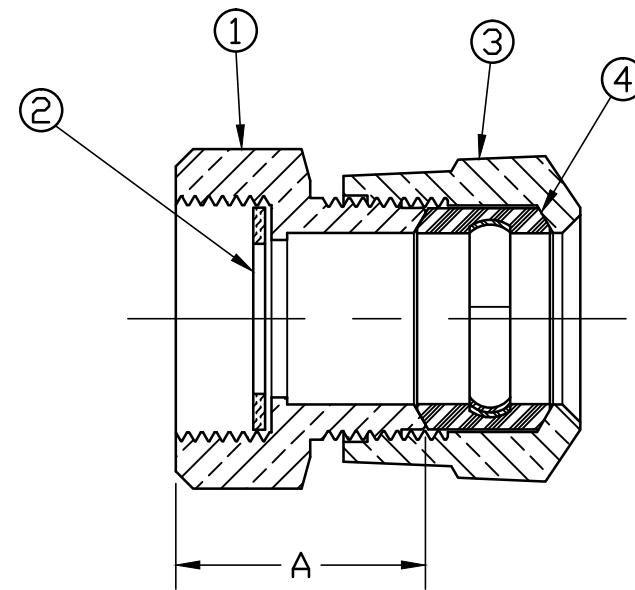


No.	DESCRIPTION	MATERIAL
1	SPUD	CAST LOW LEAD BRASS ALLOY
2	FIBER GASKET	ASTM D170 VULCANIZED FIBER
3	CONN. NUT	CAST BRASS ASTM B62 ALLOY C83600
3	CTS GSKT SUB	SBR D2000 - GSKT 410ss - BAND



SIZE	A
1/2" x 3/4"	1.58
5/8" x 3/4"	1.58
3/4"	1.30
1"	1.56

NOTE: ALL WETTED PARTS ARE LOW LEAD BRASS ALLOY

FILEPATH: PROD-ENG\MUELLER\ASYSUBMITTALS\H15481N

						DRFTR	RWB	11/13/13	<b>Mueller Co.</b>	UNLESS OTHERWISE NOTED THIRD ANGLE PROJECTION SURFACE PREPARATION: BREAK CORNER(S) ---- .000 SURFACE FINISH -- XX RMS TOLERANCE(S): LINEAR ----- ± .000 ANGULAR ----- ± 0°00'	REF. No.	SCALE FULL	
						CHKR							
						ENGR							
						MGR							
							BY	DATE					
								STK No:					
								MAT'L:					
								DESCR.	CORPORATION STOP LLB COUPLING (I/S MUELLER x 110 CTS)			DWG NUMBER H15481N	
								REV	ECR	DESCRIPTION	DATE	BY	CHKR
PER EST NO: DXXXX EST FIN WT = 0.0000 lbs													

TITLE TO AND OWNERSHIP OF THIS ENGINEERING DATA REMAINS IN Mueller Co. NO USE IS TO BE MADE OF THIS DATA EXCEPT AS SPECIFICALLY AUTHORIZED BY Mueller Co. ASSENT ON THE PART OF THE RECIPIENT TO THESE CONDITIONS IS PRESUMED

DWG NUMBER  
H15481N  
442-MRKTG