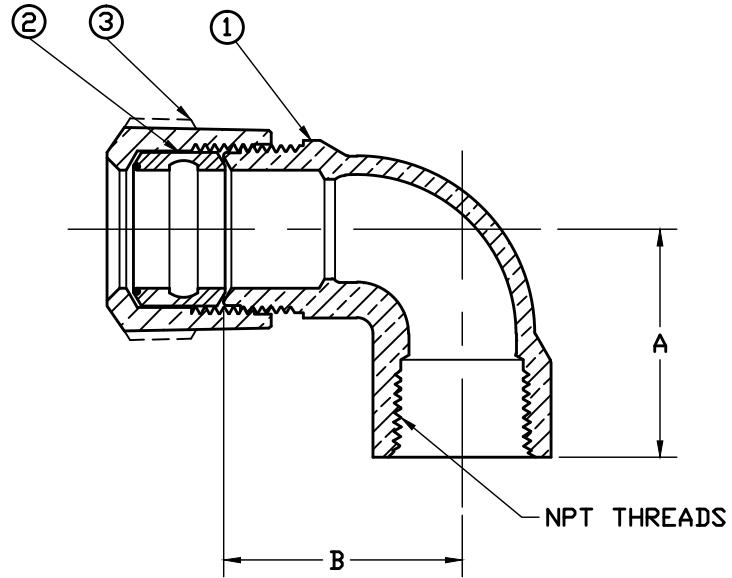


No.	DESCRIPTION	MATERIAL DESCRIPTION
1	SPUD	CAST LOW LEAD BRASS ALLOY
2	CTS GASKET SUB	ASTM D2000(SBR)&410 STAINLESS STEEL
3	CONN NUT	CAST BRASS ASTM B62 ALLOY C83600

SIZE	A	B
3/4"	1.72	1.79
1"	2.00	2.00
1 1/2"	2.38	2.75
2"	2.84	3.09



NOTE: ALL WETTED PARTS ARE LOW LEAD BRASS ALLOY

FILEPATH: PROD-ENG\MUELLER\ASYSUBMITTALS\H15533N

						DRFTR JGarvin 9/17/09	Mueller Co.	UNLESS OTHERWISE NOTED THIRD ANGLE PROJECTION SURFACE PREPARATION: BREAK CORNER(S) ---- .000 SURFACE FINISH --XX RMS TOLERANCE(S): LINEAR ----- ± .000 ANGULAR ----- ± 0°00'	REF. No.	SCALE FULL
						CHKR				
						ENGR				
						MGR				
						BY	DATE			
						STK No				
						MAT'L:				
REV	ECR	DESCRIPTION	DATE	BY	CHKR	DESCR.	QUARTER BEND SERVICE FITTING LOW LEAD BRASS (110CTS x FIP)		PART NUMBER H15533N	
PER EST NO: DXXXX						EST FIN WT = 0.0000 lbs				

PART NUMBER
H15533N
442-MRKTG