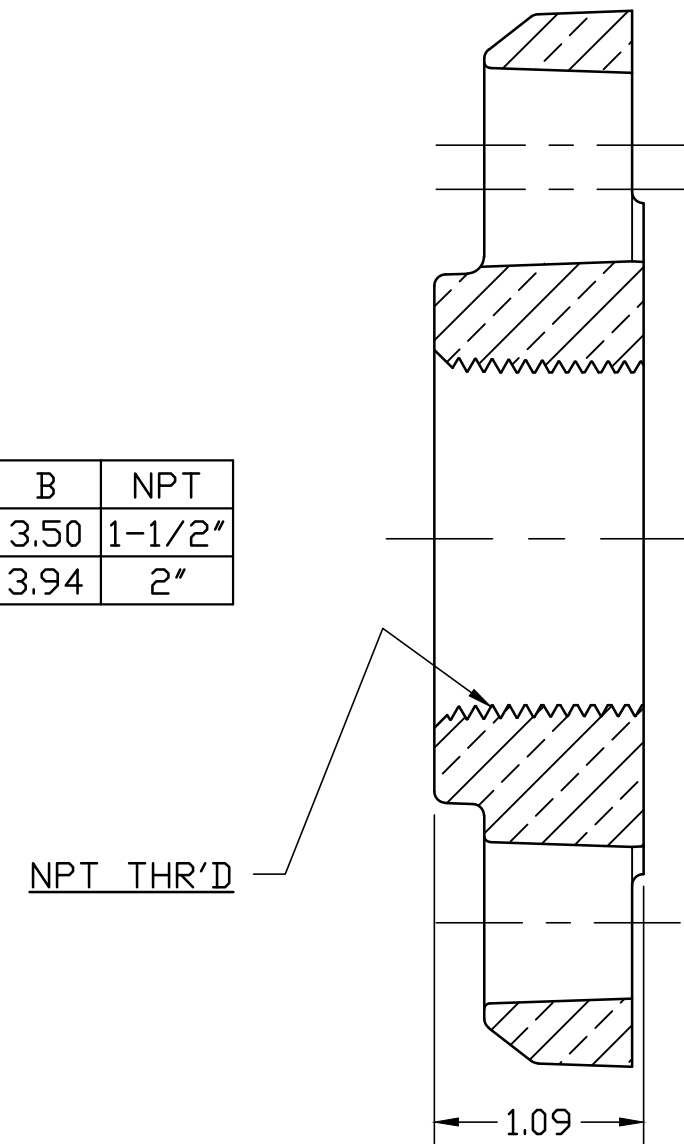


SIZE	A	B	NPT
1 1/2"	5.50	3.50	1-1/2"
2"	6.00	3.94	2"



NOTE: ALL WETTED PARTS ARE LOW LEAD BRASS ALLOY

FILEPATH: PROD-ENG\MUELLER\ASYSUBMITTALS\H10129N

DRFTR	RWB	2/12/10	Mueller Co.				
CHKR							
ENGR							
MGR							
			UNLESS OTHERWISE NOTED	THIRD ANGLE PROJECTION			
			SURFACE PREPARATION:				
			BREAK CORNER(S) ----- .000	REF. No.			
			SURFACE FINISH -- XX RMS	SCALE			
			TOLERANCE(S):	FULL			
			LINEAR ----- ± .000				
			ANGULAR ----- ± 0°00'				
			STK No:				
			MAT'L:	CAST LOW LEAD BRASS ALLOY C89833			
REV	ECR	DESCRIPTION	DATE	BY	CHKR	DESCR.	DWG NUMBER
						1-1/2" & 2" FLANGE WATER METER - LLB	H10129N
PER EST NO: DXXXX						EST FIN WT = 0.0000 lbs	

DWG NUMBER
H10129N
442-MRKTG

TITLE TO AND OWNERSHIP OF THIS ENGINEERING DATA REMAINS IN Mueller Co. NO USE IS TO BE MADE OF THIS DATA EXCEPT AS SPECIFICALLY AUTHORIZED BY Mueller Co. ASSENT ON THE PART OF THE RECIPIENT TO THESE CONDITIONS IS PRESUMED