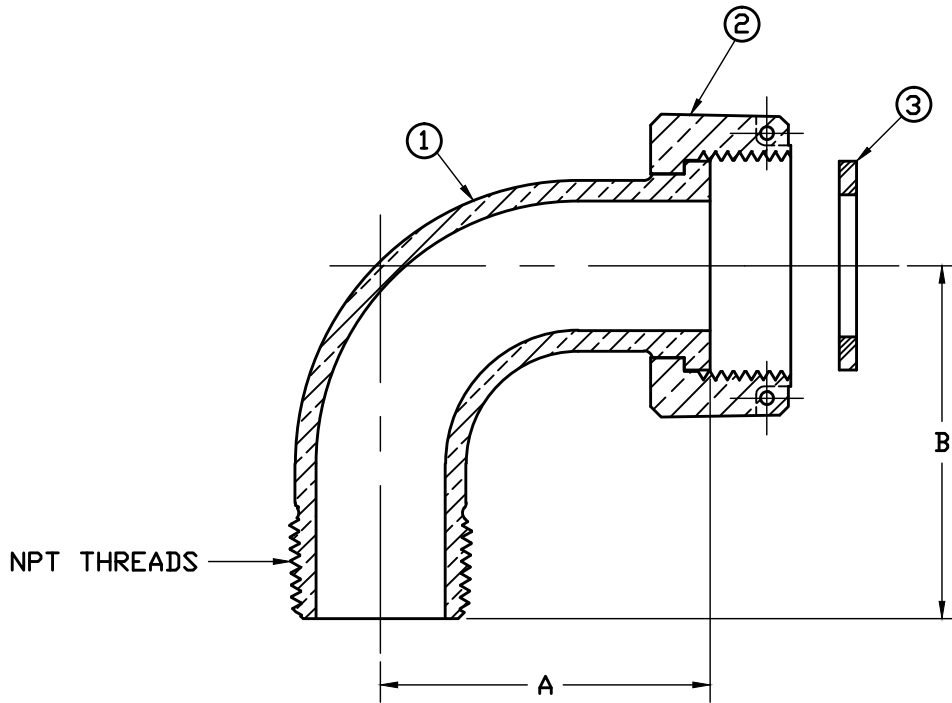


No.	QTY	DESCRIPTION	MATERIAL
1	1	SPUD	CAST LOW LEAD BRASS ALLOY
2	1	MTR NUT	CAST BRASS ASTM B62 ALLOY C83600
3	1	GASKET	NITRILE ASTM D2000



SIZE	A	B
5/8" x 1/2"	2.03	2.64
5/8"x3/4"x3/4"	2.06	2.79
1"	2.39	2.56

NOTE: ALL WETTED PARTS ARE LOW LEAD BRASS ALLOY

FILEPATH: PROD-ENG\MUELLER\ASYSUBMITTALS\H10892N

						DRFTR	RWB	12/21/09	<b>Mueller Co.</b>	
						CHKR				
						ENGR				
						MGR				
							BY	DATE	UNLESS OTHERWISE NOTED	
									THIRD ANGLE PROJECTION	
									SURFACE PREPARATION:	
									BREAK CORNER(S) ---- .000	
									SURFACE FINISH -- XX RMS	
									TOLERANCE(S):	
									LINEAR ----- ± .000	
									ANGULAR ----- ± 0°00'	
									STK No:	
									MAT'L:	
									DESCR.	
									QUARTER BEND METER COUPLING	
									LOW LEAD BRASS (MIP x MTR)	
									PART NUMBER	
									H10892N	

PART NUMBER  
H10892N  
442-MRKTNG

PER EST NO: DXXXX EST FIN WT = 0.0000 lbs