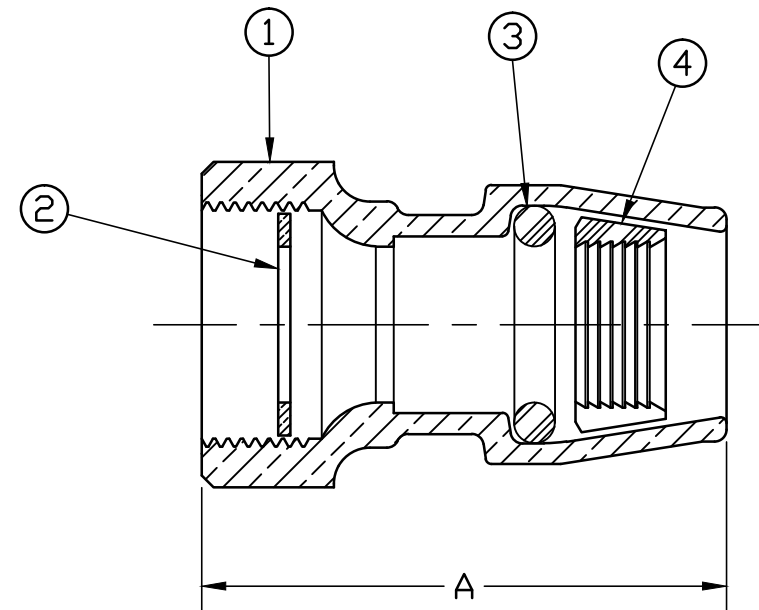


No.	DESCRIPTION	MATERIAL
1	BODY	CAST LOW LEAD BRASS ALLOY
2	COPPER GASKET	COPPER ASTM B152 ALLOY C11000
3	O-RING	ASTM D2000 (EP)
4	GRIP RING	CELCON M90 (RED) CF2001



SIZE	A
3/4	2.734
1	3.109

NOTE: ALL WETTED PARTS ARE LOW LEAD BRASS ALLOY

FILEPATH: PROD-ENG\MUELLER\ASYSUBMITTALS\H15074N

						DRFTR	RWB	3/17/14	Mueller Co.				
						CHKR							
						ENGR							
						MGR							
									UNLESS OTHERWISE NOTED	THIRD ANGLE PROJECTION			
									SURFACE PREPARATION:				
									BREAK CORNER(S) ----- .000				
									SURFACE FINISH -- XX RMS	REF. No.	SCALE		
									TOLERANCE(S):		NONE		
									LINEAR ----- ± .016				
									ANGULAR ----- ± 0°00'				
									STK No:				
									MAT'L:				
									DESCR.	STRAIGHT LLB SERVICE FITTING (FCS x CTS PE PLASTIC)	DWG NUMBER H15074N		
									REV	ECR	DESCRIPTION	BY	CHKR
									PER EST NO: DXXXX EST FIN WT = 0.0000 lbs				

DWG NUMBER
H15074N
442-MRKTG

TITLE TO AND OWNERSHIP OF THIS ENGINEERING
DATA REMAINS IN Mueller Co. NO USE IS TO BE
MADE OF THIS DATA EXCEPT AS SPECIFICALLY
AUTHORIZED BY Mueller Co. ASSENT ON THE PART
OF THE RECIPIENT TO THESE CONDITIONS IS PRESUMED