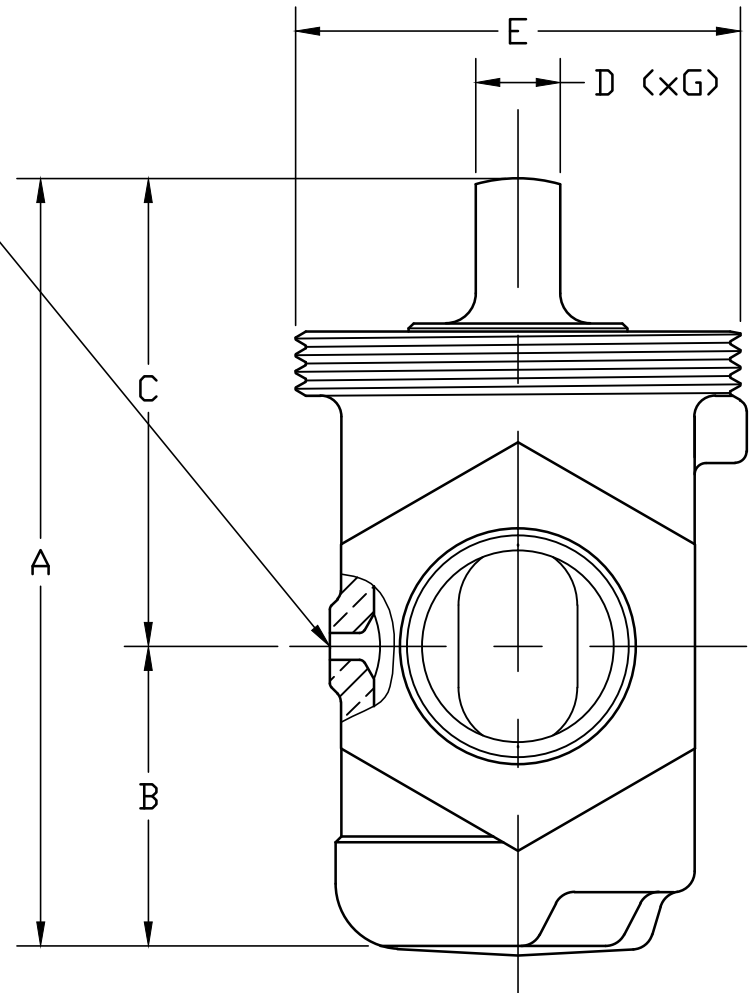
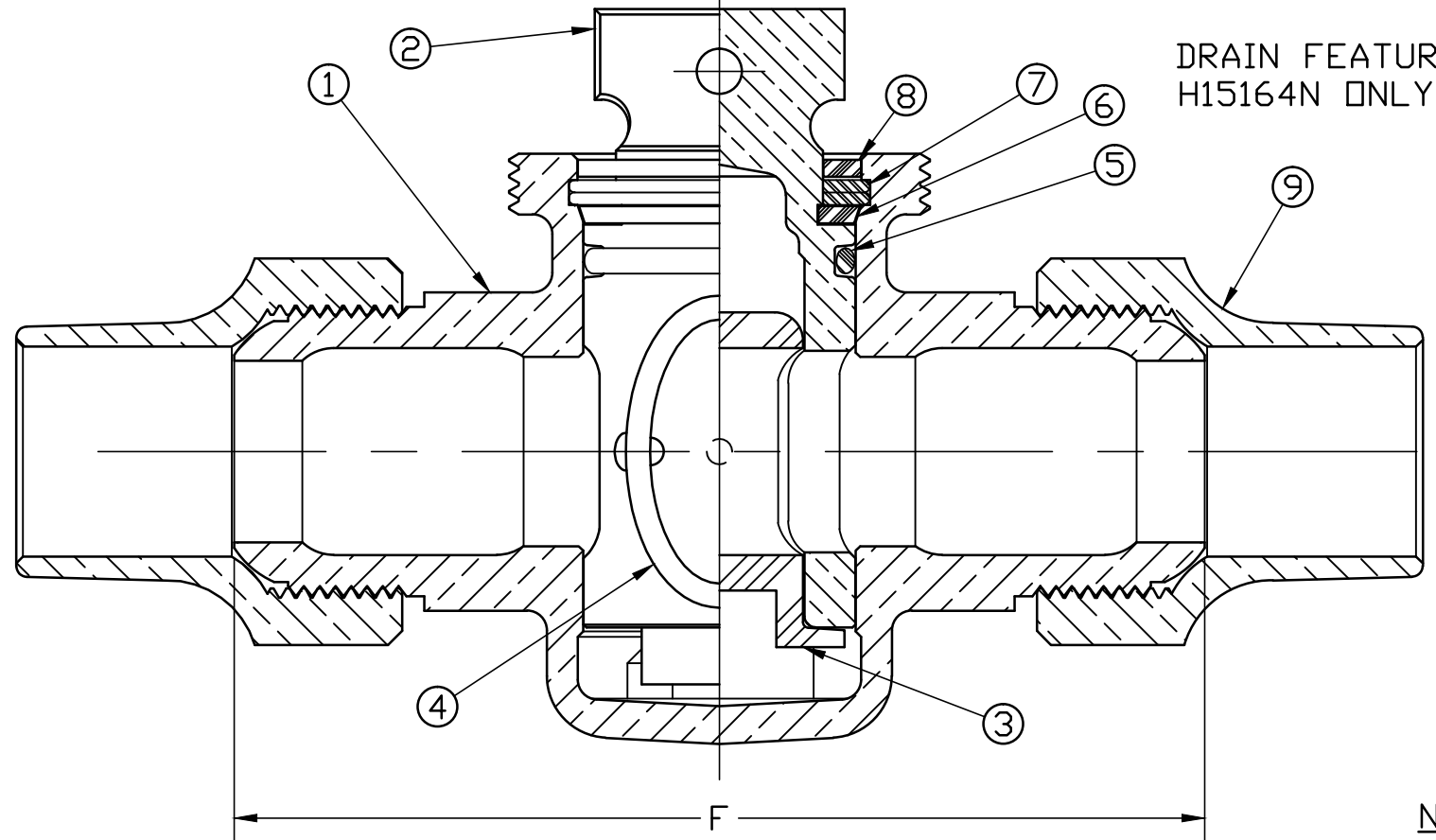


No.	DESCRIPTION	MATERIAL
1	BODY	CAST LOW LEAD BRASS ALLOY
2	KEY	CAST LOW LEAD BRASS ALLOY
3	KEY INSERT	CYCOLACL ASTM D1788-62T TYPE 1 GR 1
4	PORT O-RING	RUBBER
5	TOP O-RING	RUBBER
6	THRUST WASHER	CELCON GRADE M90-04
7	RETAINING RING	PHOSPHOR BRONZE ASTM B103
8	TOP SEAL	RUBBER
9	COUPLING NUT	CAST BRASS ASTM B62 ALLOY C83600

SIZE	A	B	C	D	E	F	G
3/4"	3.45	1.34	2.11	.44	1.848-11 1/2	4.56	1.12
1"	4.00	1.56	2.44	.50	2.316-11 1/2	5.34	1.38
1 1/4"	4.38	1.73	2.64	.53	2.798-8	6.59	1.62
1 1/2"	5.51	2.09	3.42	.53	3.401-8	7.16	1.88
2"	6.05	2.34	3.70	.56	3.893-8	8.84	2.00



NOTE: ALL WETTED PARTS ARE LOW LEAD BRASS ALLOY

FILEPATH: PROD-ENG\MUELLER\ASYSUBMITTALS\H15154N(H15164N)

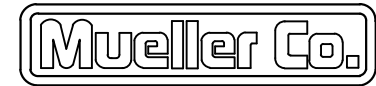
DRAIN	NO	YES
	NO	YES
DWG NUMBER	H-15154N	H-15164N

442-MRKTG

TITLE TO AND OWNERSHIP OF THIS ENGINEERING DATA REMAINS IN Mueller Co. NO USE IS TO BE MADE OF THIS DATA EXCEPT AS SPECIFICALLY AUTHORIZED BY Mueller Co. ASSENT ON THE PART OF THE RECIPIENT TO THESE CONDITIONS IS PRESUMED

DRFTR	RWB	10/14/13
CHKR		
ENGR		
MGR		
BY	DATE	
STK No:		
MAT'L:		
DESCR.	MARK II DRISEAL LLB VALVE CS x CS	
REV	ECR	DESCRIPTION
		DATE
		BY
		CHKR

PER EST NO:	DXXXX	EST FIN WT = 0.0000 lbs
-------------	-------	-------------------------



UNLESS OTHERWISE NOTED  
 SURFACE PREPARATION:  
 BREAK CORNER(S) ----- .000  
 SURFACE FINISH -- XX RMS  
 TOLERANCE(S):  
 LINEAR ----- ± .000  
 ANGULAR ----- ± 0°00'

THIRD ANGLE PROJECTION  
  
 REF. No. SCALE  
 FULL

DWG NUMBER  
 H15154N