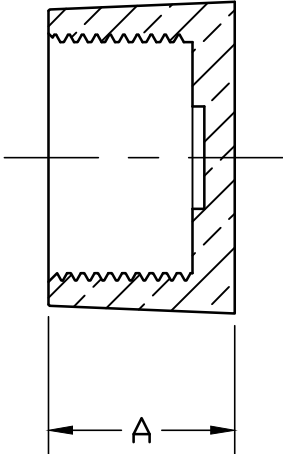
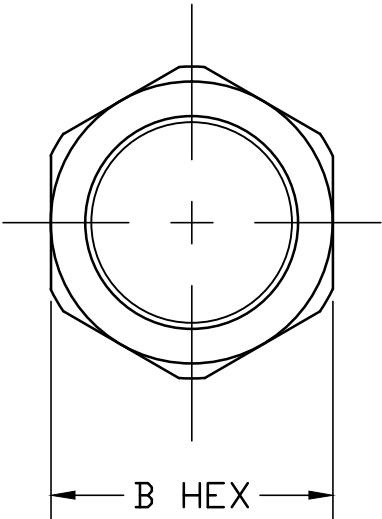



DWG NUMBER
H15540

SIZE	A	B
3/4"	.969	1.469
1"	1.062	1.875
1-1/2"	1.438	2.750
2"	1.938	3.562



FILEPATH: PRODD-ENG\MUELLER\ASYSUBMITTALS\H15540

WAS EXP NO:

						DRFTR	RWB	7/11/16			
						CHKR					
						ENGR					
						MGR					
							BY	DATE	UNLESS OTHERWISE NOTED SURFACE PREPARATION: BREAK CORNER(S) ---- .000 SURFACE FINISH -- 000 RMS TOLERANCE(S): LINEAR ----- ± .000 ANGULAR ----- ± 0°00'		
											THIRD ANGLE PROJECTION
										REF. No.	SCALE
											FULL
									STK No:		
									MAT'L:	CAST LOW LEAD BRASS ALLOY	
									DESCR.	LLB BRASS CAP	
REV	ECR	DESCRIPTION	DATE	BY	CHKR					DWG NUMBER	H15540
PER EST NO: DXXXX EST FIN WT = 0.00000 lbs											