

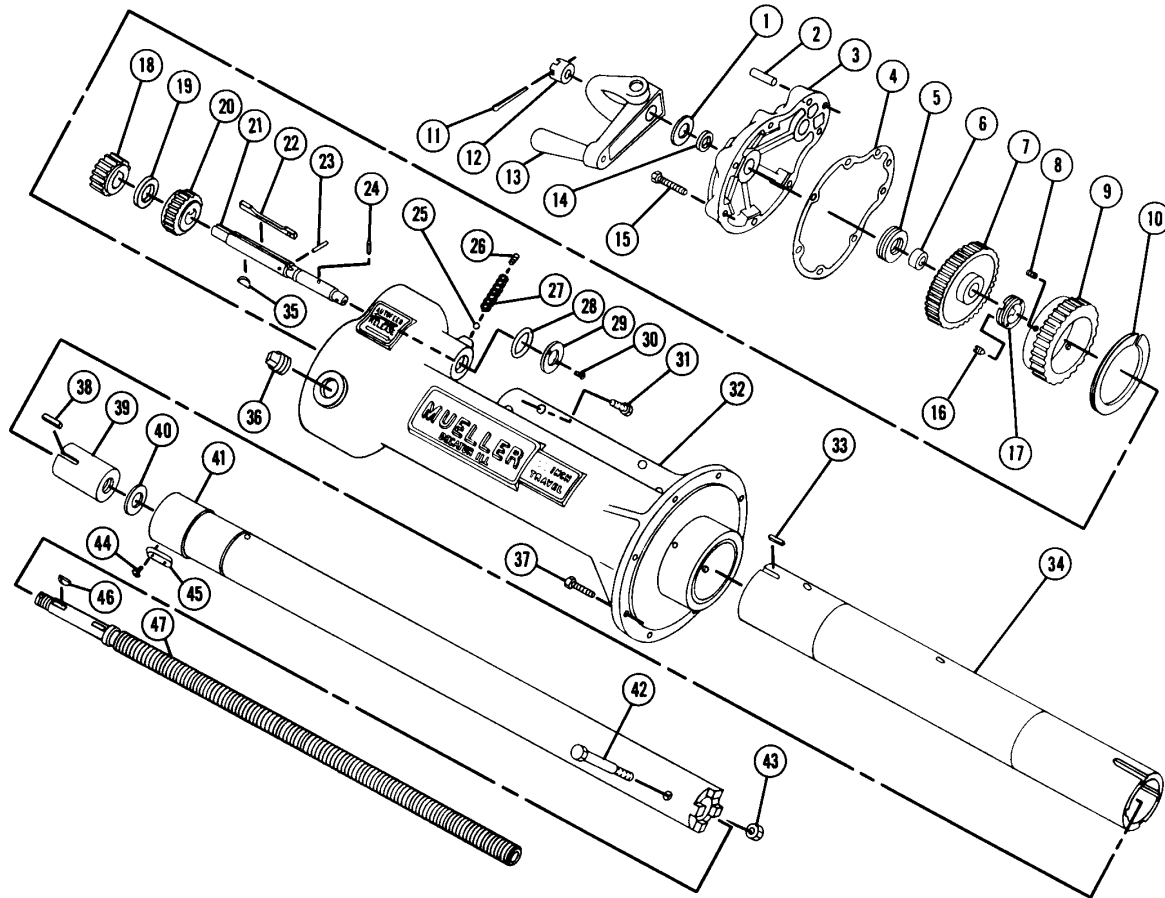
NOTE: These illustrations are for parts identification only. DO NOT use these illustrations for assembly or disassembly of machine. Mueller Co. offers a machine repair service. Contact Mueller® Customer Service Center for details.

THE "CC-25" MACHINE IS NO LONGER AVAILABLE; UNTIL FURTHER NOTICE, MUELLER WILL CONTINUE TO PROVIDE SPARE PARTS FOR THIS PRODUCT. CONTACT YOUR MUELLER REPRESENTATIVE ABOUT OTHER MACHINES THAT PERFORM WITHIN THE SPECIFICATIONS OF THIS MACHINE.

Item No.	Part Number	Part Name	Item No.	Part Number	Part Name	Item No.	Part Number	Part Name
1	52207	Screw	13	63842	Thrust washer	25	54426	Thrust washer
2	46029	Nut	14	508431	Oil seal	26	63844	Bevel gear
3	63851	Plate	15	90472	Set screw	27	54467	Key
4	56039	Spring screw	16	63846	Eyebolt plug	28	55609	Gasket
5	56774	Spring	17	55449	Gasket	29	56682	Bolt & nut
6	581959	Dog	18	508430	Boring bar seal	30	55409	Washer
7	57655	Body	19	45115	Packing ring	31	508428	Drive box
8	56632	Handlebar	20	98000	Spring	32	508429	Drive box seal
9	88148	Handle complete	21	47092	Rollpin	33	508427	Seal retainer & spacer
10	55790	Wheel	22	501151	Packing gland	34	44245	Convex follower
11	92754	Allen screw	23	501158	Wiper ring	35	52162	Gland seal
12	63848	Collar	24	55098	Cap screw	36	63845	Bevel pin

TO ORDER SPECIFY QUANTITY, PART NUMBER AND PART NAME (include catalog number and model number of machine).

Rev. 4-01 Shaded area indicates changes

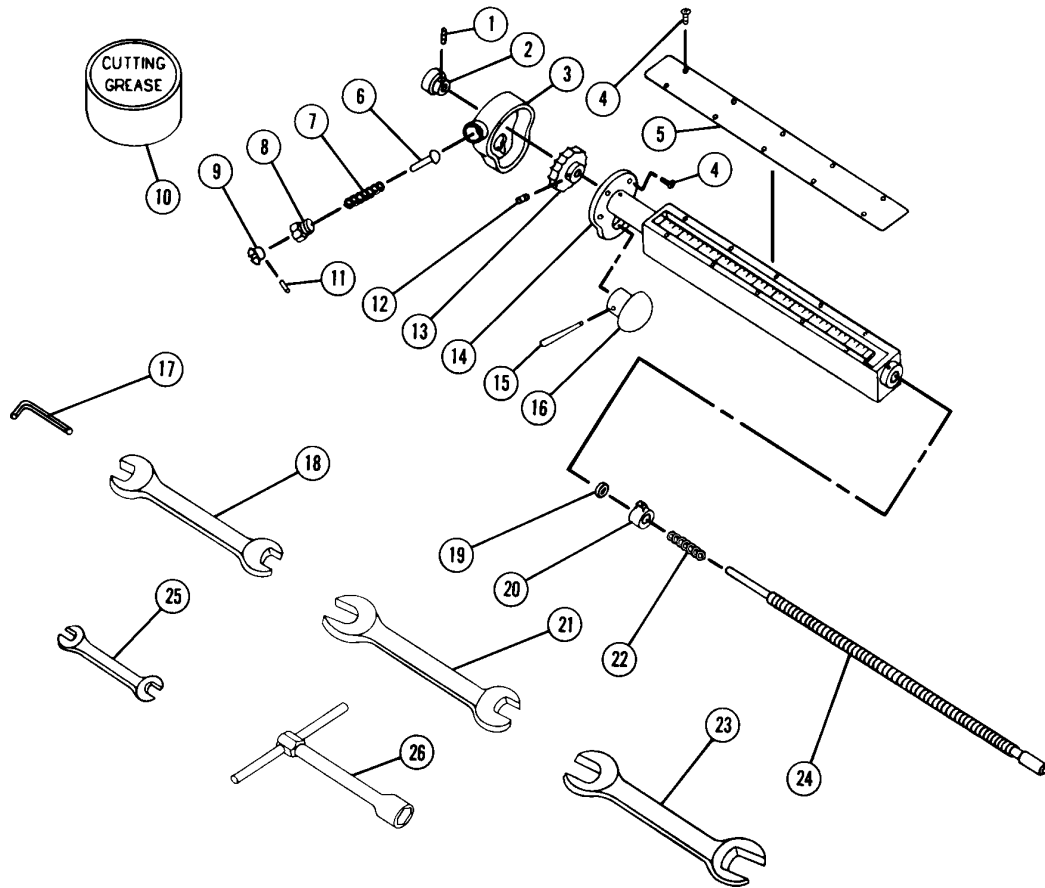


NOTE: These illustrations are for parts identification only. DO NOT use these illustrations for assembly or disassembly of machine. Mueller Co. offers a machine repair service. Contact Mueller® Customer Service Center for details.

THE "CC-25" MACHINE IS NO LONGER AVAILABLE; UNTIL FURTHER NOTICE, MUELLER WILL CONTINUE TO PROVIDE SPARE PARTS FOR THIS PRODUCT. CONTACT YOUR MUELLER REPRESENTATIVE ABOUT OTHER MACHINES THAT PERFORM WITHIN THE SPECIFICATIONS OF THIS MACHINE.

Item No.	Part Number	Part Name	Item No.	Part Number	Part Name	Item No.	Part Number	Part Name
1	33090	Thrust washer	17	54433	Lock nut	33	54466	Key
2	54545	Dowel	18	55446	Idler pinion	34	55561	Drive tube
3	508433	Rear cover	19	54471	Spacer	35	300190	Key
4	33080	Gasket	20	55432	Idler pinion drive	36	64134	Plug
5	55569	Thrust bearing	21	54470	Idler shaft	37	55098	Cap screw
6	54630	Washer	22	54469	Dive key	38	54445	Key
7	55567	Feed screw gear	23	63477	Pin	39	55546	Feed nut
8	98873	Set screw	24	54538	Pin	40	54418	Washer
9	55564	Drive tube feed gear	25	54702	Ball	41	89094	Boring bar
10	54425	Thrust washer	26	99022	Set screw	42	311866	Bolt
11	98928	Pin	27	55610	Spring	42	58849	Nut
12	55601	Nut	28	508434	Oil seal	44	52182	Screw
13	88150	Crank	29	508435	Oil seal retainer	45	54482	Key
14	508432	Rear cover seal	30	95257	Screw	46	98225	Key
15	504333	Screw	31	92375	Screw	47	55565	Feed screw
16	98956	Set screw	32	88199	Torque tube	-	-	-

TO ORDER SPECIFY QUANTITY, PART NUMBER AND PART NAME (include catalog number and model number of machine).



NOTE: These illustrations are for parts identification only. DO NOT use these illustrations for assembly or disassembly of machine. Mueller Co. offers a machine repair service. Contact Mueller® Customer Service Center for details.

THE "CC-25" MACHINE IS NO LONGER AVAILABLE; UNTIL FURTHER NOTICE, MUELLER WILL CONTINUE TO PROVIDE SPARE PARTS FOR THIS PRODUCT. CONTACT YOUR MUELLER REPRESENTATIVE ABOUT OTHER MACHINES THAT PERFORM WITHIN THE SPECIFICATIONS OF THIS MACHINE.

Item No.	Part Number	Part Name	Item No.	Part Number	Part Name	Item No.	Part Number	Part Name
1	99023	Set screw	10	88366	Cutting grease	19	54549	Washer
2	54551	Knob	11	56392	Pin	20	54519	Indicator nut
3	54446	Cover plate	12	97763	Set screw	21	58196	Wrench
4	37804	Screw	13	54523	Wheel	22	33083	Spring
5	33084	Shield	14	54516	Indicator body	23	55726	Wrench
6	36361	Plunger	15	53747	Knob pin	24	54517	Indicator screw
7	36362	Spring	16	54454	Knob	25	96536	Wrench
8	36360	Body	17	90322	Allen wrench	26	59839	Socket wrench
9	36359	Detent knob	18	56680	Wrench	-	-	-