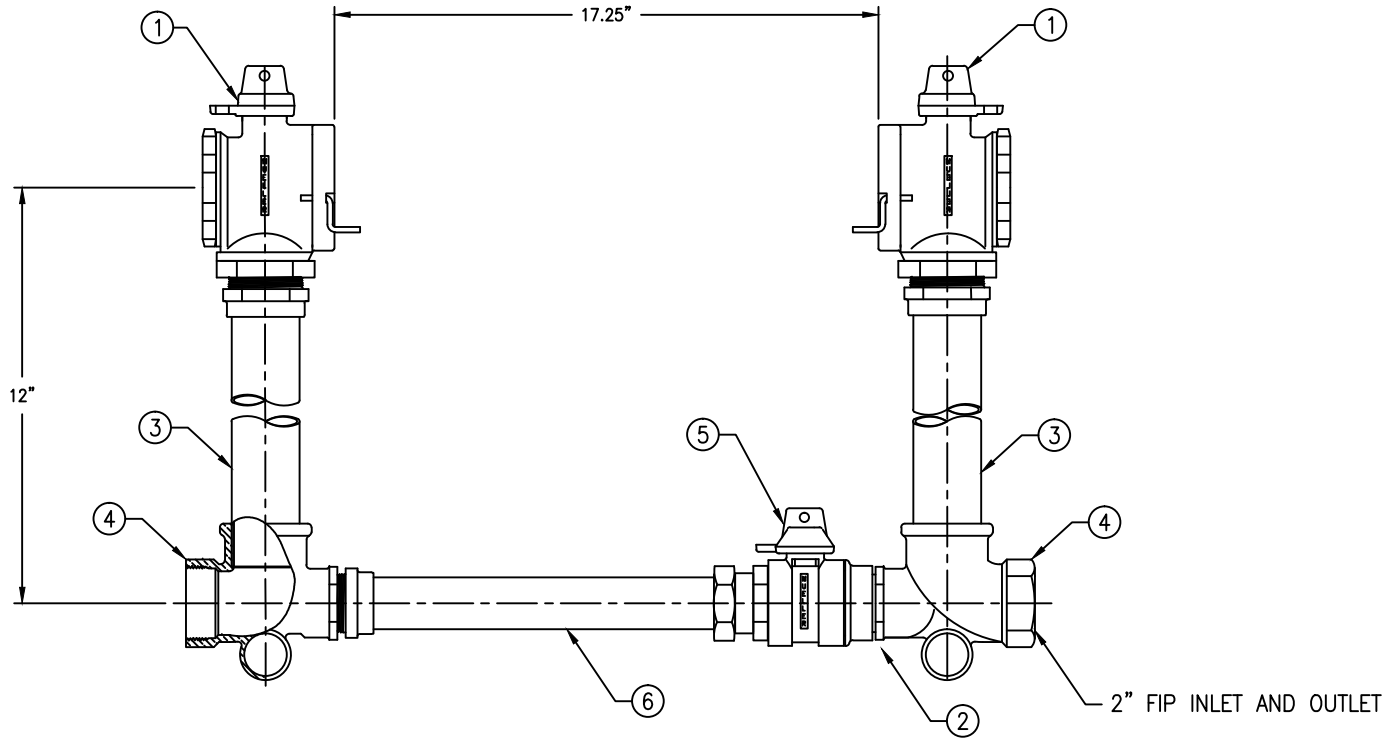


2" LOW LEAD METER SETTER			
ITEM	PART NO.	DESCRIPTION	QTY.
1	550B2428601N	2" LOW LEAD ANGLE BALL VALVE	2
2	047139	1" CLOSE NIPPLE BRASS	1
3	680378E	2" LOW LEAD RISER SUB ASSE	2
4	530146E	LOW LEAD TEE	2
5	330B25170N	INLINE BALL METER VALVE	1
6	682158E	BYPASS LOW LEAD SUB-ASSEMBLY	1



A/C (MILLIMETER) INCH INITIAL RELEASE DRFT'R ANC 12/22/2014 CHK'R APP E.O. NUMBER	TOLERANCES - MACHINING UNLESS OTHERWISE NOTED BREAK EDGES MACH. .006/.016		THIRD ANGLE PROJECTION 		
	FINISH SURFACES 125		PURCH.	FINISH	
	FRACTIONS $\pm 1/64$	DECIMALS 2 PL $\pm .025$ 3 PL $\pm .005$	ANGLES $\pm 1'$	REF. NO.	SCALE NONE
			MAT'L	STK. NO.	
DESC. LOW LEAD COPPER METER YOKES HORIZONTAL INLET & OUTLET W/ BYPASS		REVISION	NUMBER 105B2423-----N		
				SHEET 1 OF 1	

105B2423-----N

REV.	DESCRIPTION	REF.	DRFT'R	CHK'R	APP	DATE