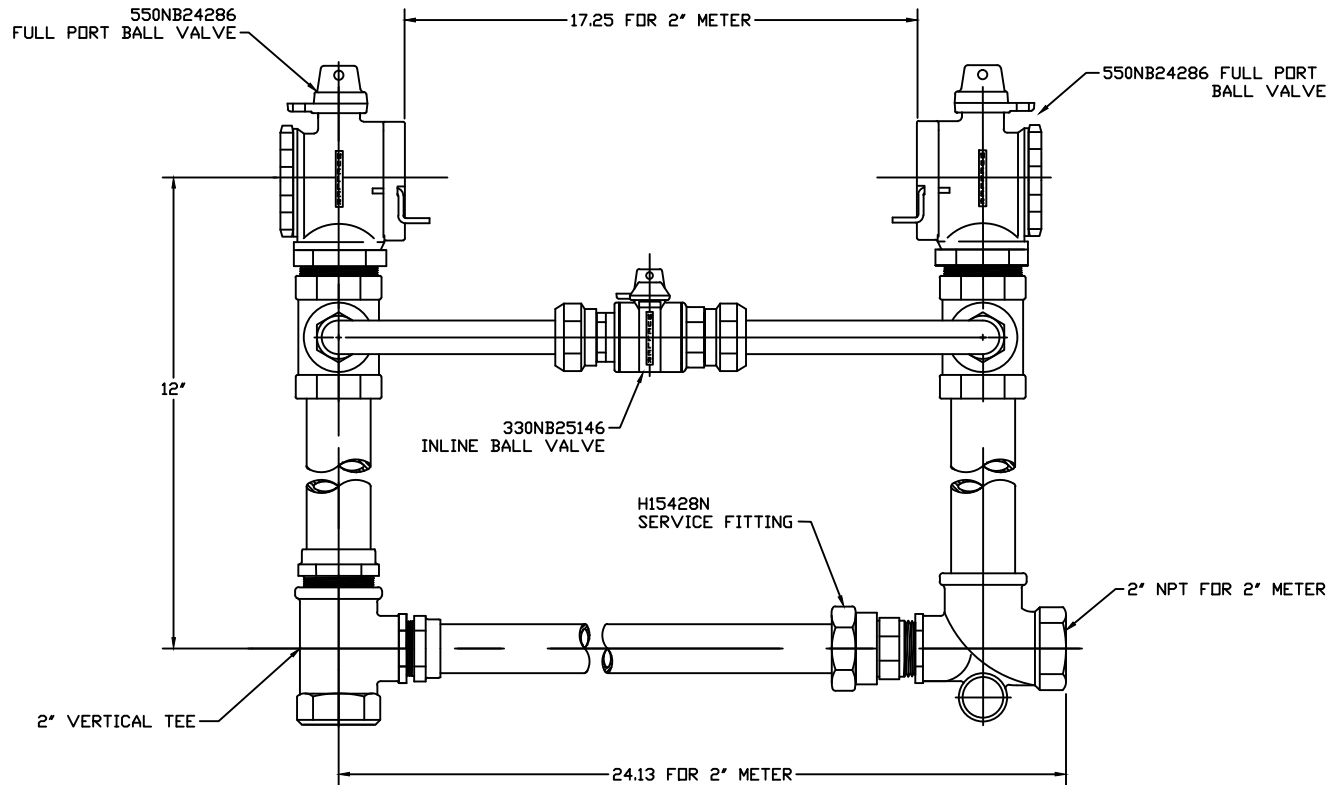


105B2428-----01N



DRFT'R	JCJ	6-14-11	THIRD ANGLE PROJECTION	REF. NO.	SCALE
CHK'R					NTS
E.O. NUMBER				STOCK No.	
			DESCR. 2" COPPER METER YOKE W/ VERTICAL INLET & HORIZONTAL OUTLET AND TOP BYPASS	REV.	NUMBER
					105B2428-----01N
				SHEET 1 OF 1	

ECD: 1565361

REV.	DESCRIPTION	REF.	DRFT'R	CHK'R	APP	DATE