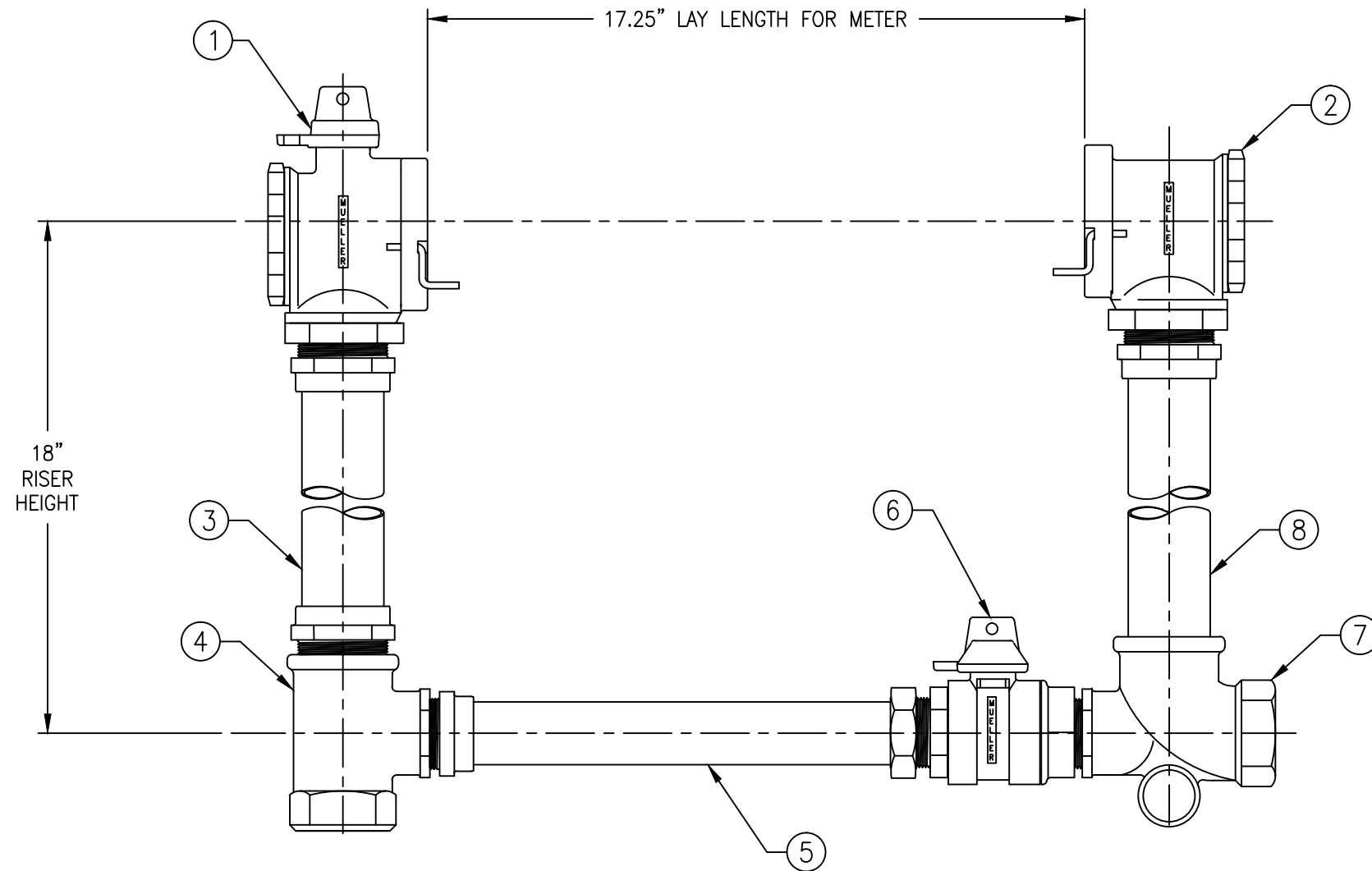


2" METER SETTER			
ITEM	PART NO.	DESCRIPTION	QTY.
1	550NB2428601	2" ANGLE BALL VALVE	1
2	550NH14244	2" ANGLE CHECK VALVE	1
3	682065E	2" RISER SUB ASSEMBLY	1
4	790159E	TEE - 2" x 2" x 1-1/2" NPT	1
5	283237DE	1-1/2" BYPASS SUB-ASSEMBLY	1
6	500NB25170	1-1/2" INLINE BALL METER VALVE	1
7	508448E	TEE - 2" x 1-1/2" NPT	1
8	680380E	2" RISER SUB ASSEMBLY	1



106B2429--2---N

REV.	DESCRIPTION	REF.	DRFT'R	CHK'R	APP	DATE

ECO: 1567691

A/C (MILLIMETER) INCH INITIAL RELEASE DRFT'R JCJ 7-19-11 CHK'R APP E.O. NUMBER	TOLERANCES - MACHINING UNLESS OTHERWISE NOTED BREAK EDGES MACH. .006/.016 FINISH SURFACES 125 $\sqrt{\quad}$	THIRD ANGLE PROJECTION PURCH. FINISH REF. NO. SCALE NONE STK. NO.
	FRACTIONS $\pm 1/64$ DECIMALS 2 PL $\pm .025$ 3 PL $\pm .005$ ANGLES $\pm 1^\circ$	MAT'L. DESCR. 2x18 COPPER METER YOKES REVISION NUMBER 106B2429--2---N SHEET 1 OF 1

