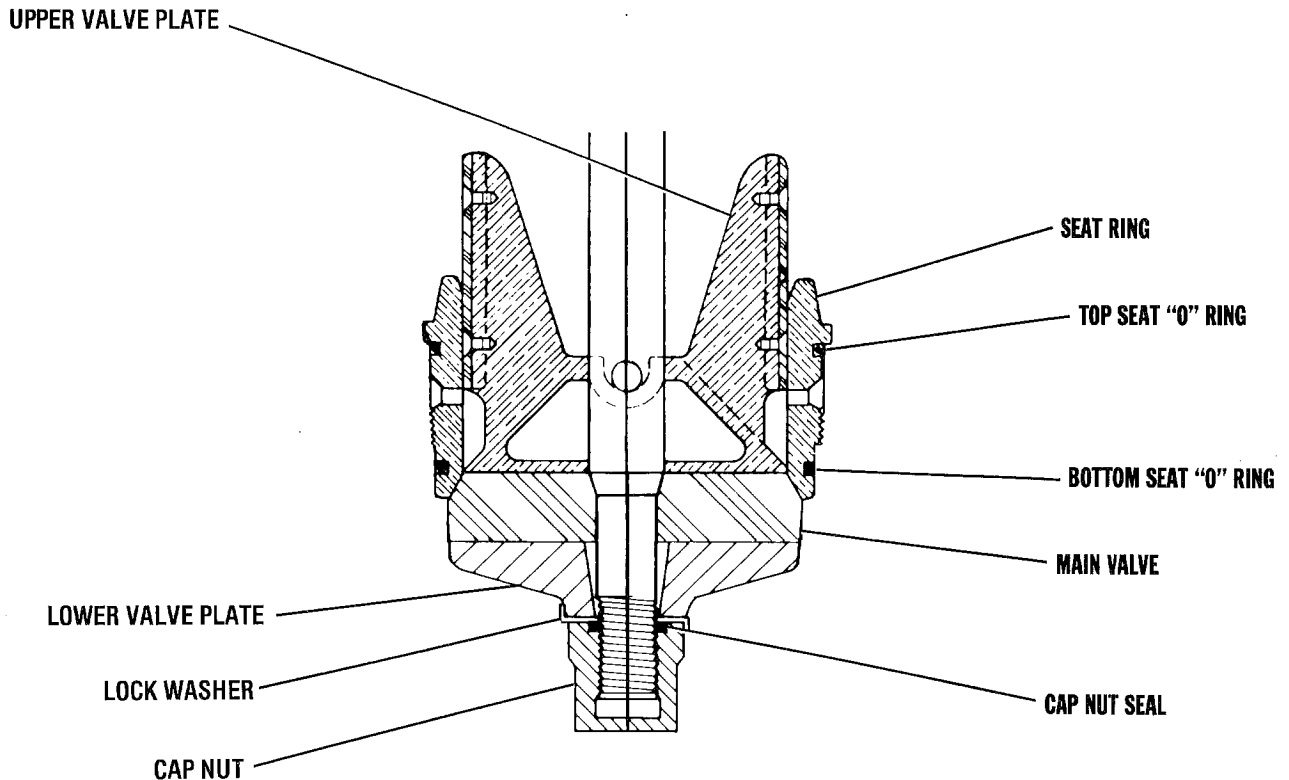


MAIN VALVE REPAIR KIT

MUELLER®
Centurion®
Fire Hydrants



Bold items are included in Kit.

CAUTION: In order to properly identify the various "O" rings and gaskets included in this kit, carefully observe the locations and relative sizes of "O" rings and gaskets as you remove parts from the hydrant. As old "O" rings and gaskets are removed, match them up with the new ones by comparing sizes.

1. With Main Valve removed from hydrant, straighten Lock Washer and remove Cap Nut, Cap Nut Seal and Lock Washer. (Flatten Lock Washer and retain for later use.)

2. Remove Lower Valve Plate and Main Valve.

3. Remove Seat Ring.

4. Install Top and Bottom Seat Ring "O" Rings on new Seat Ring. **CAUTION:** "O" Rings are different sizes. Top Seat Ring "O" Ring is identified by a white dot.

5. Slide Seat Ring onto Upper Valve Plate. Be sure the two wings on the Upper Valve Plate engage the two slots in the Seat Ring. (See illustration for proper orientation of Seat Ring.)

6. Install new Main Valve and reinstall Lower Valve Plate and Lock Washer.

7. Lubricate threaded surfaces. Reinstall Cap Nut Seal and Cap Nut. Tighten the Cap Nut to 75 ft. lbs. on 4½" hydrants; 100 ft. lbs. on 5¼" hydrants.

8. Bend edge of Lock Washer over one flat of Cap Nut and over flat on Lower Valve Plate.

9. Lubricate "O" rings and threads on Seat Ring and reinstall the Main Valve assembly.