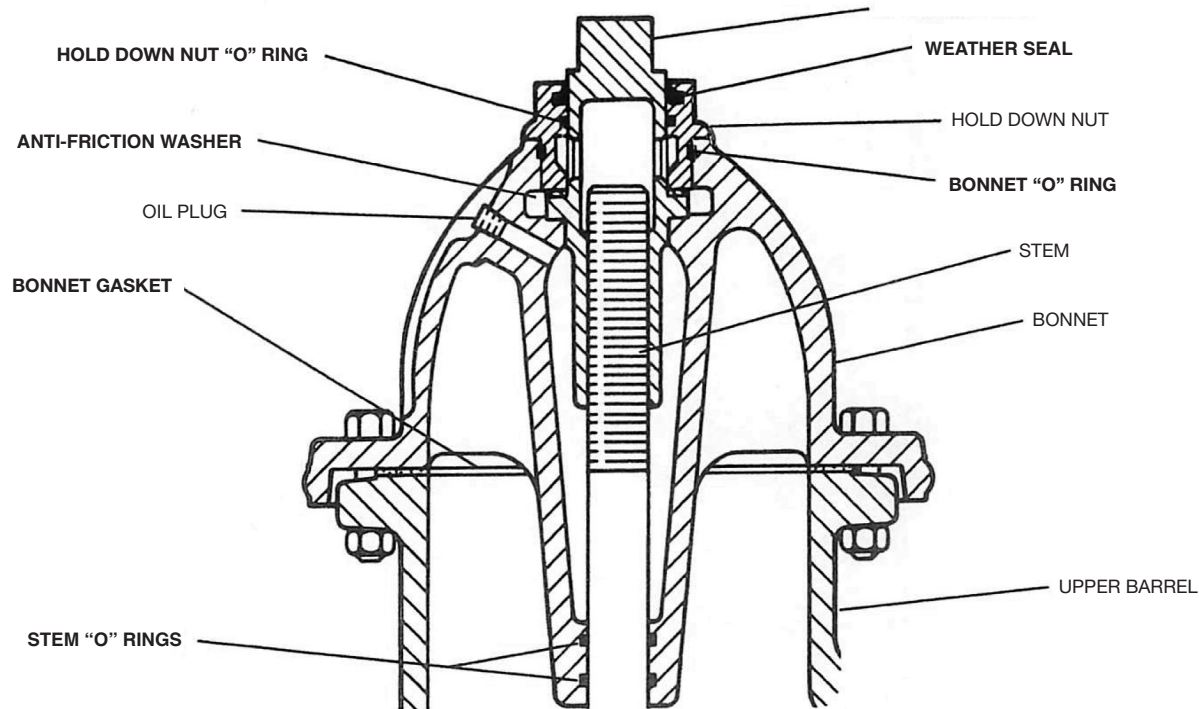


### Bonnet Repair Kit For Hydrants Built 1988 - Present



**Bold items are included in kit.**

**NOTE:** Brass Sleeve A-366 will be required to remove the Bonnet in order to replace the two Stem "O" Rings (A-12).

**CAUTION:** In order to properly identify the various "O" rings and gaskets included in this kit, carefully observe the locations and relative sizes of "O" rings and gaskets as you remove parts from the hydrant. As old "O" rings and gaskets are removed, match them up with the new ones by comparing sizes.

1. Remove Hold Down Nut (lefthand threads on hydrants which open left).
2. Remove Operating Nut and discard old Anti-Friction Washer.
3. Lubricate outside surface of Brass Sleeve (A-366) and slide it down over threaded end of stem. (The sleeve protects the Stem "O" Rings in the next step.)
4. Unbolt Bonnet and remove. Empty oil from Bonnet.
5. Remove Bonnet gasket.
6. Replace two Stem "O" Rings from lower area of Bonnet. Replace with new Stem "O" Rings from kit.
7. Re-lubricate outside surface of Brass Sleeve (A-366) and place over threaded end of Stems.
8. Place new Bonnet Gasket on upper barrel.

9. Place Bonnet onto Upper Barrel and install Bolts and Nuts finger tight.
10. Remove Brass Sleeve.
11. Reinstall Operating Nut. Drop new Anti-Friction Washer into place on Operating Nut.
12. Remove Oil Plug and fill oil reservoir with Mueller Hydrant Lubricant until oil level reaches bottom of plug. Replace Oil Plug.
13. Install new Hold Down Nut "O" Ring and new Weather seal on inside of Hold Down Nut.
14. Install New Bonnet "O" Ring on outside of Hold Down Nut and reinstall Hold Down Nut.
15. Tighten Bonnet bolts. To check Bonnet Gasket seal, open one hose cap slightly. Open hydrant until barrel fills with water, tighten hose cap, open hydrant fully. Check gasket for leakage, then turn Operating Nut to fully closed position. Back off 1/4 turn to relieve tension on operating mechanism.

**Phone: (800) 423-1323**

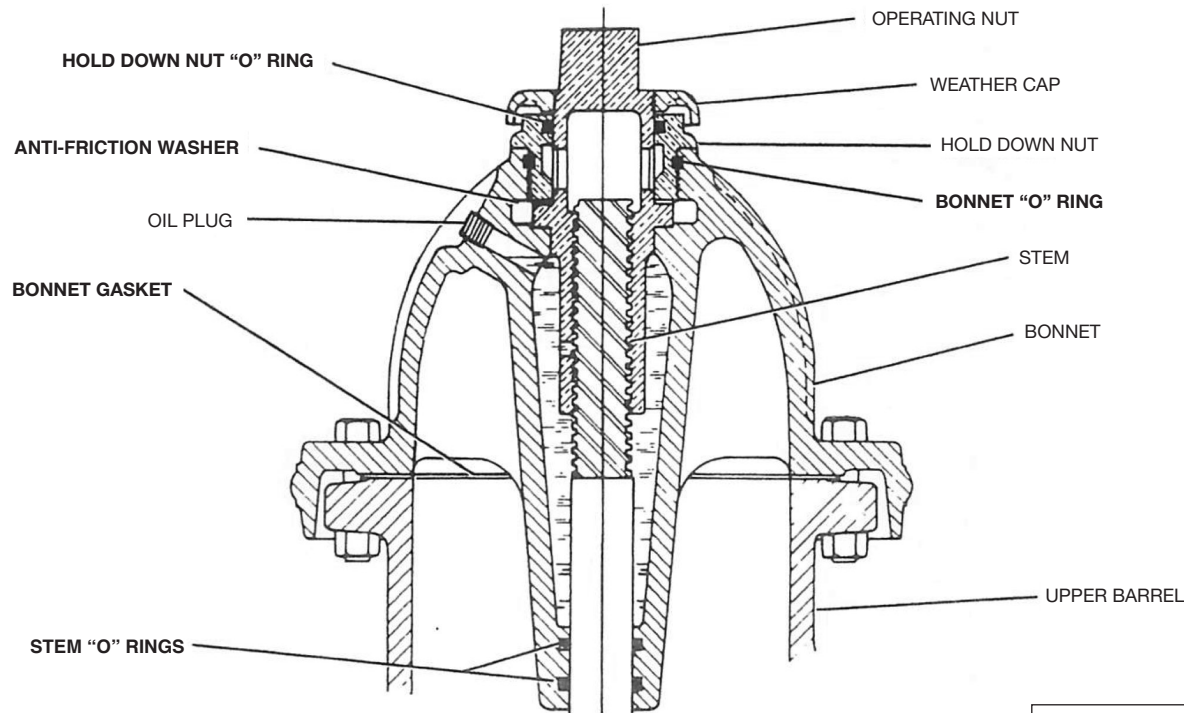
By deviating from the above listed instructions, you will void any product warranty and release Mueller Co. and its affiliated entities from any and all liability associated with the installation or use of this product. For details on the product's warranty, terms, and conditions, please visit [www.muellercompany.com](http://www.muellercompany.com).

© 2016 Mueller Co., LLC. All rights reserved.

Form 11089 06/16

### Bonnet Repair Kit

For Centurion Hydrants Built Prior to 1988 and Hydrants After 1988 with Weather Cap Option



**Bold items are included in kit.**

**NOTE:** Weather Seal supplied in kit is not used on this style of bonnet.

**NOTE:** Brass Sleeve A-366 will be required to remove the Bonnet in order to replace the two Stem "O" Rings (A-12).

**CAUTION:** In order to properly identify the various "O" rings and gaskets included in this kit, carefully observe the locations and relative sizes of "O" rings and gaskets as you remove parts from the hydrant. As old "O" rings and gaskets are removed, match them up with the new ones by comparing sizes.

1. Remove Weather Cap.
2. Remove Hold Down Nut (lefthand threads on hydrants which open left).
3. Remove Operating Nut and discard old Anti-Friction Washer.
4. Lubricate outside surface of Brass Sleeve (A-366) and slide it down over threaded end of stem. (The sleeve protects the Stem "O" Rings in the next step.)
5. Unbolt Bonnet and remove. Empty oil from Bonnet.
6. Remove Bonnet gasket.
7. Replace two Stem "O" Rings from lower area of Bonnet. Replace with new Stem "O" Rings from kit.
8. Re-lubricate outside surface of Brass Sleeve (A-366) and place over threaded end of Stems.

9. Place new Bonnet Gasket on upper barrel.
10. Place Bonnet onto Upper Barrel and install Bolts and Nuts finger tight.
11. Remove Brass Sleeve.
12. Reinstall Operating Nut. Drop new Anti-Friction Washer into place on Operating Nut.
13. Remove Oil Plug and fill oil reservoir with Mueller Hydrant Lubricant until oil level reaches bottom of plug. Replace Oil Plug.
14. Install new Hold Down Nut "O" Ring on inside of Hold Down Nut.
15. Install New Bonnet "O" Ring on outside of Hold Down Nut and reinstall Hold Down Nut.
16. Reinstall Weather Cap
17. Tighten Bonnet bolts. To check Bonnet Gasket seal, open one hose cap slightly. Open hydrant until barrel fills with water, tighten hose cap, open hydrant fully. Check gasket for leakage, then turn Operating Nut to fully closed position. Back off 1/4 turn to relieve tension on operating mechanism.

Phone: (800) 423-1323

By deviating from the above listed instructions, you will void any product warranty and release Mueller Co. and its affiliated entities from any and all liability associated with the installation or use of this product. For details on the product's warranty, terms, and conditions, please visit [www.muellercompany.com](http://www.muellercompany.com).

© 2016 Mueller Co., LLC. All rights reserved.

Form 11089 06/16