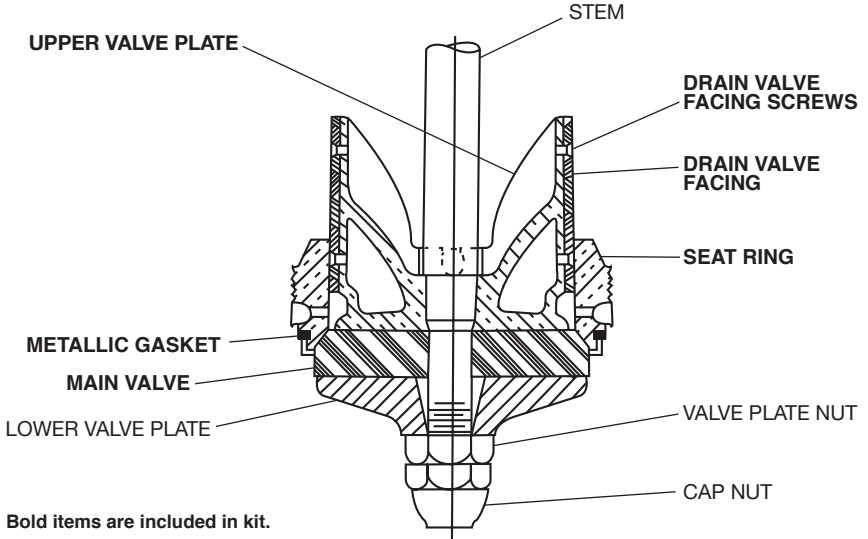




Reliable Connections™

Improved & Modern  
Improved Fire Hydrants

## Main Valve Assembly Repair Kit Instructions



**Bold items are included in kit.**

1. With Main Valve Assembly removed from hydrant, remove Cap Nut and Valve Plate Nut.
2. Remove Lower Valve Plate, Main Valve and Upper Valve Plate.
3. Remove Seat Ring.
4. Install Metallic Gasket on bottom of new Seat Ring from kit: place gasket in one side of groove in Seat Ring with seam of gasket facing outward. Working in both direction with the thumbs, push the gasket outward and toward the Seat Ring until gasket is snugly seated in groove.
5. Install Drain Valve Facings (2) using Drain Valve Facing Screws (4) on new Upper Valve Plate.
6. Assemble new Upper Valve Plate to Stem engaging pins on Stem in slots on plate.
7. Slide new Seat Ring onto Upper Valve Plate. Be sure the two wings on the Upper Valve Plate engage the two slots in the Seat Ring. (See illustration for proper orientation of Seat Ring.)
8. Install new Main Valve and reinstall Lower Valve Plate.
9. Reinstall Valve Plate Nut and Cap Nut, and tighten firmly.
10. Lubricate threads on Seat Ring and reinstall Main Valve Assembly.

**Phone: (800) 423-1323**

By deviating from the above listed instructions, you will void any product warranty and release Mueller Co. and its affiliated entities from any and all liability associated with the installation or use of this product. For details on the product's warranty, terms, and conditions, please visit [www.muellercompany.com](http://www.muellercompany.com).

© 2016 Mueller Co., LLC. All rights reserved.

Form 11090 08/16