

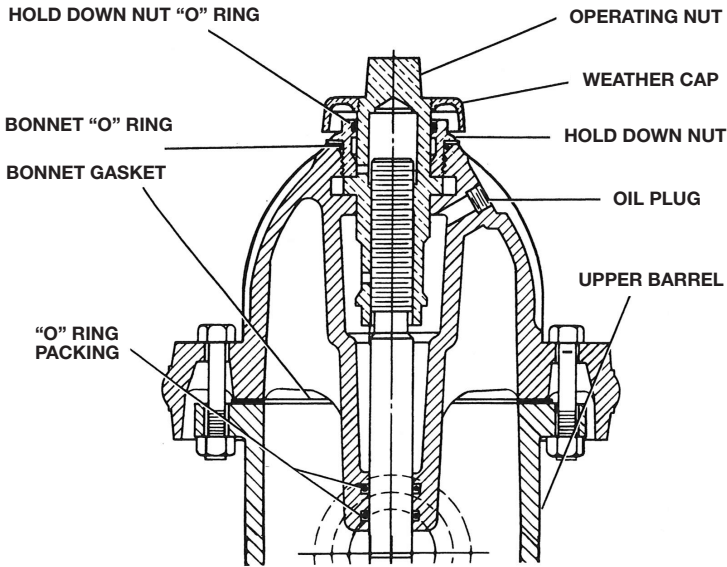


Reliable Connections™

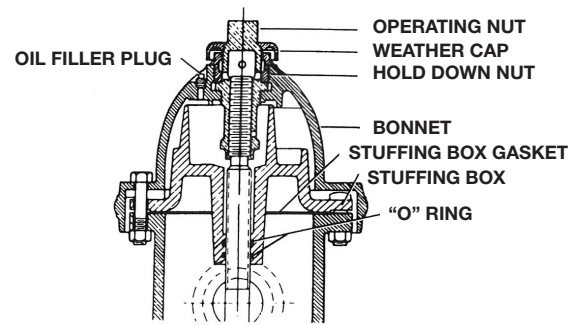
Improved Fire Hydrants
(1954 - 1980)

Bonnet Repair Kit Instructions

1962 to 1980



1954 through 1961



NOTE: Brass Sleeve A-366 will be required to remove the Bonnet in order to replace the two Packing "O" Rings (H-93).

CAUTION: In order to properly identify the various "O" rings and gaskets included in this kit, carefully observe the locations and relative sizes of "O" rings and gaskets as you remove parts from the hydrant. As old "O" rings and gaskets are removed, match them up with the new ones by comparing sizes.

1962-1980 hydrants with sealed oil reservoirs marked SR:

1. Remove Weather Cap.
2. Remove Hold Down Nut (lefthand threads on hydrants which open left).
3. Remove Operating Nut.
4. Lubricate outside surface of Brass Sleeve (A-366) and slide it down over threaded end of stem. (The sleeve protects the Packing "O" Rings in the next step.)
5. Unbolt Bonnet and remove. Empty oil from Bonnet.
6. Remove Bonnet gasket.
7. Replace two Packing "O" Rings.
8. Re-lubricate outside surface of Brass Sleeve (A-366) and place over threaded end of stem.
9. Place new Bonnet Gasket on upper barrel.
10. Place Bonnet onto Upper Barrel and install Bolts and Nuts finger tight.
11. Remove Brass Sleeve.
12. Reinstall Operating Nut
13. Remove Oil Plug and fill oil reservoir with Mueller Hydrant Lubricant until oil level reaches bottom of plug. Replace Oil Plug.
14. Install new Hold Down Nut "O" Ring on inside of Hold Down Nut.
15. Install New Bonnet "O" Ring on outside of Hold Down Nut and reinstall Hold Down Nut.

16. Reinstall Weather Cap

17. Tighten Bonnet bolts. To check Bonnet Gasket seal, open one hose cap slightly. Open hydrant until barrel fills with water, tighten hose cap, open hydrant fully. Check gasket for leakage, then turn Operating Nut to full closed position.

1954-1961 Hydrants:

1. Remove four bonnet bolts and turn Operating Nut in the opening direction until free of the stem. Remove Bonnet.
2. Lubricate outside surface of Brass Sleeve (A-366) and slide it down over threaded end of stem. (The sleeve protects the Packing "O" Rings in the next step).
3. Remove four bolts in Stuffing Box and Remove Stuffing Box.
4. Remove Stuffing Box Gasket.
5. Remove two Packing "O" Rings from lower area of Stuffing Box and replace with new Packing "O" Rings from kit.
6. Relubricate outside surface of Brass Sleeve (A-366) and place over threaded end of stem.
7. Place new Stuffing Box Gasket on Upper Barrel.
8. Replace Stuffing Box and bolt to Upper Barrel.
9. Remove Brass Sleeve and pour Mueller Hydrant Lubricant into oil reservoir until THREE-QUARTERS of an inch from top.
10. Replace Bonnet. Turn Operating Nut in closing direction to engage stem. If Bonnet has filler plug, make sure that it is aligned with offset portion of oil reservoir. Bolt in place.

To check Stuffing Box Gasket, open one hose cap slightly. Open hydrant until barrel fills with water, tighten hose cap, open hydrant fully. Check gasket for leakage, then turn Operating Nut to fully closed position.

Phone: (800) 423-1323

By deviating from the above listed instructions, you will void any product warranty and release Mueller Co. and its affiliated entities from any and all liability associated with the installation or use of this product. For details on the product's warranty, terms, and conditions, please visit www.muellercompany.com.

© 2016 Mueller Co., LLC. All rights reserved.

Form 11092 06/16