



Reliable Connections™

AquaGrip® Connection

## Changing Out DIPS & IPS Components

The AquaGrip connection can be changed from DIPS to IPS or from IPS to DIPS by changing the Intermediate Ring and Gripper Ring. The Gasket, Follower Ring, Nuts and Bolts, and Shipping Spacers are the same for both pipe specifications and are not changed.

### Color Coding

Black: DIPS Intermediate Ring and Gripper Ring

Sienna Red: IPS Intermediate Ring and Gripper Ring

**NOTE:** A short piece of pipe of the type being adapted to is required to properly reassemble components. (Pipe should be long enough to extend at least 6" beyond AquaGrip End Ring when fully inserted into valve or hydrant shoe.)

For example: When adapting to IPS, use a length of IPS pipe to reassemble components. When adapting to DIPS, use a length of ductile iron (preferred) or C900 PVC pipe.

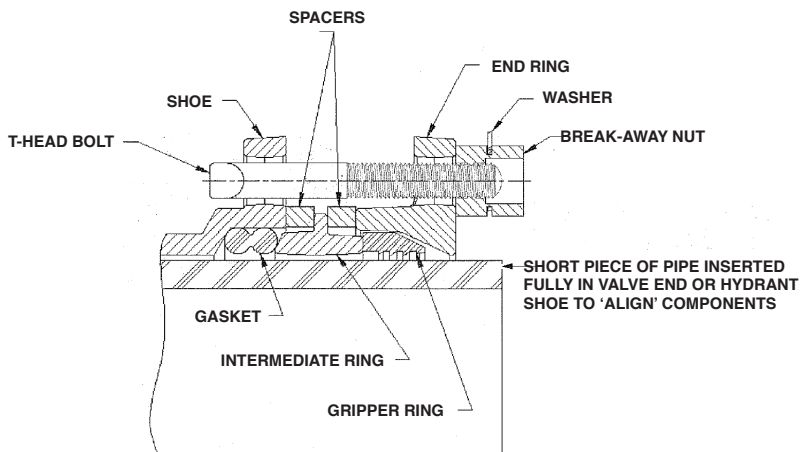
1. Leaving the gasket undisturbed in the bell of the connection, disassemble all other AquaGrip components. (DO NOT REMOVE THE GASKET – if accidentally removed, lubricate Gasket and put back into recess. DO NOT FOLD Gasket when reinstalling.)
2. Ensure Gasket is already in place, then insert appropriate short piece of pipe fully into valve end or hydrant shoe until it stops, making sure Gasket is not pushed out of its recess.
3. Assemble new Intermediate Ring (black coating is DIPS, sienna red coating is IPS) onto pipe with beveled end towards gasket and push back into contact with Gasket. Do not force.
4. Place Gripper Ring (black coating is DIPS, sienna red coating is IPS) inside original End Ring, inserting flat end of Gripper Ring first.

**NOTE:** When properly installed, entire Gripper Ring will be inside End Ring.

*(continued)*

## Changing Out DIPS & IPS Components (*continued*)

- Place Gripper Ring and End Ring assembly onto pipe with End Ring outermost, and slide into contact with Intermediate Ring. Do not force.
- Assemble T-head bolts from back side of fitting flange and through End Ring. Thread Break-Off Nuts onto T-head bolts just enough to start them (approximately 2-3 turns). **NOTE:** Break-off Nuts should be started with threaded end toward End Ring (unthreaded recess toward end of T-head bolt).
- Insert Shipping Spacers: Two Spacers should be placed behind T-head bolt located at 1-2 o'clock position, one on each side of the Intermediate Ring lip. Two other spacers should be placed behind T-head bolt at 7-8 o'clock position, in similar manner. Torque nuts on two T-head bolts with spacers to 30-60 ft. lbs, and hand tighten other two nuts.
- Apply one drop of Loctite 242 (not supplied) to each Break-off Nut.



**Phone: (800) 423-1323**

By deviating from the above listed instructions, you will void any product warranty and release Mueller Co. and its affiliated entities from any and all liability associated with the installation or use of this product. For details on the product's warranty, terms, and conditions, please visit [www.muellercompany.com](http://www.muellercompany.com).

© 2016 Mueller Co., LLC. All rights reserved.

Form 12320 09/16