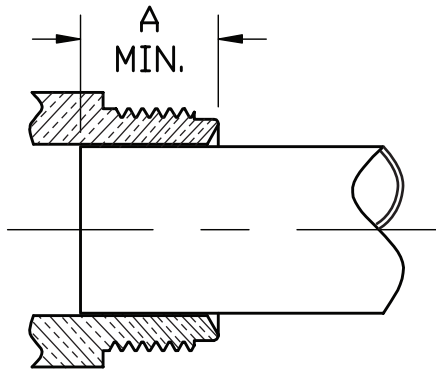


Installation of Compression Style Connection without Pipe Stop

This fitting is made without a mechanical stop to position the pipe or tubing when it is inserted into the connection. Ensure the pipe or tubing is inserted as shown in the following illustration to the depth given in the chart.



Pipe/Tubing Insertion Depth		
Connection Type	Size	Dim. A
CTS	1/2"	11/16"
	5/8"	3/4"
	3/4"	3/4"
	1"	7/8"
	1-1/4"	1-1/8"
	1-1/2"	1-3/16"
	2"	1-1/4"
IPS	3/4"	1"
	1"	3/4"
	1-1/4"	1-7/16"
	1-1/2"	1-7/16"
	2"	1-1/2"