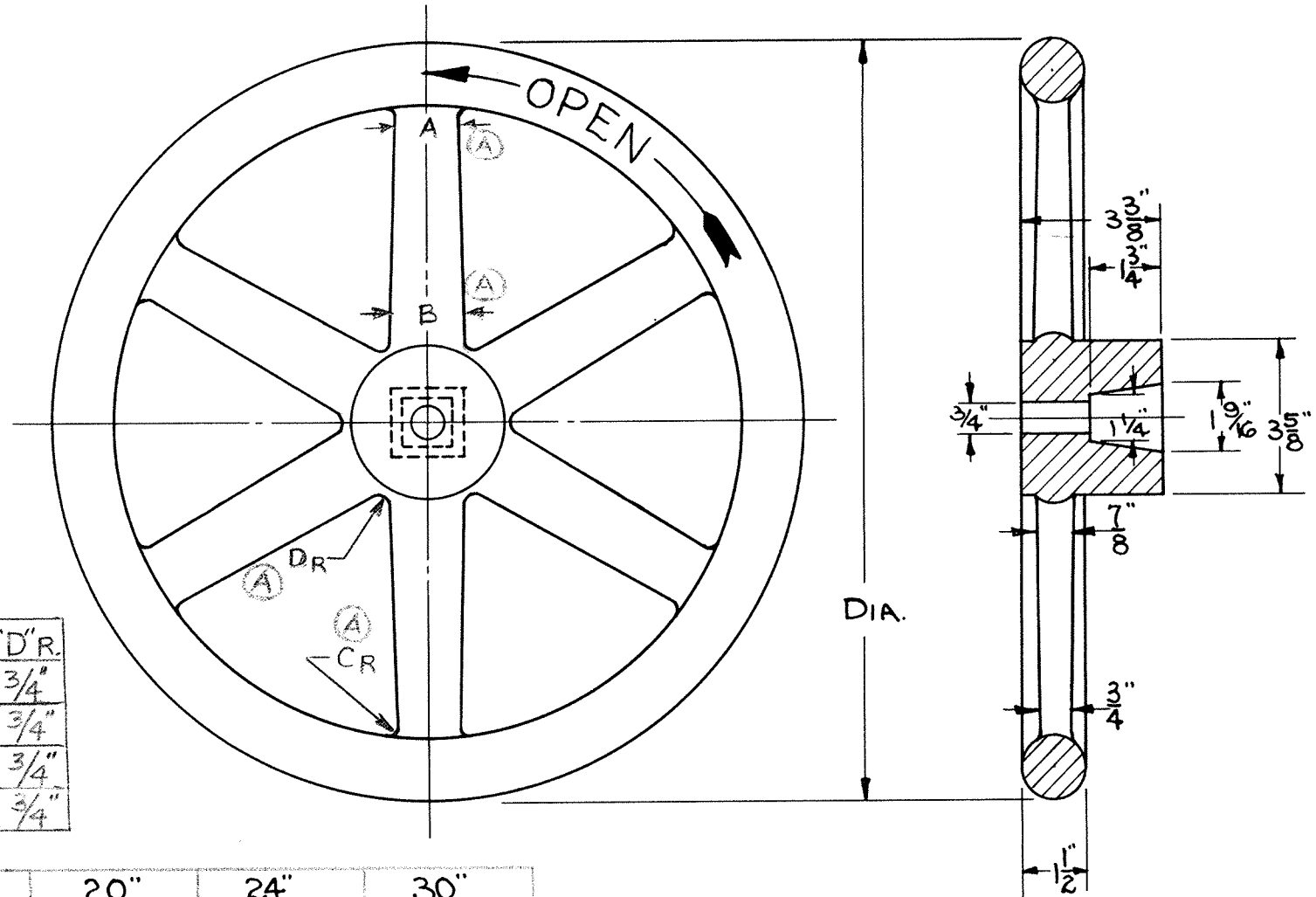




PT. No. 155157  
 C.B. No. 3310  
 MATL. C.I.  
 44-F/C

# HANDWHEEL FOR 16" & UP GATE VALVE



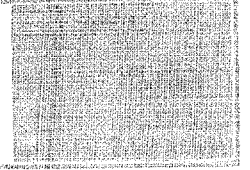
DIA.	"A"	"B"	"C"R.	"D"R.
18"	1 1/4"	1 1/2"	1/2"	3/4"
20"	1 3/8"	1 5/8"	1/2"	3/4"
24"	1 1/2"	1 3/4"	3/4"	3/4"
30"	1 3/4"	2"	3/4"	3/4"

DIA.	18"	20"	24"	30"
PART No.	155157LH	155158LH	155159LH	155160LH
PATT. No.	898	1735	1416	1669
PART No.	155237RH	155238RH	155239RH	155236RH

CORNERS HAVE ROUNDS FRLTETS UNLESS NOTED CHATTANOOGA, TENN

DRAWN BY	M.L.O. 2-16-52	APPROVED	ECO 1243821 3-12-01
TRACED	M.L.O. 2-16-52		ADDED DIMS "A", "B", "C" & "D" AND CHART
CHECKED	WRD 2-18-52		UC 3/5/01
PASSED			

FINISHES UNLESS OTHERWISE SPECIFIED  
 F MACHINE FINISH-HOLD TO ...  
 F MACHINE FINISH-HOLD TO ...  
 DO NOT SCALE DRAWING



T.H.P