

8.00 ARROW
[ARC LENGTH]
ON 6.55 ARC RADIUS

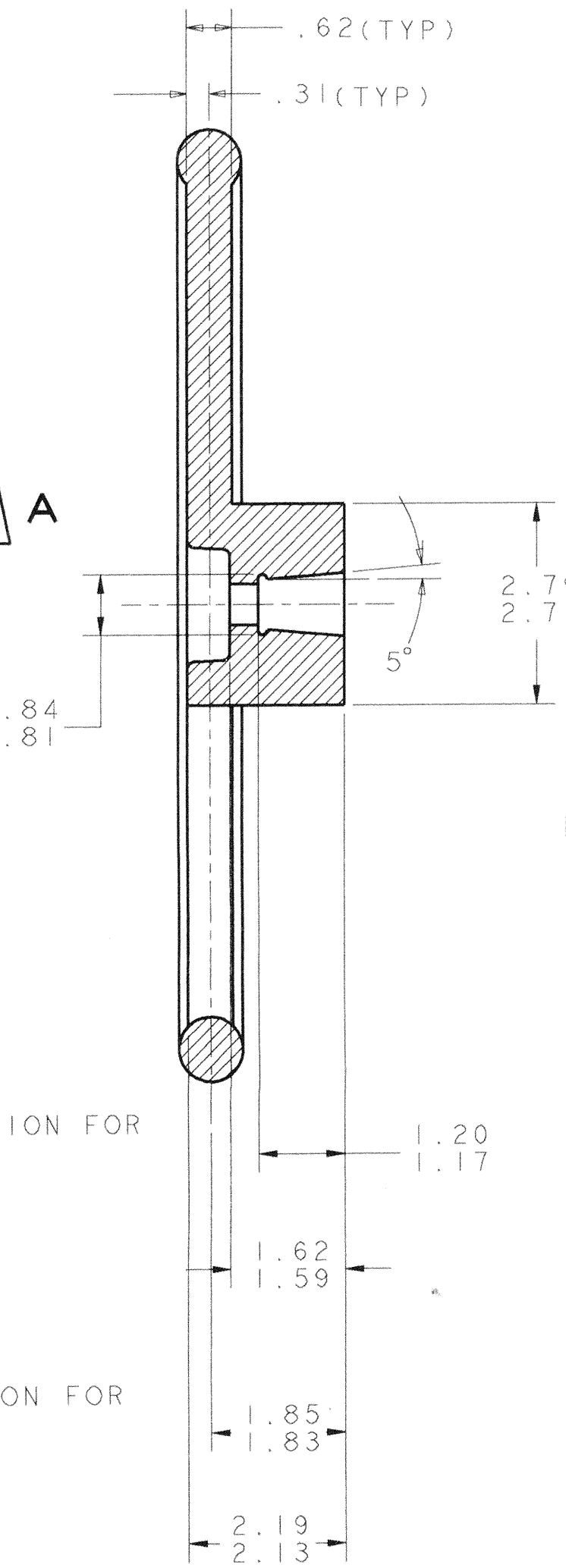
[ARROW DIRECTION FOR
156868-1 (OL)]

.50 LETTER(S)

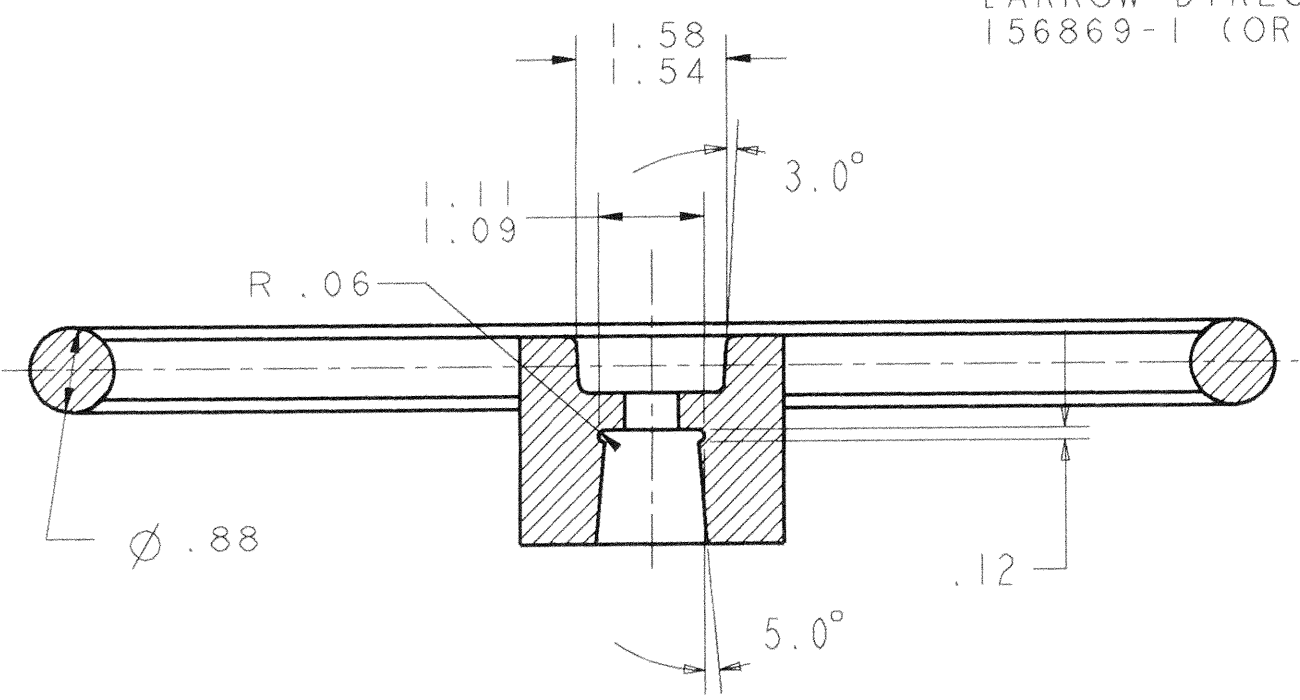
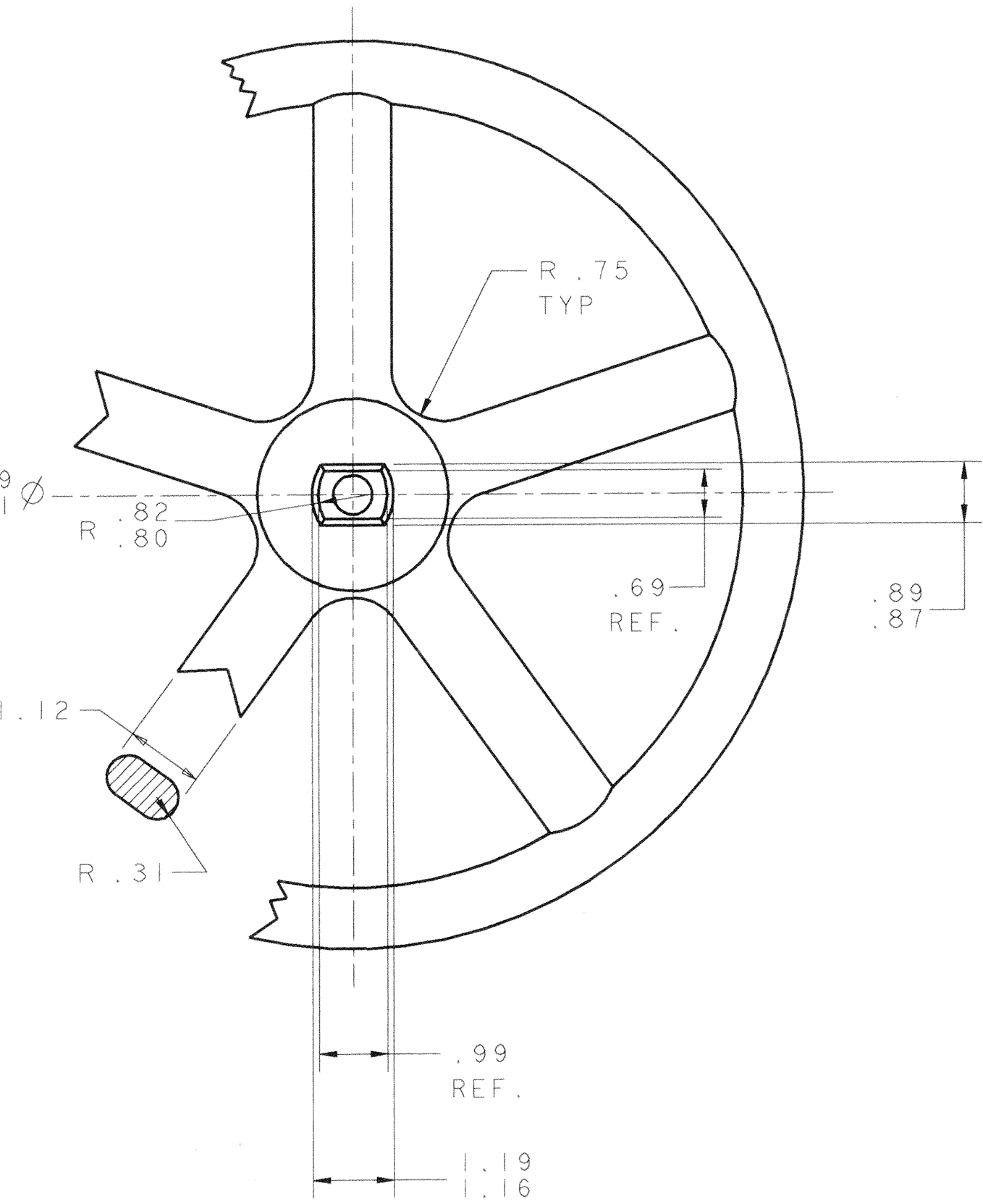
[ARROW DIRECTON FOR
156869-1 (OR)]

OPEN

OPEN



SECTION B-B



SECTION A-A

ALTERNATE MATERIAL:
DUCTILE IRON ASTM A536-84/MS001

WAS EXP. NO. 50024-25 1/10/95 JLC

DR. BY	AF	1/24/94	UNLESS OTHERWISE NOTED	THIRD ANGLE PROJECTION	C.B. NO.
CHKR	TRJ	2-3-94	BREAK CAST CORNER(S)---	.12 R	
ENGR	RWV	2-3-94	BREAK MACH CORNER(S)---		
MGR			TOLERANCES	NO	RGH
MFG			UNLESS OTHERWISE NOTED	REF. NO.	SCALE
TOOL			LINEAR	± .06	ANGULAR
FDRY			± 0°-30'		HALF
MATERIAL: CAST IRON ASTM A126 GRADE B			STK. NO.		

C2761

T. J. 1/13/95

Mueller Co.
A tyco INTERNATIONAL LTD. COMPANY

DESCR. 6 IN RW GATE VALVE
HANDWHEEL CASTING

NUMBER
156868-1