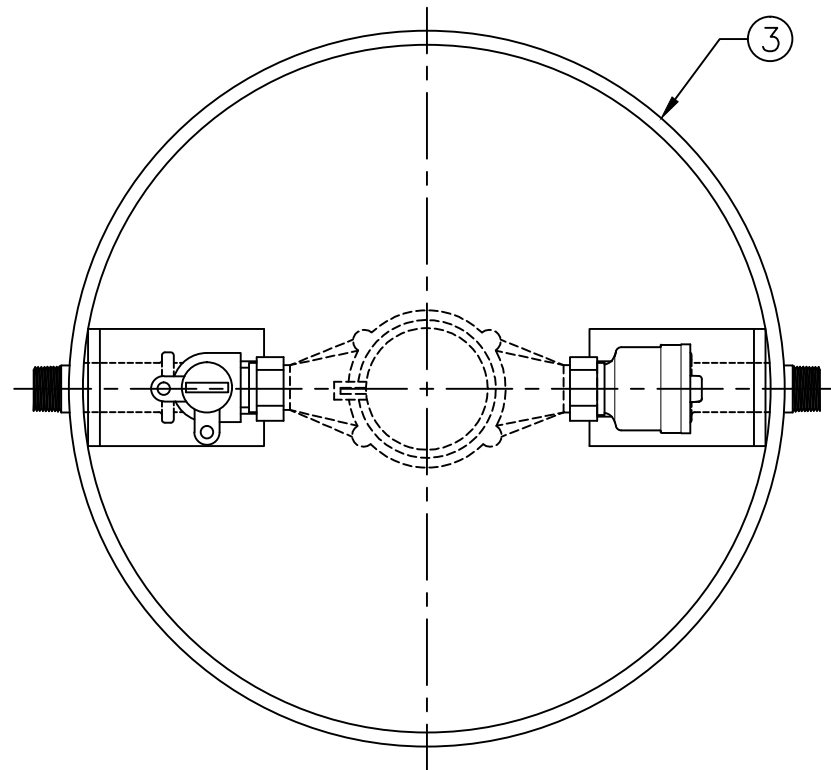
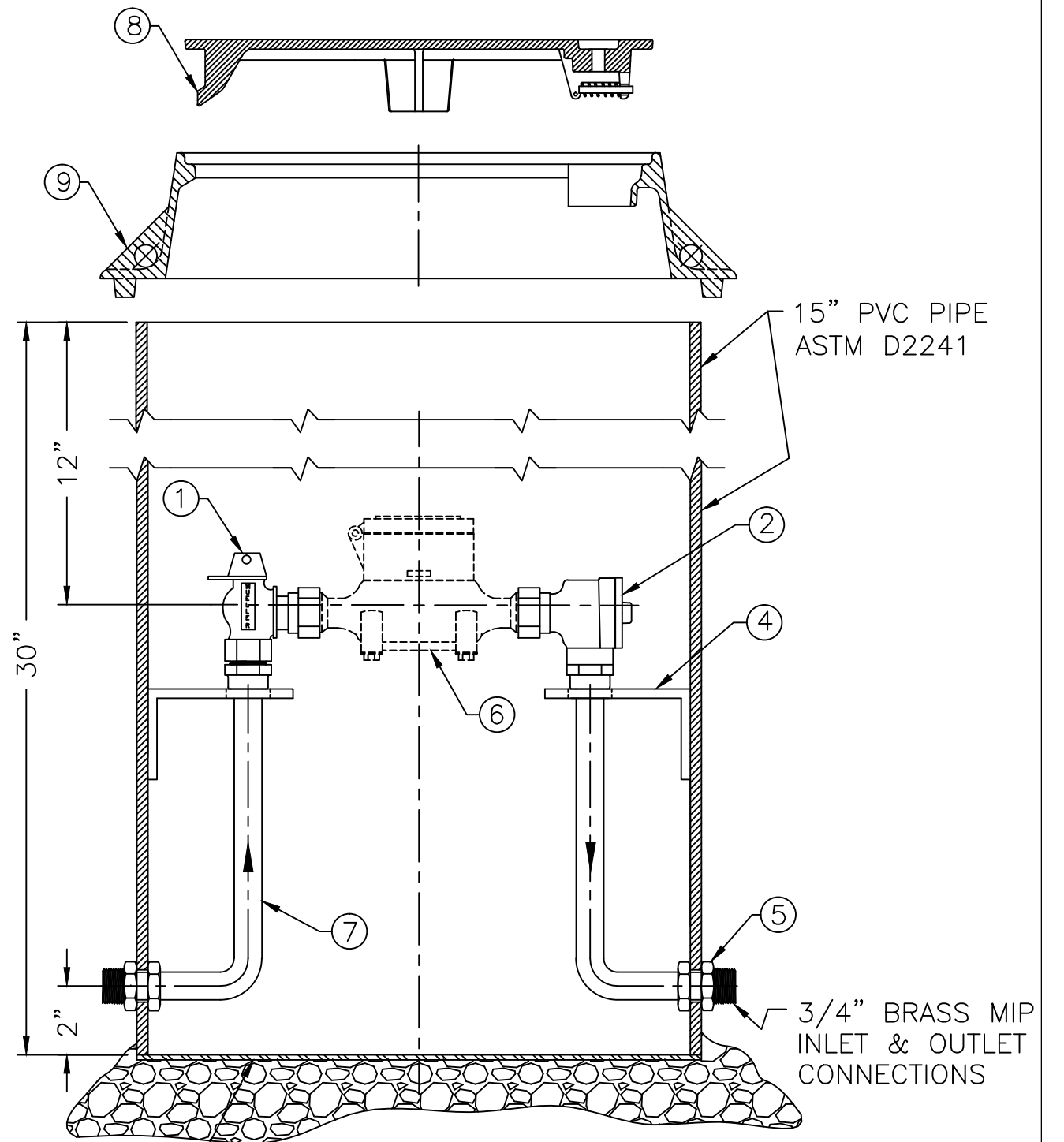


ITEM	DESCRIPTION	REQ'D
1	3/4" FULLPORT BALL ANGLE METER VALVE	1
2	3/4" DUEL ASSE CHECK VALVE	1
3	15" SHELL SUB-ASSEMBLY	1
4	PVC STABILIZING BRACKET	2
5	3/4" HEX NUT	4
6	METER JUMPER	1
7	RISER SUB-ASSEMBLY	1
8	282924 METER LID	1
* 9	700097-1 LID FRAME	1

* OPTIONAL



TOP VIEW



ATTACHED ALUMINUM BOTTOM

SIDE VIEW

203RS1530FSAS000237

DRFT'R	JCJ	6-28-11	THIRD ANGLE PROJECTION	REF. NO.	SCALE
CHK'R					NTS
E.O. NUMBER				STOCK No.	
			DESCR.	NUMBER	
			15" EZ SETTER RIGID SINGLE METER PIT	203RS1530FSAS000237	
REV.				SHEET 1 OF 1	

REV.	DESCRIPTION	REF.	DRFT'R	CHK'R	APP	DATE