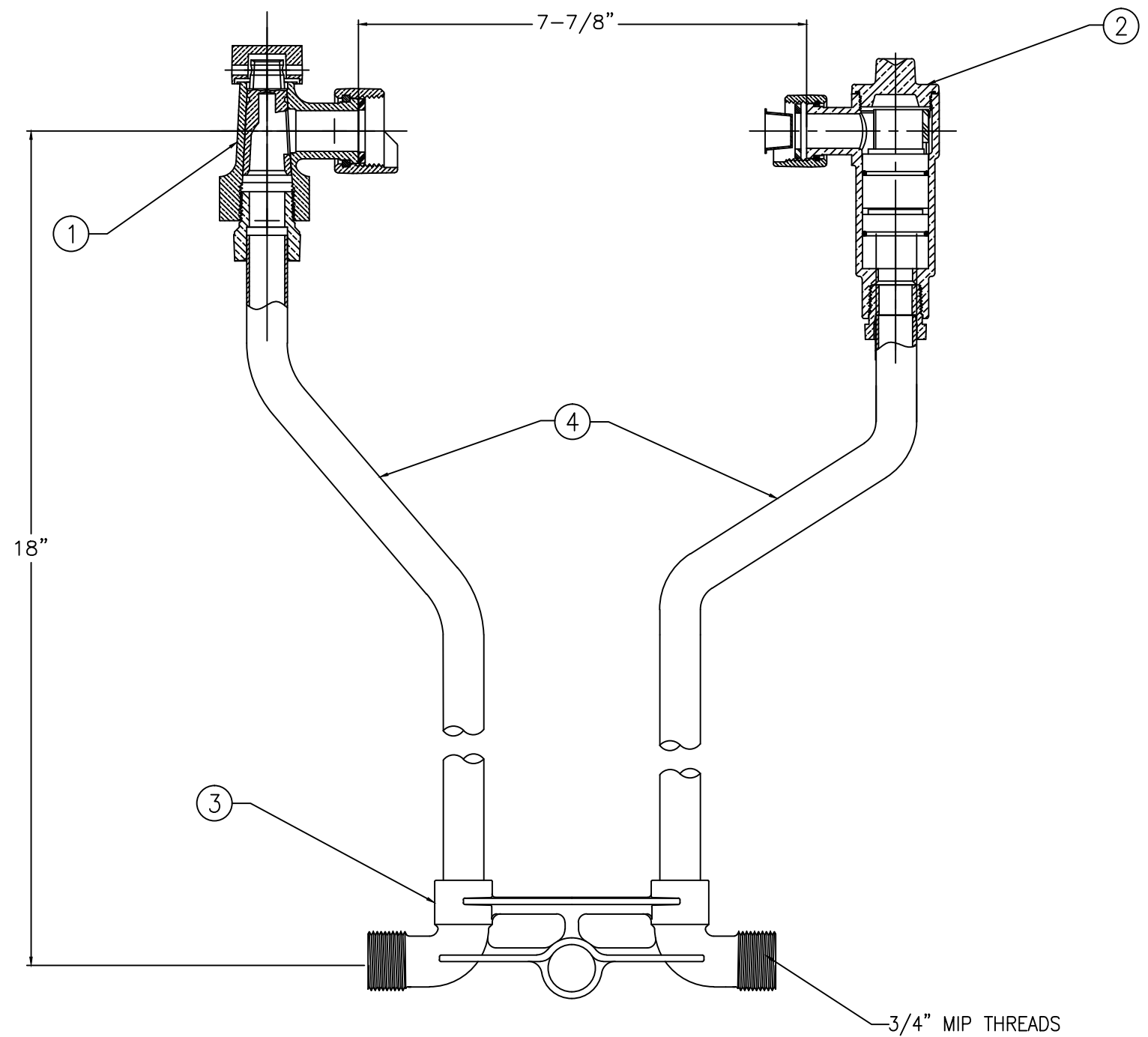


ITEM	DESCRIPTION	PART NO.	REQ'D
1	1" LOCKWING ANGLE METER STOP	H1426551N	1
2	1" VERTICAL ASSE APPROVED CHECK VALVE	H14460AN	1
3	METER BAR		1
4	RISER SUB ASSEMBLY		2

*NOTE: METER NOT INCLUDED



392H1434--6A--N

DRFT'R	BBF	8/10/16	THIRD ANGLE PROJECTION	REF. NO.	SCALE
CHK'R					
E.O. NUMBER				STOCK No.	
Mueller Co.			DESCR.	REV.	NUMBER
			1" x 18" COPPER METER YOKE LOW LEAD BRASS		392H1434--6A--N
				SHEET	OF

REV.	DESCRIPTION	REF.	DRFT'R	CHK'R	APP	DATE