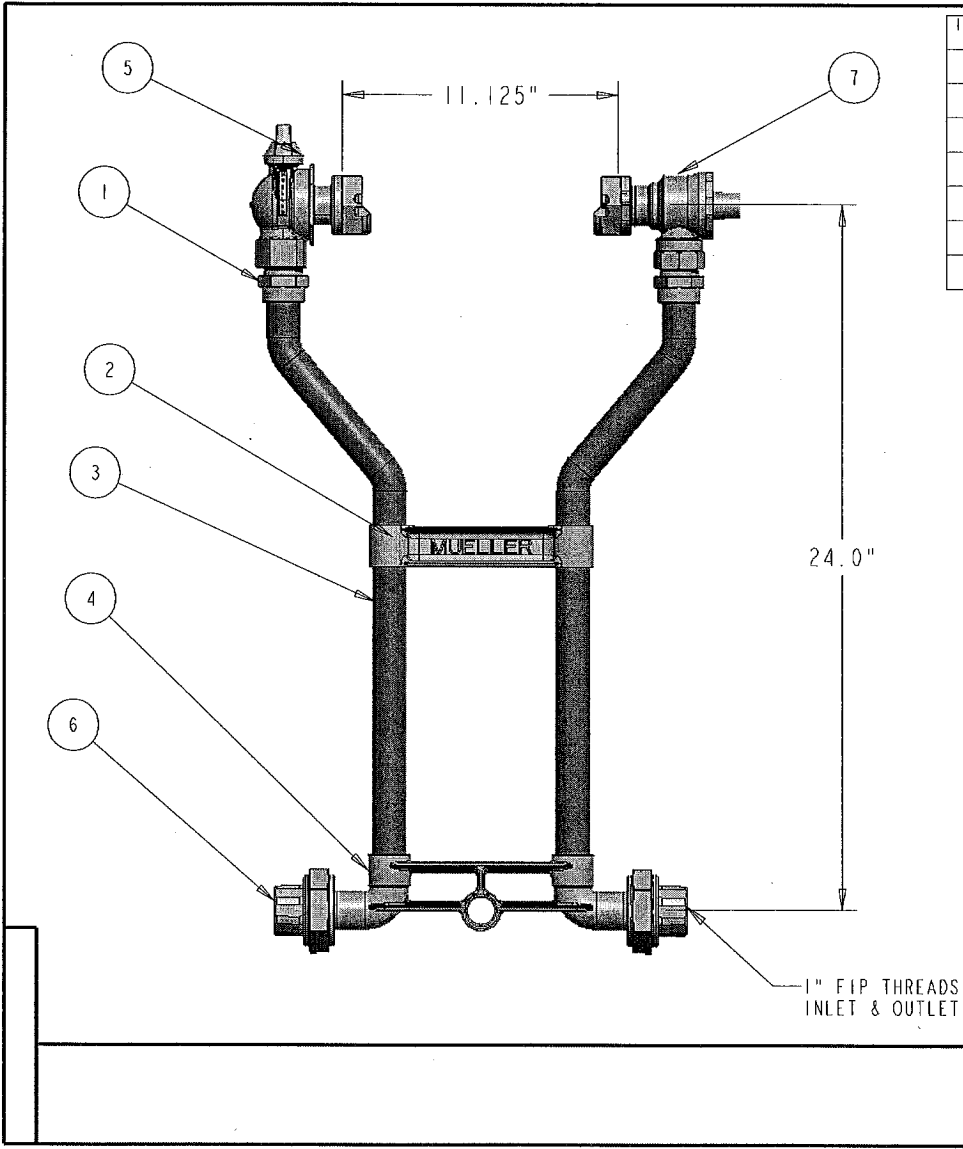


ITEM NO	PART NUMBER	QTY	DESCRIPTION
1	074955	2	1" MIP THREADS X 1-1/8" SOLDER SPUD
2	074963	1	1" TIE BAR
3	079074	2	1" COPPER RISER (1-1/8" OD)
4	532220	1	1" HORIZONTAL METER BAR WITH BRACING EYE
5	330B24265R	1	1" REDUCED PORT BALL VALVE
6	330HI4222	2	1" MULTI-PURPOSE X 1" FIP THREAD FITTING
7	330HI4244	1	1" DUAL CHECK VALVE



OPTION CODE: 05
 * HI4222 INSTALLED ON INLET & OUTLET

DR. BY	BBF 9/23/16	UNLESS OTHERWISE NOTED	THIRD ANGLE PROJECTION	C.B. NO.
CHKR		BREAK CAST CORNERS)---		
ENGR		BREAK MACH CORNERS)---	PURCH.	FINISH
MGR		TOLERANCES UNLESS OTHERWISE NOTED	REF. NO.	PATT. NO.
MEG		LINEAR	SCALE	
TOOL		FRACT.	ANGULAR	
FRY			STR. NO.	
MAT'L:				
Mueller Co.			DESC. 1" COPPER METER SETTER 24" RISER HEIGHT LOW LEAD BRASS	
			NUMBER 394B2404-R2-05N	