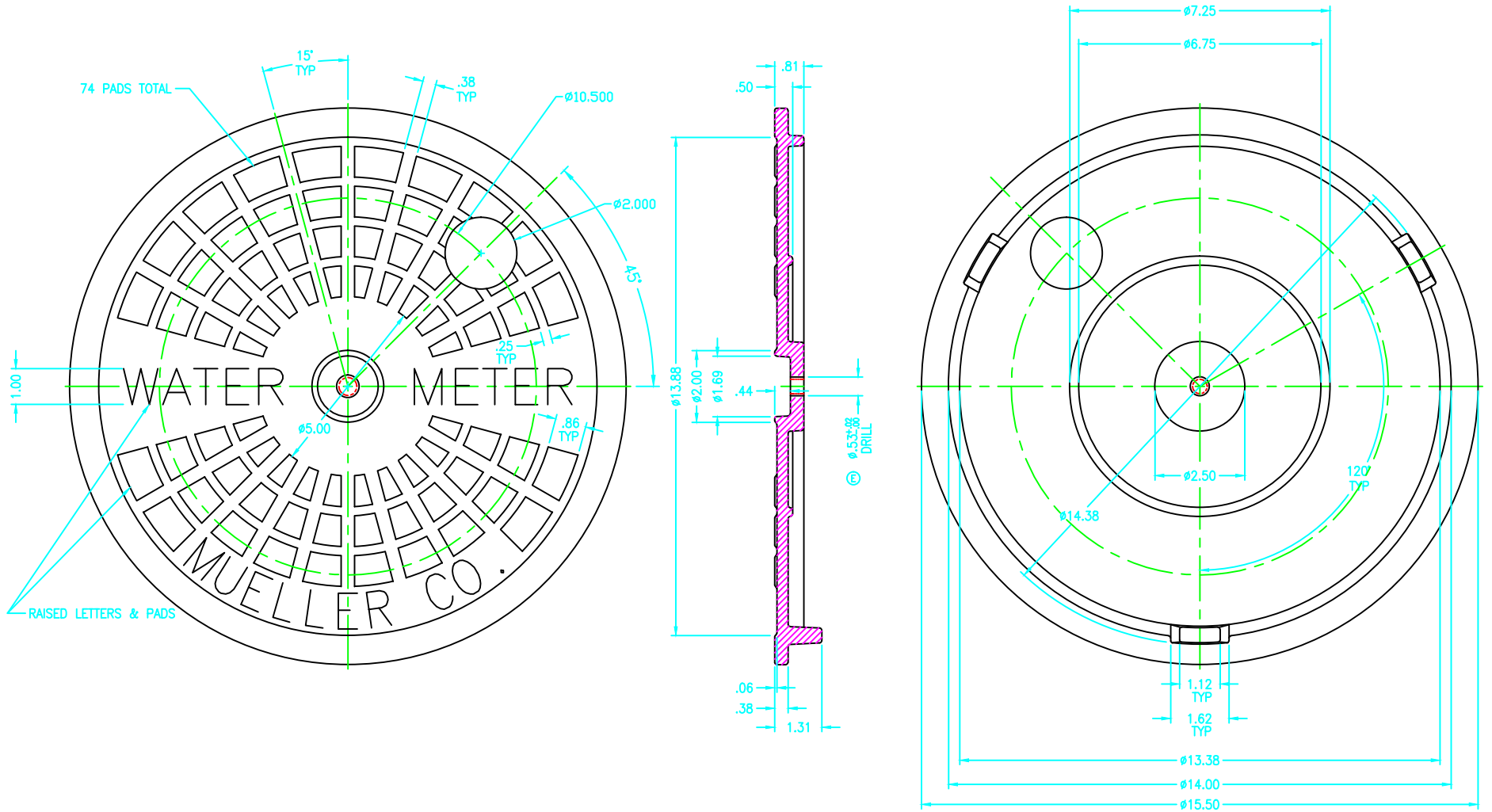


544619

REV.	DESCRIPTION	REF.	DRFT	CHKD	APP.	DATE
0	XXX	ECO	XXX	XXX	XXX	XX-XX-XX



THIS DRAWING IS SUBJECT TO REVISION OF DRAWING 790007 AND MUST BE UPDATED AS IT IS REVISED

INCH		MILLIMETER		TOLERANCES — MACHINING		THIRD ANGLE PROJECTION	
INITIAL RELEASE		01-22-10		UNLESS OTHERWISE NOTED		FINISH	
DRFT	MDT	01-22-10		BREAK EDGES	FINISH SURFACES	PURCH.	ROUGH
CHK'R	XXX	XX-XX-XX		MACH. .006/016	125	YES	SCALE
APP	XXX	XX-XX-XX				REF. NO.	NONE
E.O. NUMBER E001525520		DECIMALS 2 PL. ± 0.025		ANGLES 21		STK. NO. 790007	
		3 PL. ± 0.010					

APPROVED
By Murray Thompson at 10:05 am, Jan 22, 2010

Mueller Co.	MATL. GRAY CAST IRON ASTM A126 CLASS B	REVISION	NUMBER
	DESCR. 15" FLAT LID w/ 2" TOUCH READ HOLE	0	544619
		SHEET	OF 1
		1	1