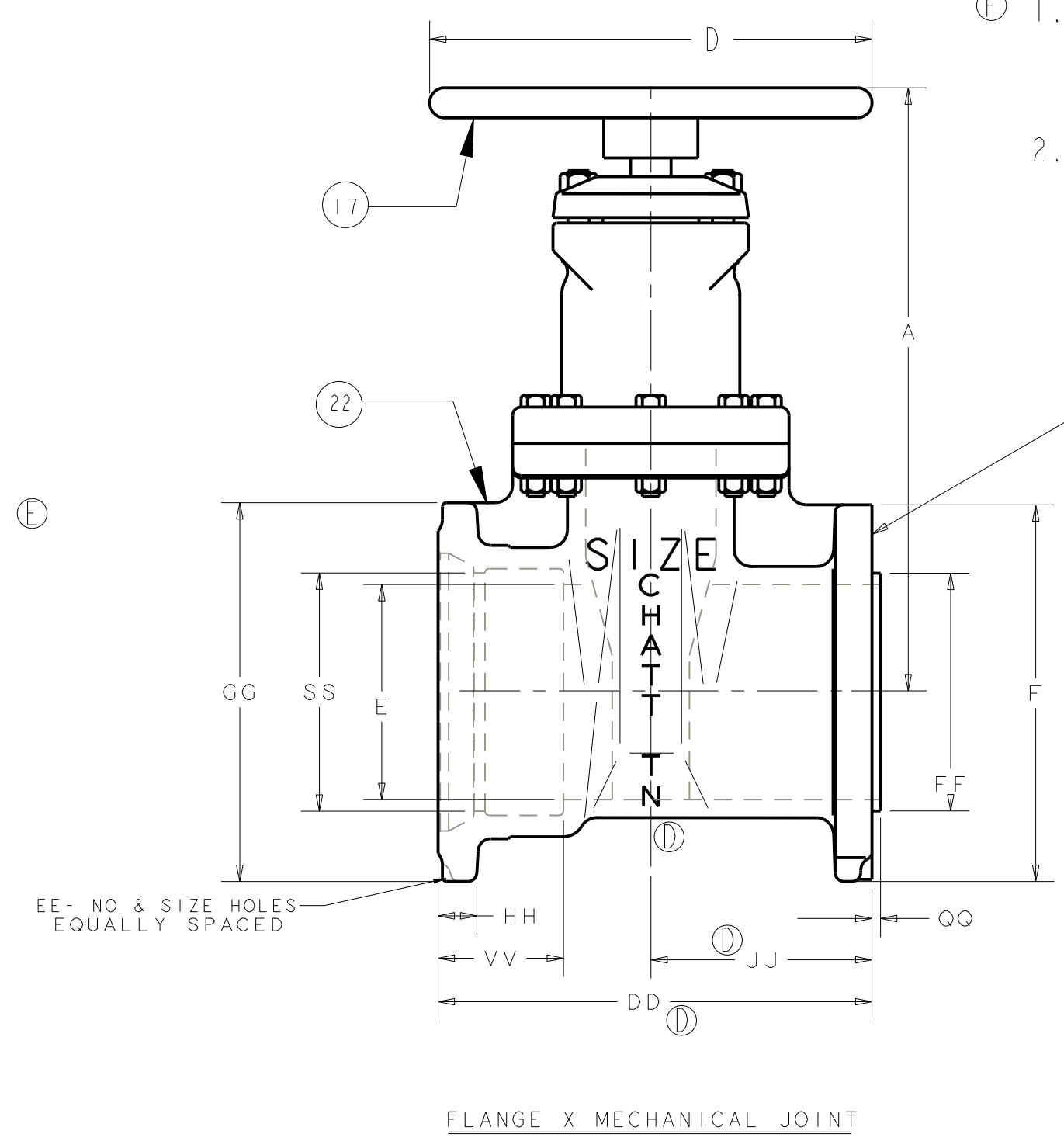
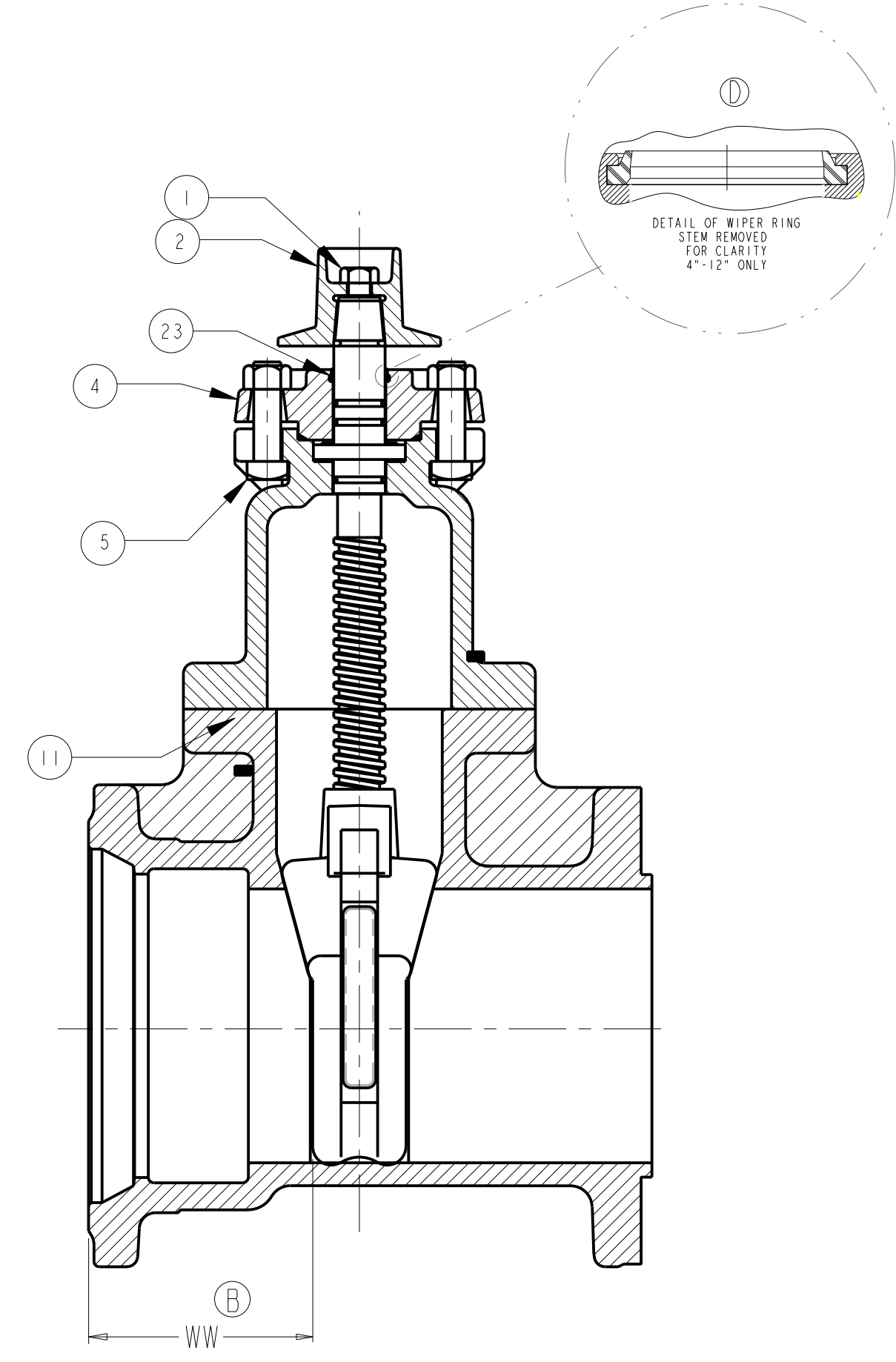
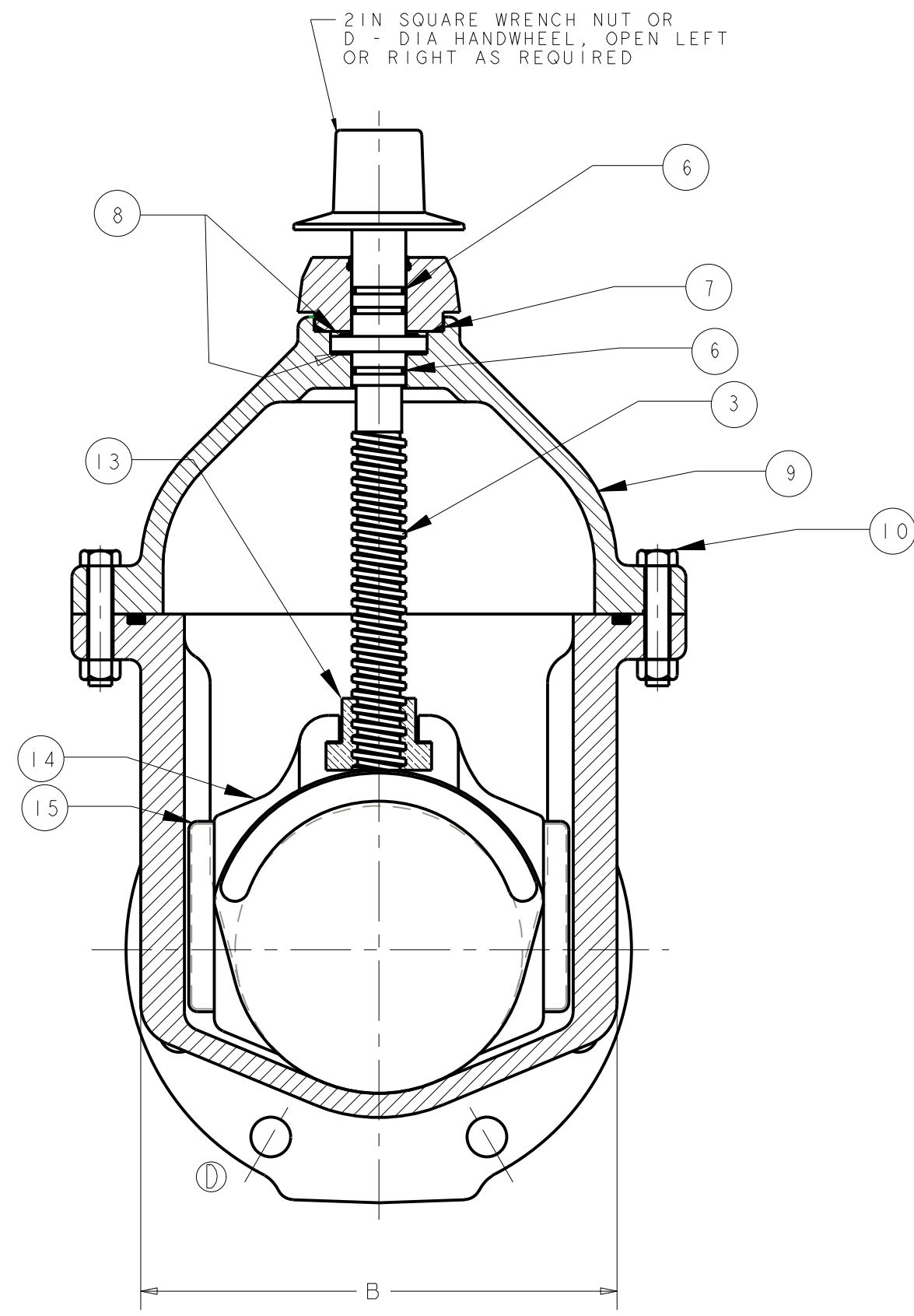
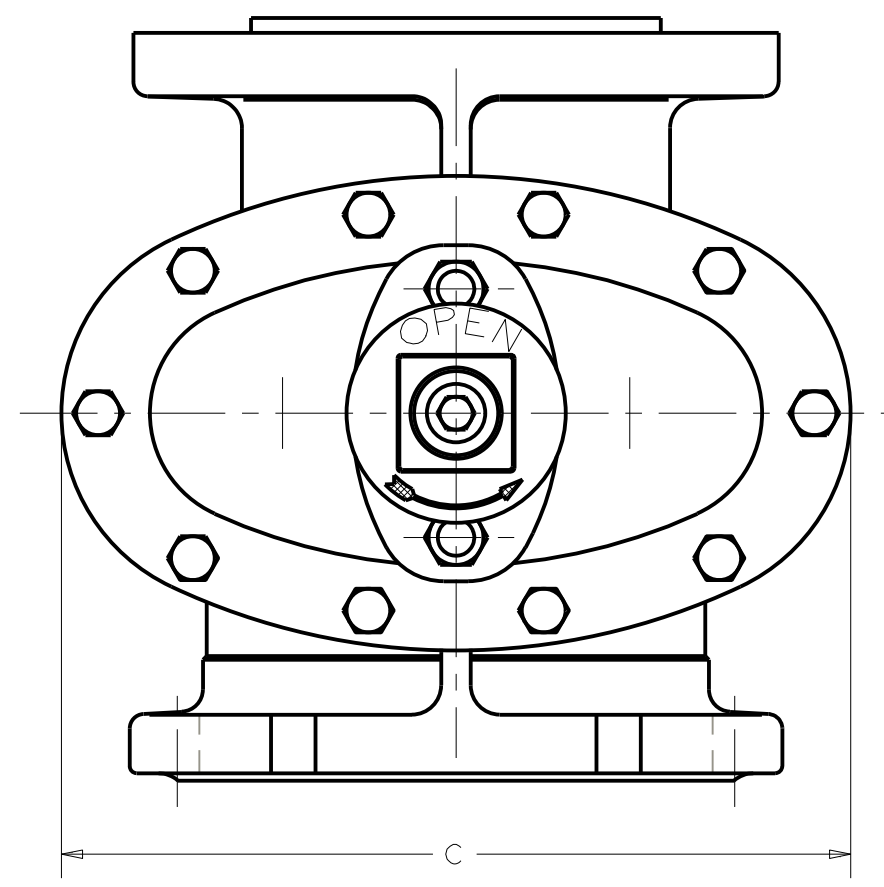


41N - 12IN MUELLER T-2360 M.J. RESILIENT WEDGE TAPPING VALVE
NRS - AWWA 250W, UL/FM 200W



1. RUBBER ENCAPSULATED CAST IRON DISC
CAST IRON - ASTM A126 CLASS B
RUBBER - SBR - ASTM D2000

2. MANUFACTURER'S OPTION TO UPGRADE MAT'L
TO D1 - A536 GR 65-45-12

PARTS LIST					
ITEM	DESCRIPTION	REQ'D	MATERIAL	ASTM	
①	1	1	304 STN. STL.	A193	GRADE B8
	2	1	CAST IRON [SEE NOTE 2] ①	A126	CLASS B
	3	1	BRONZE	B138	ALLOY C67600
	4	1	CAST IRON [SEE NOTE 2] ①	A126	CLASS B
①	5	2	304 STN. STL.	A193 F594	GRADE B8 GROUP 1
	6	3	RUBBER	D2000	NITRILE
	7	1	RUBBER	D2000	NITRILE
	8	2	CELCON		
	9	1	CAST IRON [SEE NOTE 2] ①	A126	CLASS B
①	10	"Z"	304 STN. STL.	A193 F594	GRADE B8 GROUP 1
③	11	1	RUBBER	D2000	NITRILE ③
	13	1	BRONZE	B62	ALLOY C83600
	14	1	SEE NOTES 1 & 2 ①		
	15	2	CELCON		
	17	1	CAST IRON [SEE NOTE 2] ①	A126	CLASS B
	22	1	CAST IRON [SEE NOTE 2] ①	A126	CLASS B
①	23	1	RUBBER	D2000	NITRILE (BUNA N)

DIMENSIONS FOR MUELLER RESILIENT WEDGE VALVE - INCHES (THIS DRAWING ONLY)

VALVE SIZE	A	B	C	D	E	F	Z	DD	EE	FF	GG	HH	JJ	QQ	SS	TT	VV	WW	URNS TO OPEN	WEIGHT (lbs)	
4	14.19	8.25 ①	10.79 ①	8.00	4.30	9.00	④	11.73 ①	4 - .88	4.984 4.954 6.954	①	9.12	1.12	6.05 ①	0.18	4.92 ①	8 - .75	3.21 ①	4.47	14	99
6	18.00	10.50	13.50	11.00	6.30	11.00	⑥	12.75 ①	6 - .88	6.984 6.954	①	11.12	1.18	6.50 ①	0.25	7.03 ①	8 - .88	3.03 ①	4.91	20.5	160
8	21.50	13.21 ①	16.36 ①	13.00	8.30	13.50	⑥	14.37 ①	6 - .88	8.984 8.954	①	13.38	1.30 ①	7.50	0.25	9.17 ①	8 - .88	3.22 ①	5.46	26.5	254
10	25.50	16.48	19.99 ①	14.00	10.30	16.00	⑧	15.70 ①	8 - .88	10.984 10.954	①	15.69 ①	1.25	8.27 ①	0.25	11.22 ①	12 - 1.00	2.50 ①	5.93	33	412
12	28.62	16.83 ①	21.00	16.00	12.30	19.00	⑧	14.99 ①	8 - .88	12.984 12.954	①	17.94	1.38	7.00 ①	0.25	13.32 ①	12 - 1.00	2.88	6.15	38.5	525

APPROVED
By Charles Graham Hines at 1:36 pm, Mar 08, 2010

DR BY: JLC	3/9/95	UNLESS OTHERWISE NOTED	THIRD ANGLE PROJECTION	C.D. NO.
CHKD: TRJ	3/9/95	BREAK CAST CORNERS!		PART. NO.
ENGR: RWV	3/9/95	BREAK MACH CORNERS!		
MFR:		TOLERANCES	NO	FINISH
MFG:		UNLESS OTHERWISE NOTED	ASSY	SCALE
TOOL:		LINEAR	NONE	
FBY:		ANGULAR		
MATERIAL: NOTED ①		STR. NO.		NUMBER
ECO 1452332		AWWA 250W, UL/FM 200W		41N - 12IN RWTV
NOTE 1 WAS "*" & ADDED NOTE 2		250W - 500 TEST*		T-2360
NAF 03/05/10		NAF 03/05/10		6605-E

6605-E