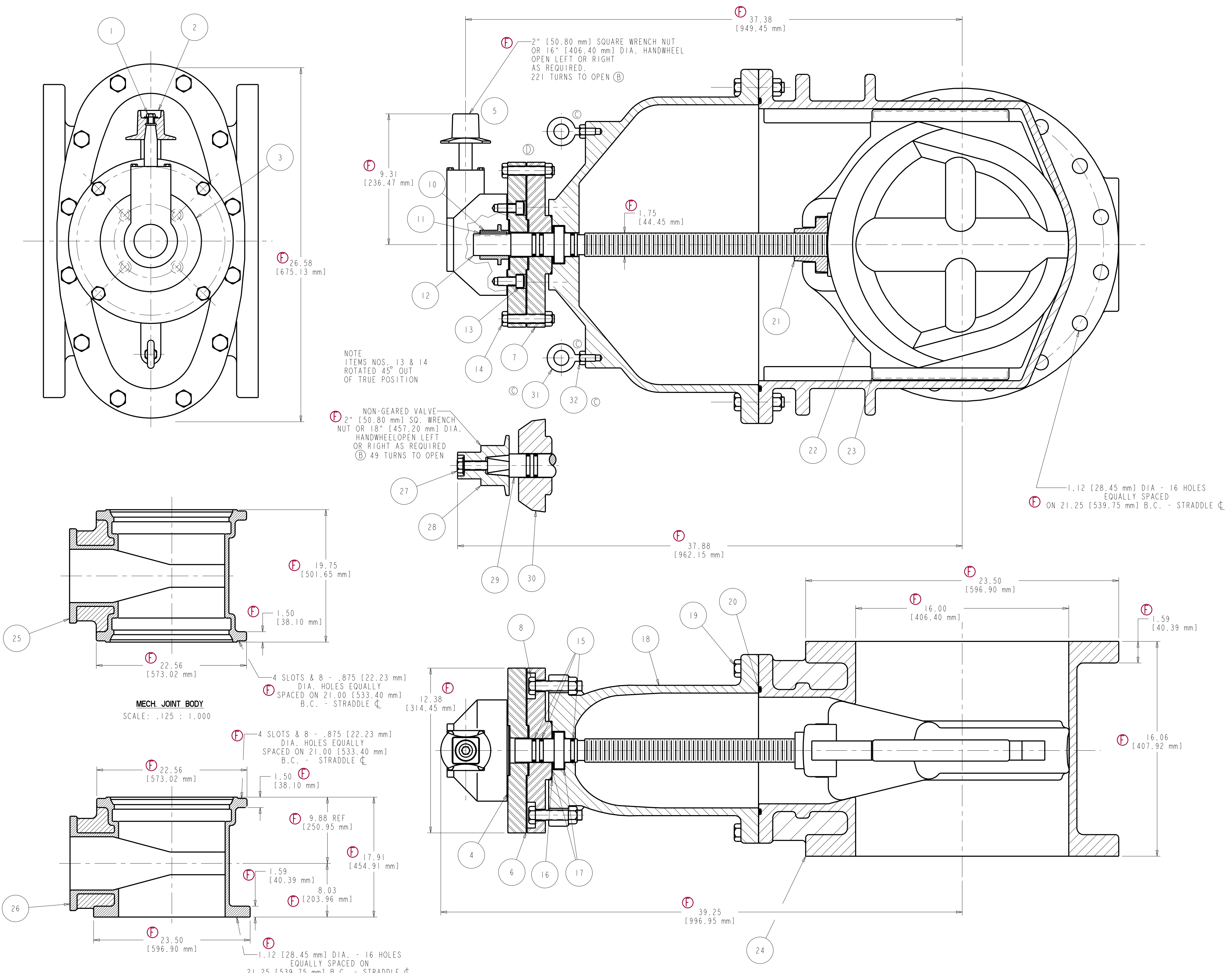


6" A2361 RESILIENT WEDGE GATE VALVE - FLANGE X FLANGE ENDS - FLANGE X MECH. JOINT ENDS WITHOUT GEARING



### PARTS LIST - GEARED VALVE

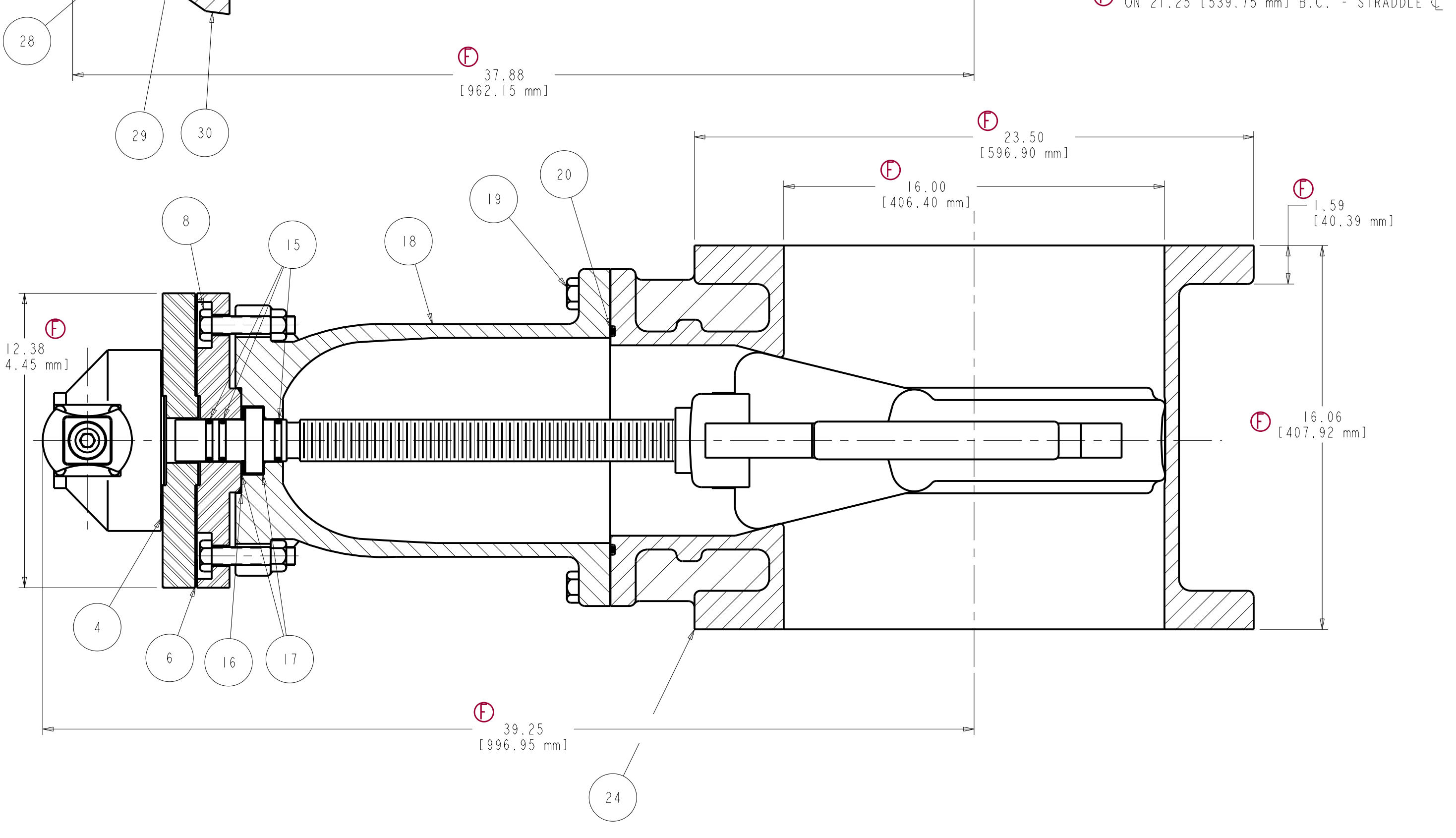
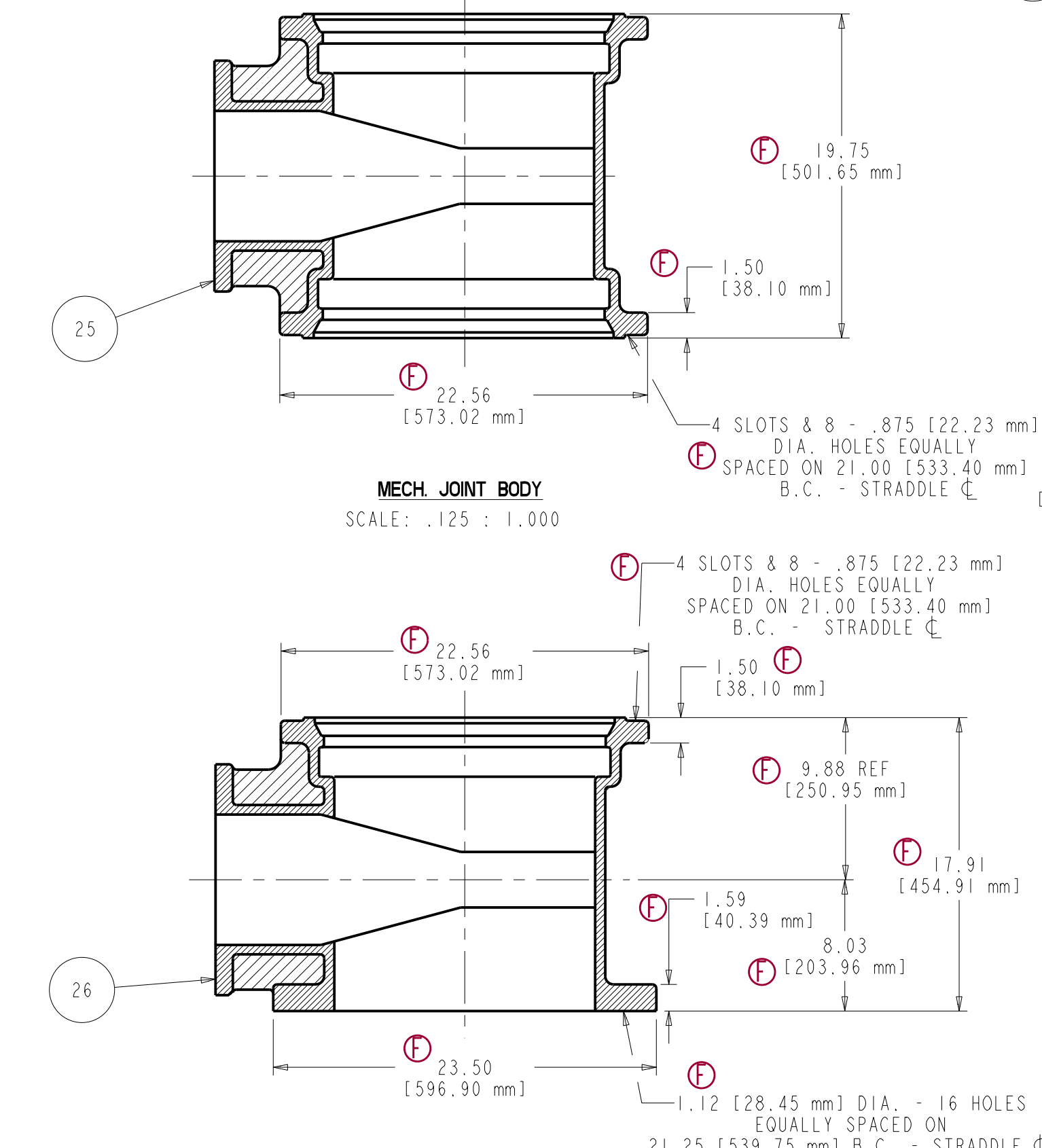
ITEM	DESCRIPTION	REQ'D	MATERIAL	ASTM	
1	CAP SCREW	1	STEEL	A307	GRADE B ZINC PLATED
2	WRENCH NUT	1	CAST IRON	A126	CLASS B
3	VALVE ACTUATOR	1			
4	ACTUATOR GASKET	1	NEOPRENE	D2000	MUELLER R51
5	ADAPTER	1	STEEL	A36	
6	STUFFING BOX GASKET	1	NEOPRENE	D2000	MUELLER R51
7	STUFFING BOX	1	STEEL	A36	
8	HEX HEAD BOLT & NUT	2	STEEL	A307	GRADE B ZINC PLATED
10	DRIVE SLEEVE	1	*		
11	KEY	1	STEEL		
12	STEM	1	BRONZE	**	
13	SOCKET HD. CAP SCREW	4	STEEL	A307	GRADE B ZINC PLATED
14	HEX HEAD BOLT & NUT	4	STEEL	A307	GRADE B ZINC PLATED
15	"O" RING	3	RUBBER	D2000	MUELLER R34
16	"O" RING	1	RUBBER	D2000	MUELLER R34
17	ANTI-FRICTION WASHER	2	BRASS		
18	BONNET	1	DUCTILE IRON	A536	54-45-12
19	HEX BOLT HEX NUT	12 12	STEEL STEEL	J429 A536	GRADE B ZINC PLATED GRADE B ZINC PLATED
20	"O" RING	1	RUBBER	D2000	MUELLER R34
21	DISC NUT	1	BRONZE	B62	
22	DISC	1	***		
23	GUIDE CAP	2	CELCON		M90
24	FLG X FLG BODY	1	DUCTILE IRON	A536	65-45-12
25	MJ X MJ BODY	1	DUCTILE IRON	A536	65-45-12
26	FLG X MJ BODY	1	DUCTILE IRON	A536	65-45-12
31	EYEBOLT	2	STEEL		ANSI B18.15
32	HEX NUT	2	STEEL	A307	GR B PLATED

### PARTS LIST NON-GEARED VALVE

27	CAP SCREW	1	STEEL	A307	GRADE B ZINC PLATED
28	WRENCH NUT	1	CAST IRON	A126	CLASS B
29	STEM	1	BRONZE	*	
30	STUFFING BOX	1	DUCTILE IRON	A536	65-45-12

NOTES:  
 1. ITEM NOS. 27 - 30 REPLACE ITEMS NOS. 1 - 7 & 9 - 14 FOR NON-GEARED VALVE.  
 2. THE INTERIOR/EXTERIOR OF THE BODY AND BONNET ARE COATED WITH FUSION BONDED EPOXY.

- \* SUPPLIED W/ACTUATOR BUT FINISHED BY MUELLER CO.
- \*\* ASTM B138 ALLOY 675 W/ADDED LEAD FOR MACHINABILITY
- \*\*\* RUBBER ENCAPSULATED DUCTILE IRON DISC  
 DUCTILE IRON - ASTM A536 (65-45-12)  
 RUBBER - MUELLER RUBBER SPEC R88



ECO 1796 ADDED CATALOG NOS. JLC 9/22/98	ECO 905352 ADDED TURNS TO OPEN JLC 3/31/99	ECO 1023116 ADDED ITEMS 31 & 32 EYE BOLT & NUT JLC 6/11/00	ECO 1370767 ADDED HEX NUT ROW TO TABLE GPD 11/23/05	ECO 1549100 ADDED METRIC DIMENSIONS ADDED NOTE RAB 10/18/10
---	---	--	--	--

**APPROVED**  
 By Charles Hines at 2:00 pm, Oct 19, 2010

DR BY: JLC 6/30/98	UNLESS OTHERWISE NOTED	THIRD ANGLE PROJECTION	C.D. NO.
CHKD: TRJ 4/12/99	BREAK CAST CORNERS!		PART. NO.
ENGR: RWV 4/12/99	BREAK MACH CORNERS!		
MGR:	TOLERANCES	PURCH. NO.	FINISH
WFO:	UNLESS OTHERWISE NOTED	REF. NO.	ASSY
TOOL:	LINEAR	SCALE	NONE
FBRY:	ANGULAR	STR. NO.	
MAT'L: NOTED		DESCR: 16" RWGV FLG. ENDS FLG. X M.J. ENDS. & M.J. X M.J. ENDS W/ OR W/O BEVEL GEARING	
TRJ 4/12/99 ECN 1670		NUMBER 6637	