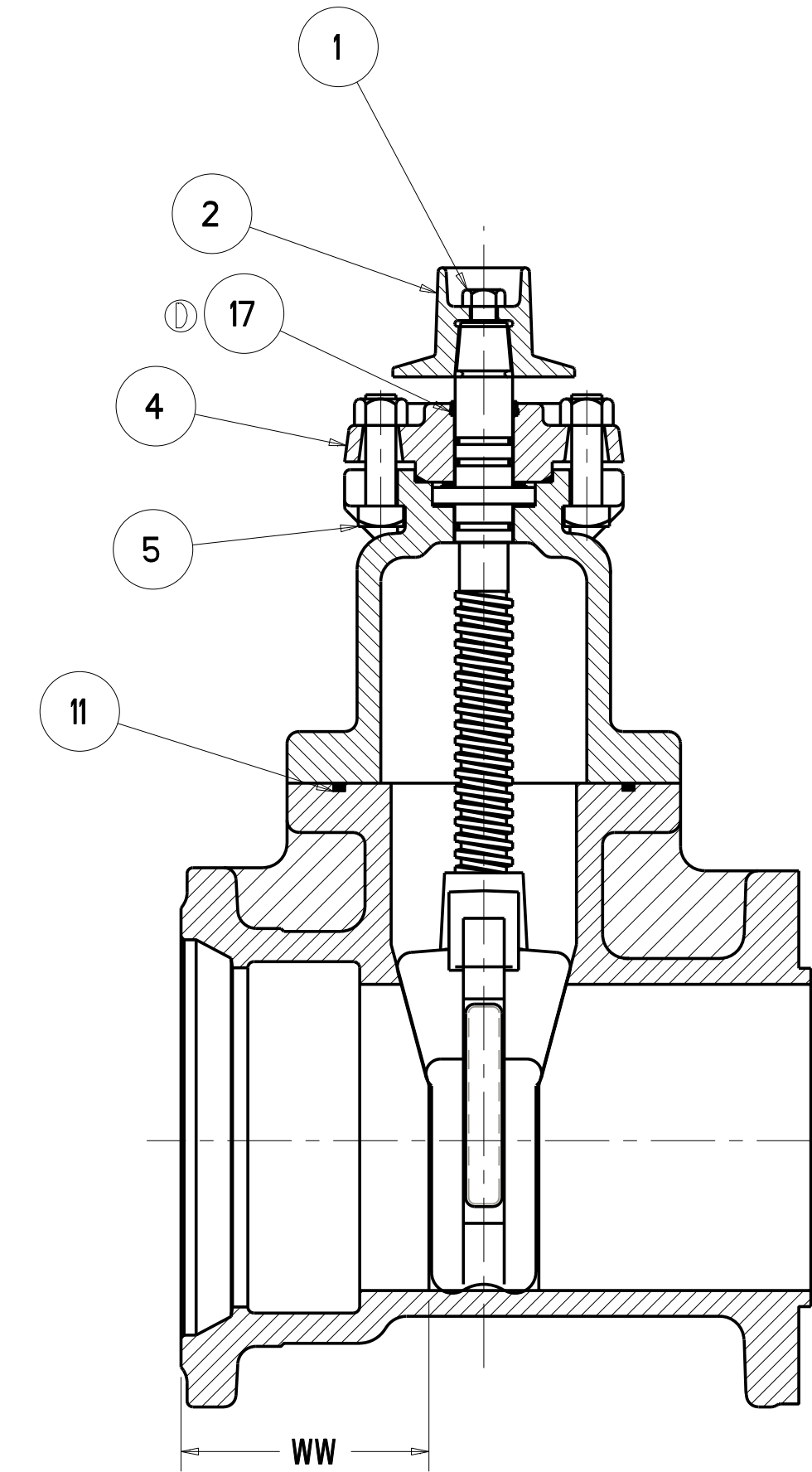
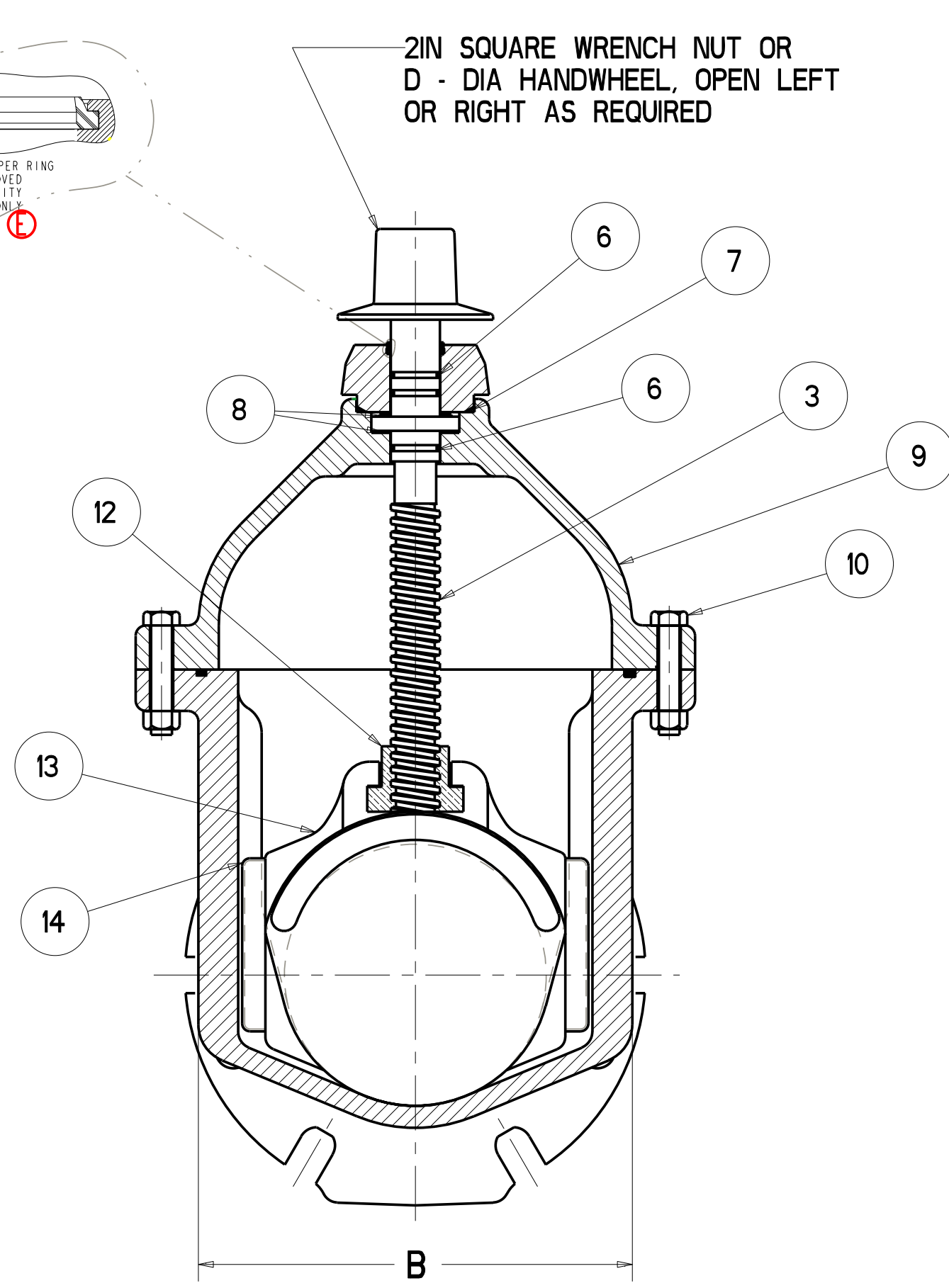
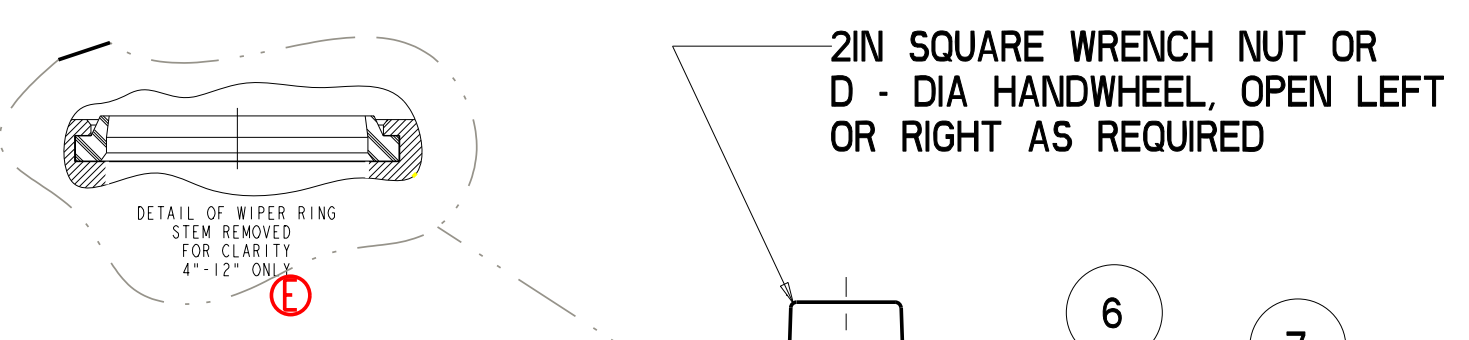
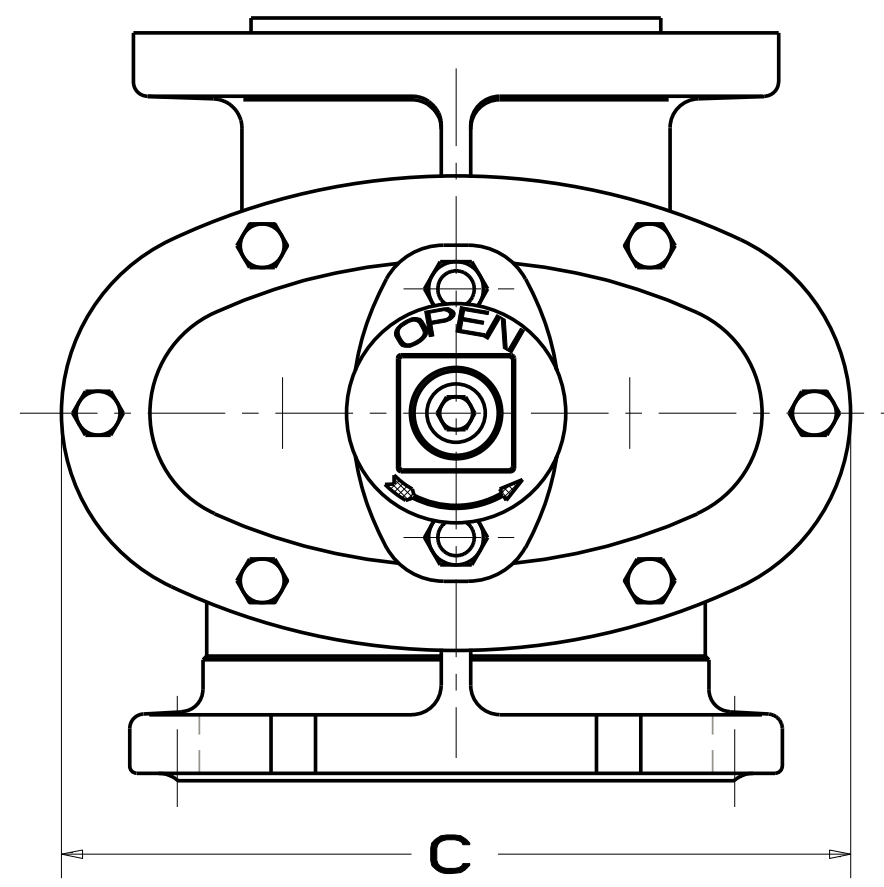


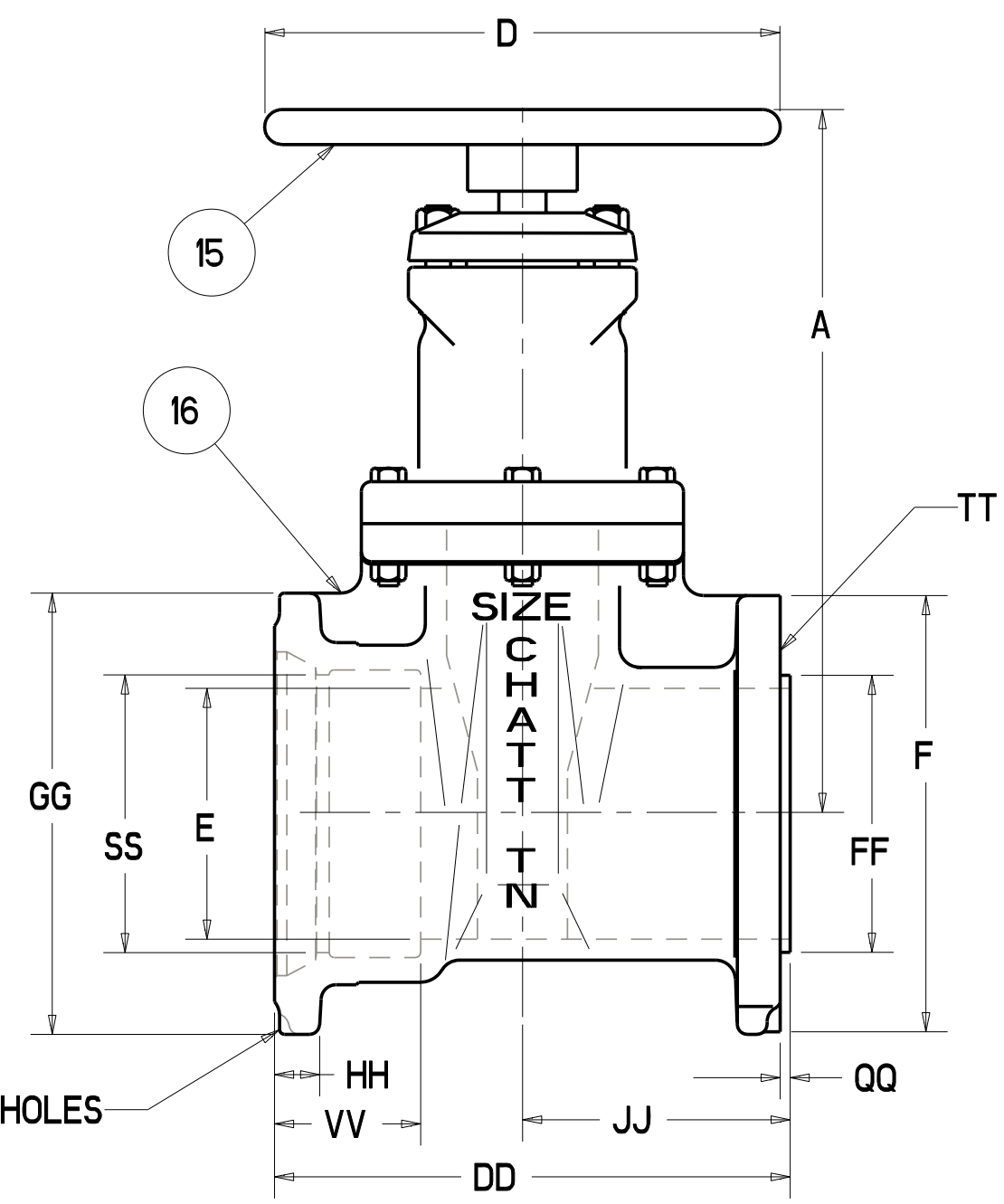
6648 4IN - 16IN MUELLER T-2361 M.J. RESILIENT WEDGE TAPPING VALVE - NRS - AWWA - 250WP-500 TEST - ULFM - 200WP-400 TEST



**PARTS LIST**

ITEM	DESCRIPTION	REQ'D	MATERIAL	ASTM	
1	CAP SCREW	1	304 STAINLESS STEEL <sup>Ⓟ</sup>	A194	GRADE B
2	WRENCH NUT	1	CAST IRON	A126	CLASS B
3	STEM	1	BRONZE	B138	ALLOY C67600
4	STUFFING BOX	1	CAST IRON	A126	CLASS B
5	4" -12" STUFFING BOX BOLT 4" -12" STUFFING BOX NUT 14" & UP STUFFING BOX BOLT & NUT	2	304 STAINLESS STEEL <sup>Ⓟ</sup> 304 STAINLESS STEEL CARBON STEEL	A194 F594 A307	GRADE B8 GROUP 1 GRADE B, ZINC PLATED
6	O-RING	3	RUBBER	D2000	NITRILE
7	O-RING	1	RUBBER	D2000	NITRILE
8	ANTI-FRICTION WASHER	2	CELCON		
9	BONNET	1	DUCTILE IRON	A536	GR. 65-45-12
10	4" -12" BONNET BOLT 4" -12" BONNET NUT 14" & UP BONNET BOLT & NUT	"Z"	304 STAINLESS STEEL <sup>Ⓟ</sup> 304 STAINLESS STEEL CARBON STEEL	A194 F594 A307	CLASS B8 GROUP 1 GRADE B, ZINC PLATED
11	O-RING	1	RUBBER	D2000	NEOPRENE
12	DISC NUT	1	BRONZE	B62	ALLOY C83600
13	DISC	1	*		
14	GUIDE CAP	2	CELCON		
15	HANDWHEEL	1	CAST IRON	A126	CLASS B
16	BODY (M.J. TAPPING)	1	DUCTILE IRON	A536	GR. 65-45-12
17	WIPER RING SIZES 4"-12"	1	RUBBER		

\* RUBBER ENCAPSULATED CAST IRON DISC  
CAST IRON ASTM A126 CLASS B  
RUBBER - SBR - ASTM D2000



FLANGE X MECHANICAL JOINT

**DIMENSIONS FOR MUELLER RESILIENT WEDGE VALVE - INCHES**

VALVE SIZE	A	B	C	D	E	F	Z	DD	EE	FF	GG	HH	JJ	QQ	SS	TT	VV	WW	TURNS TO OPEN
4	14.19	8.19	10.81	11.00	4.30	9.00	4	11.91	4 - .88	5.00	9.12	1.12	6.24	0.18	4.80	8-.75	3.17	4.47	14
6	18.00	10.50	13.50	13.00	6.30	11.00	6	13.00	6 - .88	7.00	11.12	1.18	6.75	0.25	6.90	8-.88	2.88	4.91	20.5
8	21.50	13.12	16.38	14.00	8.30	13.50	6	14.75	6 - .88	9.00	13.38	1.25	7.50	0.25	9.05	8-.88	3.21	5.46	26.5
10	25.50	16.48	19.92	16.00	10.30	16.00	8	15.80	8 - .88	11.00	15.68	1.25	8.44	0.25	11.10	12-1.0	2.48	5.93	33
12	28.62	16.75	21.00	16.00	12.30	19.00	8	16.26	8 - .88	13.00	17.94	1.38	8.26	0.25	13.20	12-1.0	2.88	6.15	38.5
14	32.75	20.32	24.92	18.00	14.38	21.00	10	17.66	10 - .88	15.50	20.62	1.49	7.78	0.25	15.14	12-1.12	3.62	7.76	43.5
16	37.88	21.64	26.58	18.00	16.00	23.50	12	18.16	12 - .88	17.23	22.56	1.55	8.28	0.25	17.29	16-1.12	3.65	7.66	49

**MUELLER CONFIDENTIAL**  
Title and ownership of this engineering data remains in Mueller Co. No use is to be made of this data except as specifically authorized by Mueller Co. Assent on the part of recipients to these conditions is presumed.

ECO 915446

DR BY: JLC	10/8/00	UNLESS OTHERWISE NOTED	THIRD ANGLE PROJECTION	C.D. NO.
CHKD: TRJ	10/8/00	BREAK CAST CORNERS!		
ENGR: RWV	10/8/00	BREAK MACH CORNERS!		
MFR:			PURCH: NO	FINISH: ASSY
MFG:			REF. NO.	SCALE: NONE
TOOL:			STR. NO.	
FBY:				
MAT'L: NOTE		NOTED		
Mueller Co.		DESCR: 4IN - 16IN RWTV		NUMBER: 6648
		T-2361		

ECO1328139  
ADDED SIZES  
14" & 16"  
FCM 9/10/04

ECO 1343654  
ADDED 14" & UP  
ADDED STAINLESS STEEL  
CAP 04/06/05

ECO 1344471  
T-2361 WAS I-2361  
CAP 05/18/05

ECO 1345457  
ADDED ITEM 17  
ADDED WIPER RING  
CAP 05/02/05

ECO 1365562  
ADDED WIPER  
RING DETAIL  
CAP 11/08/05