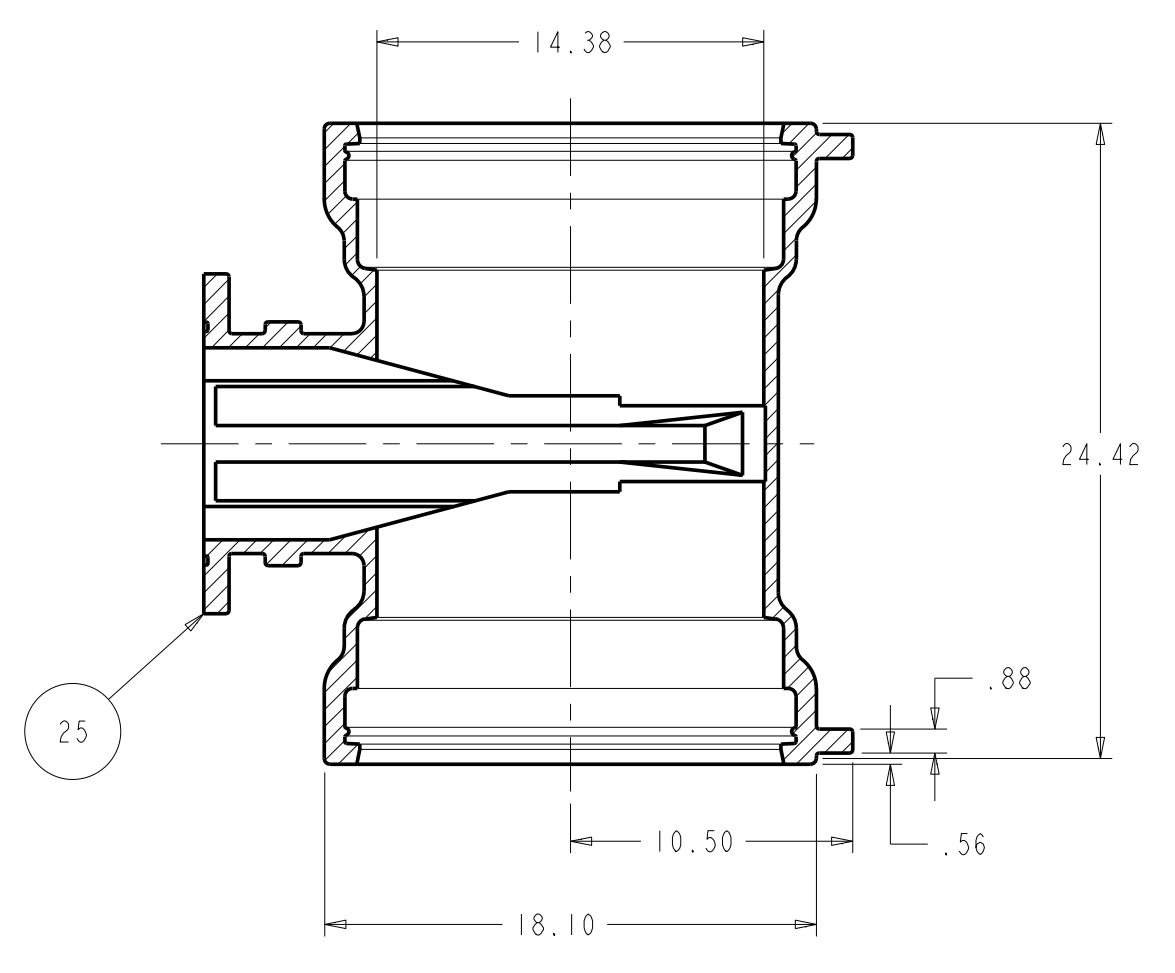
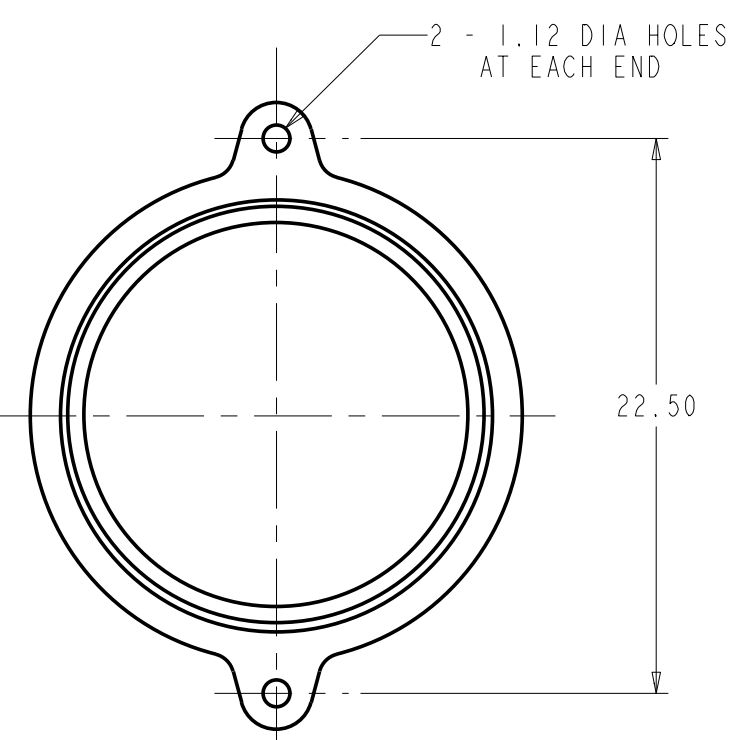
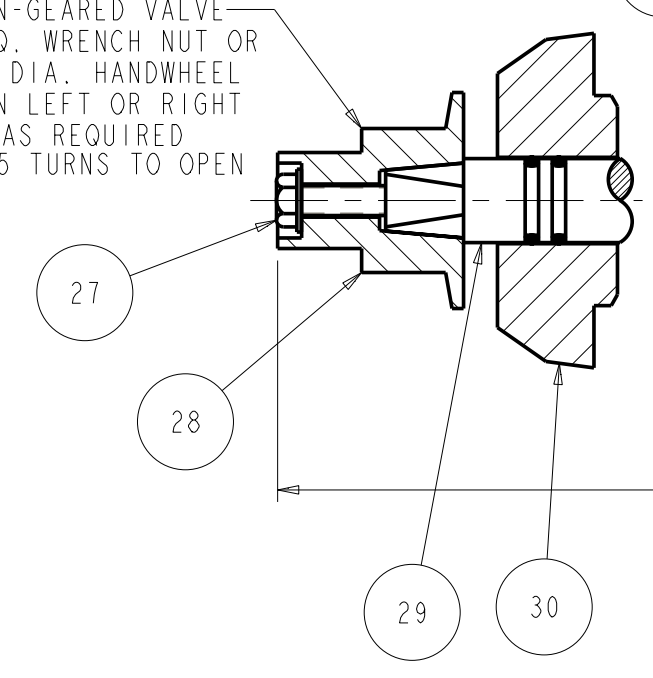


NOTE:
ITEMS NOS. 13 & 14
ROTATED 45° OUT
OF TRUE POSITION

NON-GEARED VALVE
2" SQ. WRENCH NUT OR
1 1/2" DIA. HANDWHEEL
OPEN LEFT OR RIGHT
AS REQUIRED.
43.5 TURNS TO OPEN



SLIP-ON ENDS BODY
SCALE : .125 = 1.00

PARTS LIST - GEARED VALVE					
ITEM	DESCRIPTION	REQ'D	MATERIAL	ASTM	
1	CAP SCREW	1	STEEL	A307	GRADE B ZINC PLATED
2	WRENCH NUT	1	CAST IRON	A126	CLASS B
3	VALVE ACTUATOR	1			
4	ACTUATOR GASKET	1	NEOPRENE	D2000	MUELLER R51
5	ADAPTER	1	STEEL	A36	
6	STUFFING BOX GASKET	1	NEOPRENE	D2000	MUELLER R51
7	STUFFING BOX	1	STEEL	A36	
8	HEX HEAD BOLT	2	STEEL	A307	GRADE B ZINC PLATED
10	DRIVE SLEEVE	1	*		
11	KEY	1	STEEL		
12	STEM	1	BRONZE	**	
13	SOCKET HD. CAP SCREW	4	STEEL	A307	GRADE B ZINC PLATED
14	HEX HEAD BOLT	4	STEEL	A307	GRADE B ZINC PLATED
15	"O" RING	3	RUBBER	D2000	MUELLER R34
16	"O" RING	1	RUBBER	D2000	MUELLER R34
17	ANTI-FRICTION WASHER	2	BRASS		
18	BONNET	1	DUCTILE IRON	A536	65-45-12
19	HEX BOLT HEX NUT	12 12	STEEL STEEL	J429 F593	304SS 304SS
20	"O" RING	1	RUBBER	D2000	MUELLER R34
21	DISC NUT	1	BRONZE	B62	
22	DISC	1	***		
23	GUIDE CAP	2	CELCON		
24	FLG X SLIP-ON BODY	1	DUCTILE IRON	A536	65-45-12
25	SLIP-ON BODY	1	DUCTILE IRON	A536	65-45-12
31	EYE BOLT	2	STEEL		ANSI B18.15
32	HEX NUT	2	STEEL	A307	GRADE B ZINC PLATED

PARTS LIST NON-GEARED VALVE					
27	CAP SCREW	1	STEEL	A307	GRADE B ZINC PLATED
28	WRENCH NUT	1	CAST IRON	A126	CLASS B
29	STEM	1	BRONZE	*	
30	STUFFING BOX	1	DUCTILE IRON	A536	65-45-12

NOTE:
ITEM NOS. 27 - 30 REPLACE ITEMS NOS. 1 - 7 & 9 - 14 FOR NON-GEARED VALVE.

- * SUPPLIED W/ACTUATOR BUT FINISHED BY MUELLER CO.
- ** ASTM B138 ALLOY 675 W/ADDED LEAD FOR MACHINABILITY
- *** RUBBER ENCAPSULATED DUCTILE IRON DISC
DUCTILE IRON - ASTM A536 (65-45-12)
RUBBER - MUELLER RUBBER SPEC R88

MUELLER CONFIDENTIAL
Title to and ownership of this engineering data
remains in Mueller Co. No use is to be made
of this data except as specifically authorized
by Mueller Co. Assent on the part of recipients
to these conditions is presumed.

DR BY: JLC	3/20/00	UNLESS OTHERWISE NOTED	THIRD ANGLE PROJECTION	C.D. NO.
CHKD: TRJ	3/20/00	BREAK CAST CORNERS!		PART. NO.
ENGR: RWV	3/21/00	BREAK MACH CORNERS!		
MFR:		TOLERANCES	PURCH. NO.	FINISH ASSY.
MFG:		UNLESS OTHERWISE NOTED	REF. NO.	SCALE
TOOL:		LINEAR	ANGULAR	NONE
FBRY:		±	±	STR. NO.
ECO 1023175 ADDED ITEMS 31 & 32 EYE BOLT & NUT JLC 6/1/00		ECO 1370652 ADDED HEX NUT TO TABLE GPD 11/23/05		ECO 1363292 11.25 WAS 11.56 CORRECTED VIEW REMOVED ITEM 9 CAP 10/17/05
ECO 1018675 RWV 3/21/00		MATERIAL NOTED		
		DESCR. 1 1/4" RWGV SLIP-ON ENDS OR FLG. X SLIP-ON ENDS W/ OR W/O BEVEL GEARING		NUMBER 6663