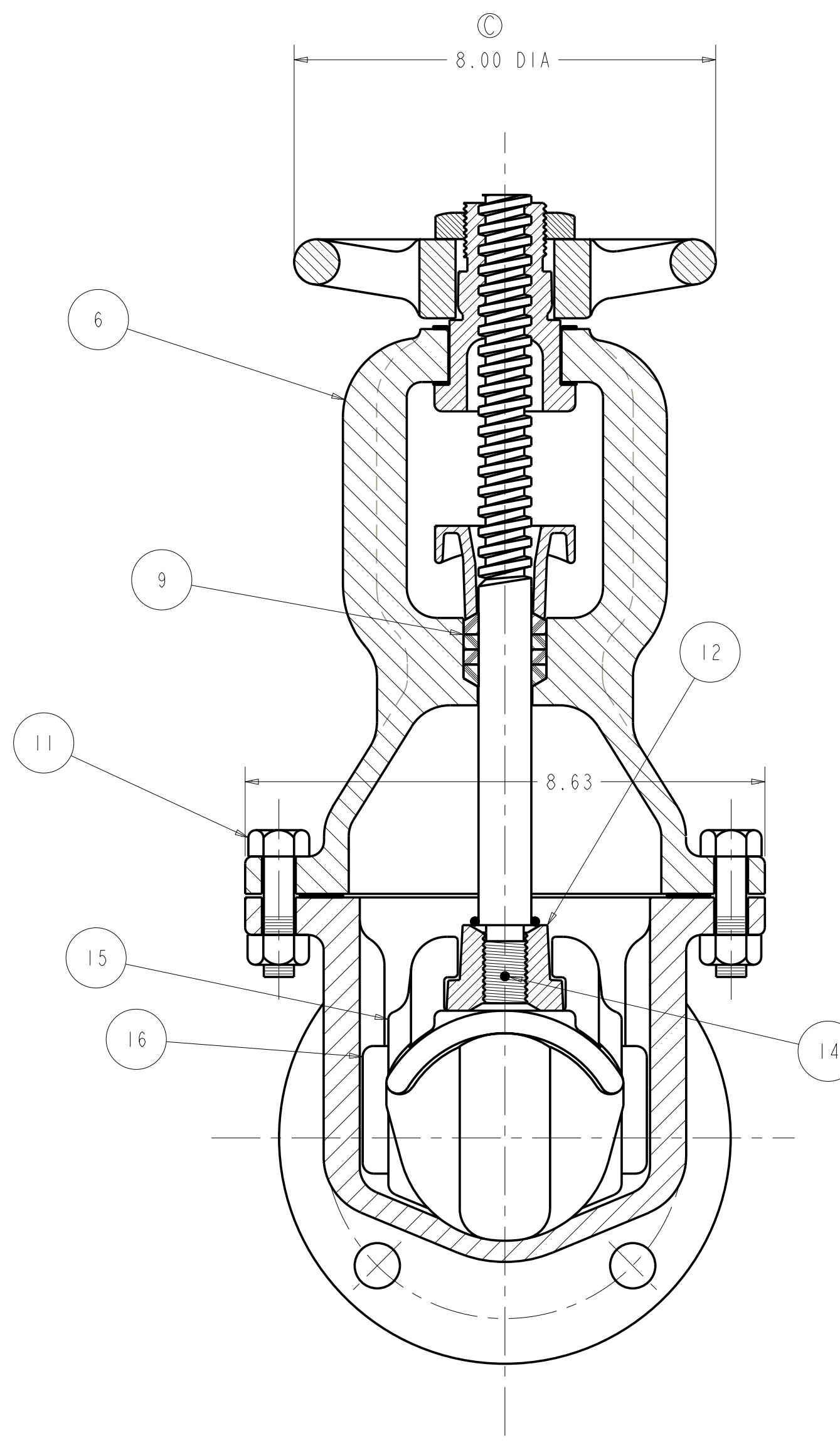
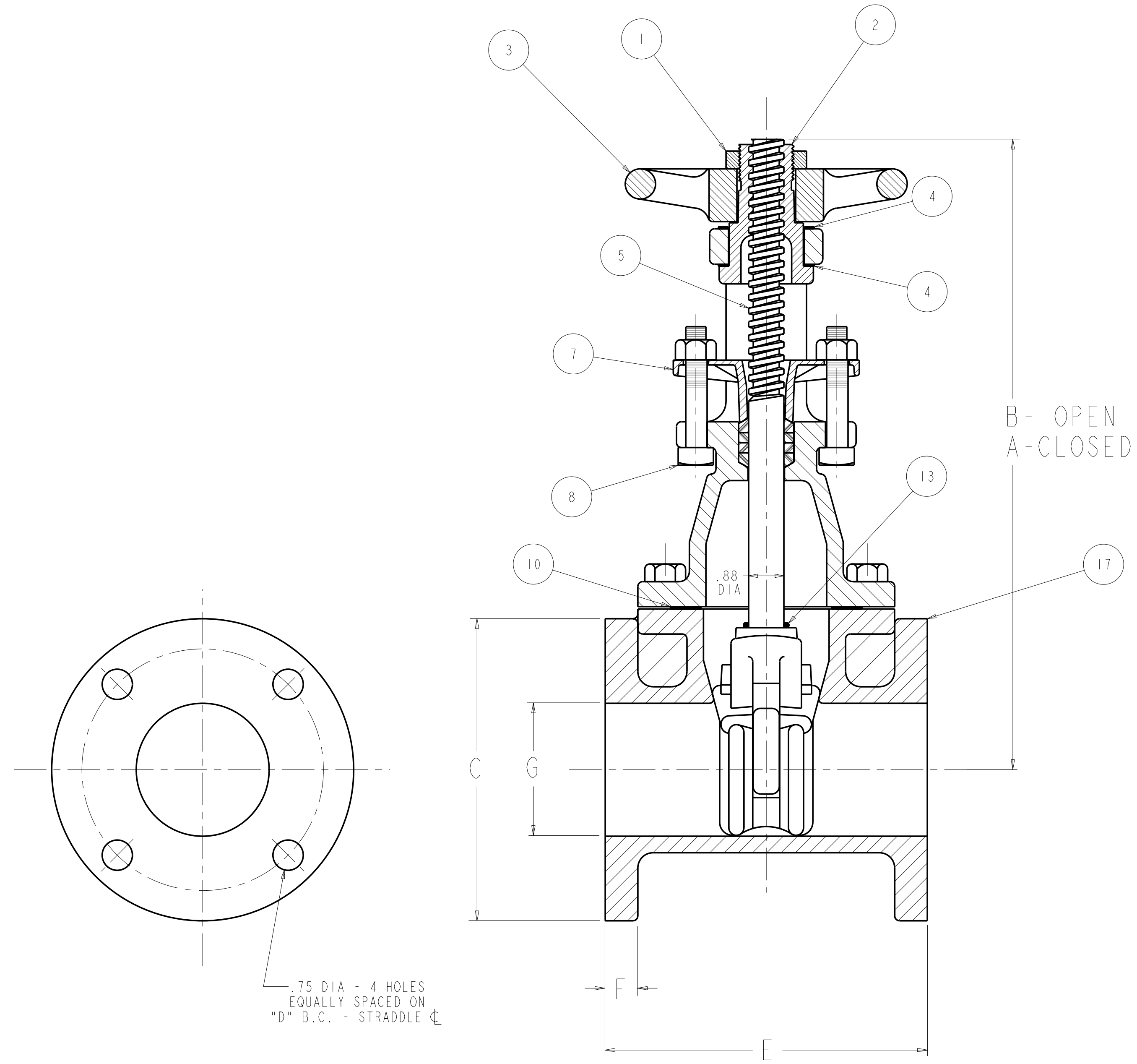


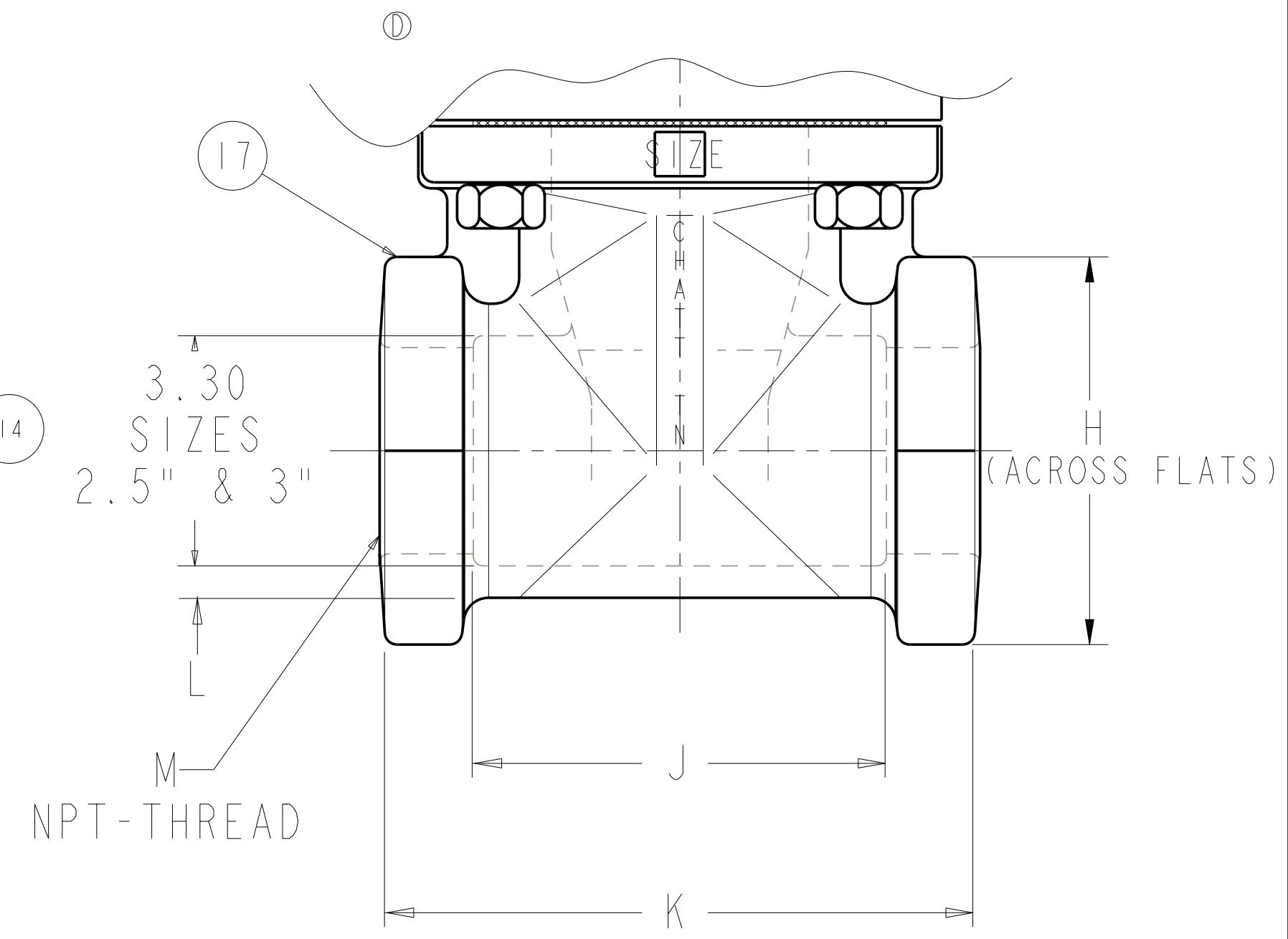


6669 2.5IN & 3IN MUELLER R-2360 RESILIENT WEDGE GATE VALVE - OS&Y - AWWA - 250W - 500 TEST



PARTS LIST				
ITEM	DESCRIPTION	REQ'D	MATERIAL	ASTM
1	CAP NUT	1	BRONZE	B62 ALLOY C83600
2	BUSH NUT	1	BRONZE	B584 ALLOY C84400
3	HANDWHEEL	1	CAST IRON [SEE NOTE 3] (E)	A126 CLASS B
4	WASHER	2	BRASS	
5	STEM	1	BRONZE	SEE NOTE 2 (C)
6	BONNET-YOKE COMBINATION	1	CAST IRON [SEE NOTE 3] (E)	A126 CLASS B
7	GLAND FLANGE	1	DUCTILE IRON	A536 GR. 65-45-12
8	GLAND FLG BOLT GLAND FLG NUT	2	304 STAINLESS STEEL (A) SILICON BRONZE	A193 (C) B98
9	PACKING	4	LUBE FLAX	FED. HH-P-106c
10	BONNET GASKET	1	RUBBER	D2000 R51 (C)
11	BONNET BOLT BONNET NUT	6	304 STAINLESS STEEL (A) 304 STAINLESS STEEL	A193 F594
12	STEM NUT	1	BRONZE	B62 ALLOY C83600
13	O-RING	1	RUBBER	D2000 R34 (C)
14	PIN	1	ST. STEEL	TYPE 304
15	DISC	1	SEE NOTE 1 & 3 (C) (E)	
16	GUIDE CAP	2	CELCON	M90
17	BODY	1	CAST IRON [SEE NOTE 3] (E)	A126 CLASS B

- NOTES:
- (C) 1. RUBBER ENCAPSULATED CAST IRON DISC  
CAST IRON - ASTM - A126 CLASS B  
RUBBER SBR - ASTM - D2000
  - 2. ASTM B138 ALLOY C67500-CDA ALLOY C67600  
WITH ADDED LEAD FOR MACHINABILITY
  - (E) 3. MANUFACTURER'S OPTION TO UPGRADE MAT'L  
TO DI - A536 GR 65-45-12



**SCREW ENDS**

MUELLER CONFIDENTIAL

\*Title and ownership of this engineering data remains in Mueller Co. No use is to be made of this data except as specifically authorized by Mueller Co. Assent on the part of the recipients to these conditions is presumed.\*

SIZE	A	B	C	D	E	F	G	H	J	K	L	M	URNS TO OPEN
2.5	15.91	19.56	7.00	5.50	7.50	.75	2.80	2.10	4.88	6.76	.41	2.5-8	11
3	15.66	19.31	7.50	6.00	8.00	.80	N/A	5.00	5.12	6.88	.41	3-8	11

APPROVED

By CHAD POOLE at 5:55 pm, Nov 18, 2007

DR BY: JLC	DATE: 5/8/00	UNLESS OTHERWISE NOTED	THIRD ANGLE PROJECTION	C.D. NO.
CHKD: TRJ	DATE: 5/8/00	BREAK CAST CORNERS!	PUBC. NO. FINISH ASSY	PART. NO.
ENGR: RWV	DATE: 5/8/00	BREAK MACH CORNERS!		
MFR:		TOLERANCES	STR. NO.	
MFG:		UNLESS OTHERWISE NOTED		
TOOL:		LINEAR		
FBY:		ANGULAR		

MAT'L NOTED

**Mueller Co.** DESCR: 2.5IN & 3IN RWGV R2360 OS&Y - 250WP - 500 TEST NUMBER: 6669