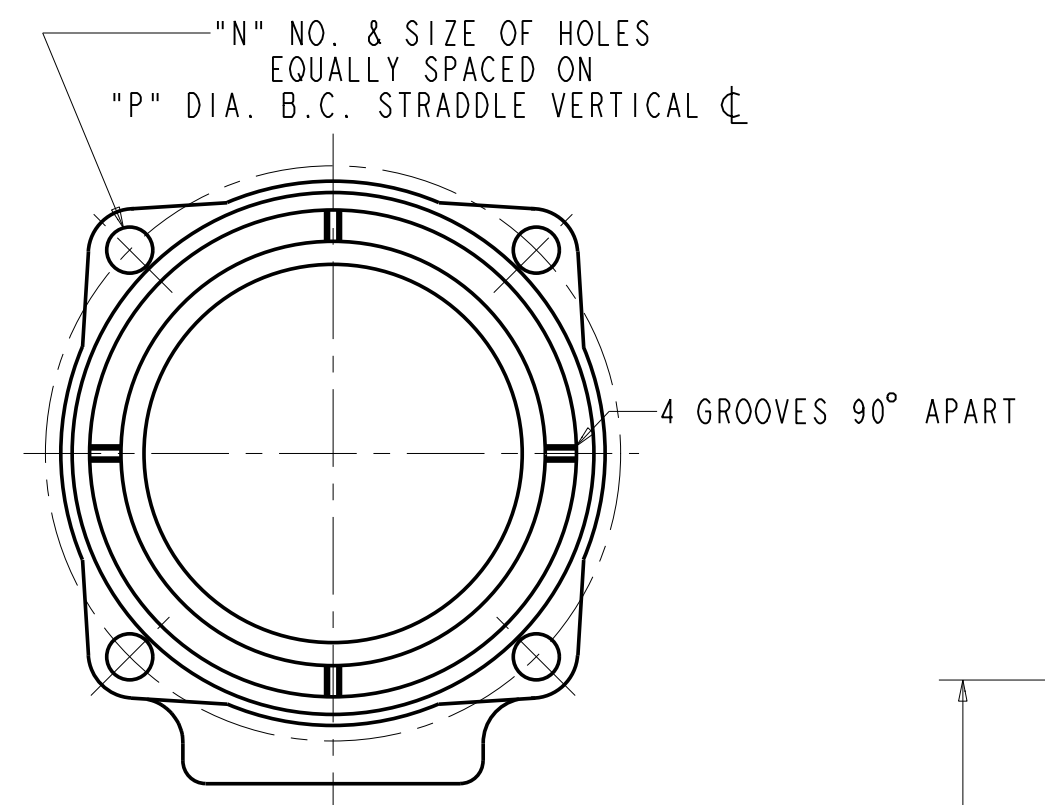
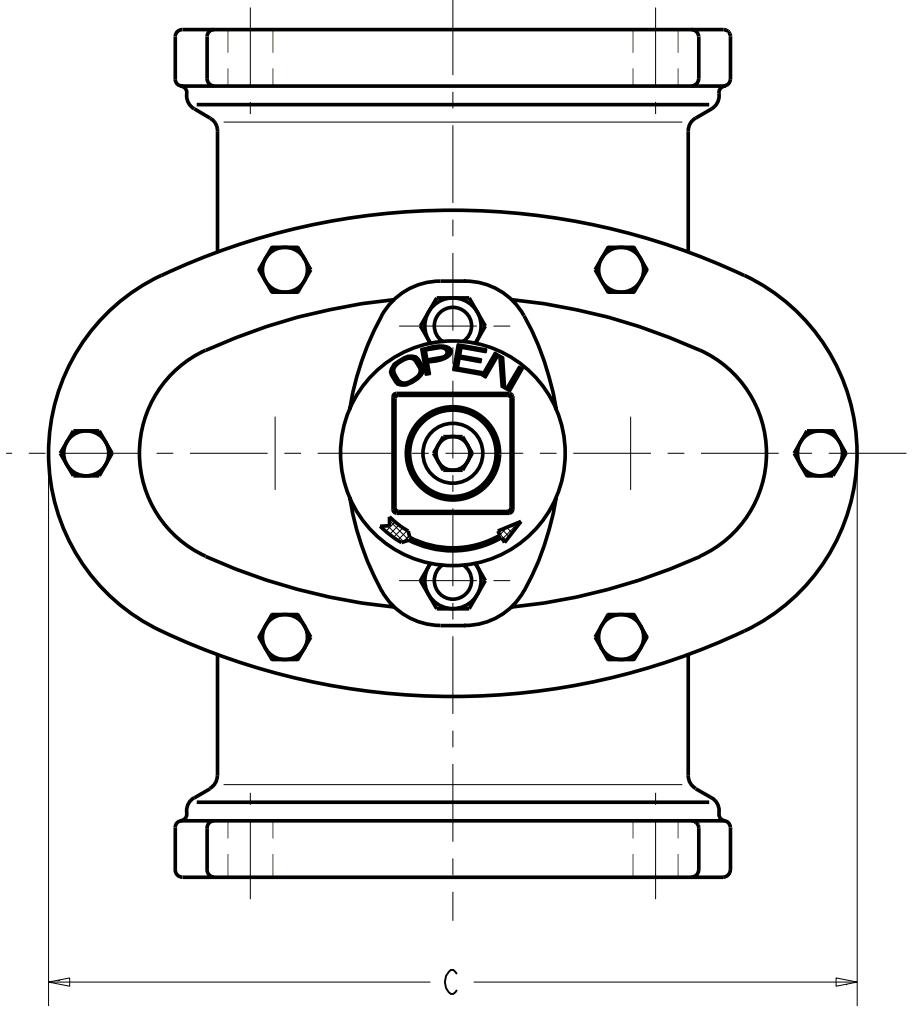
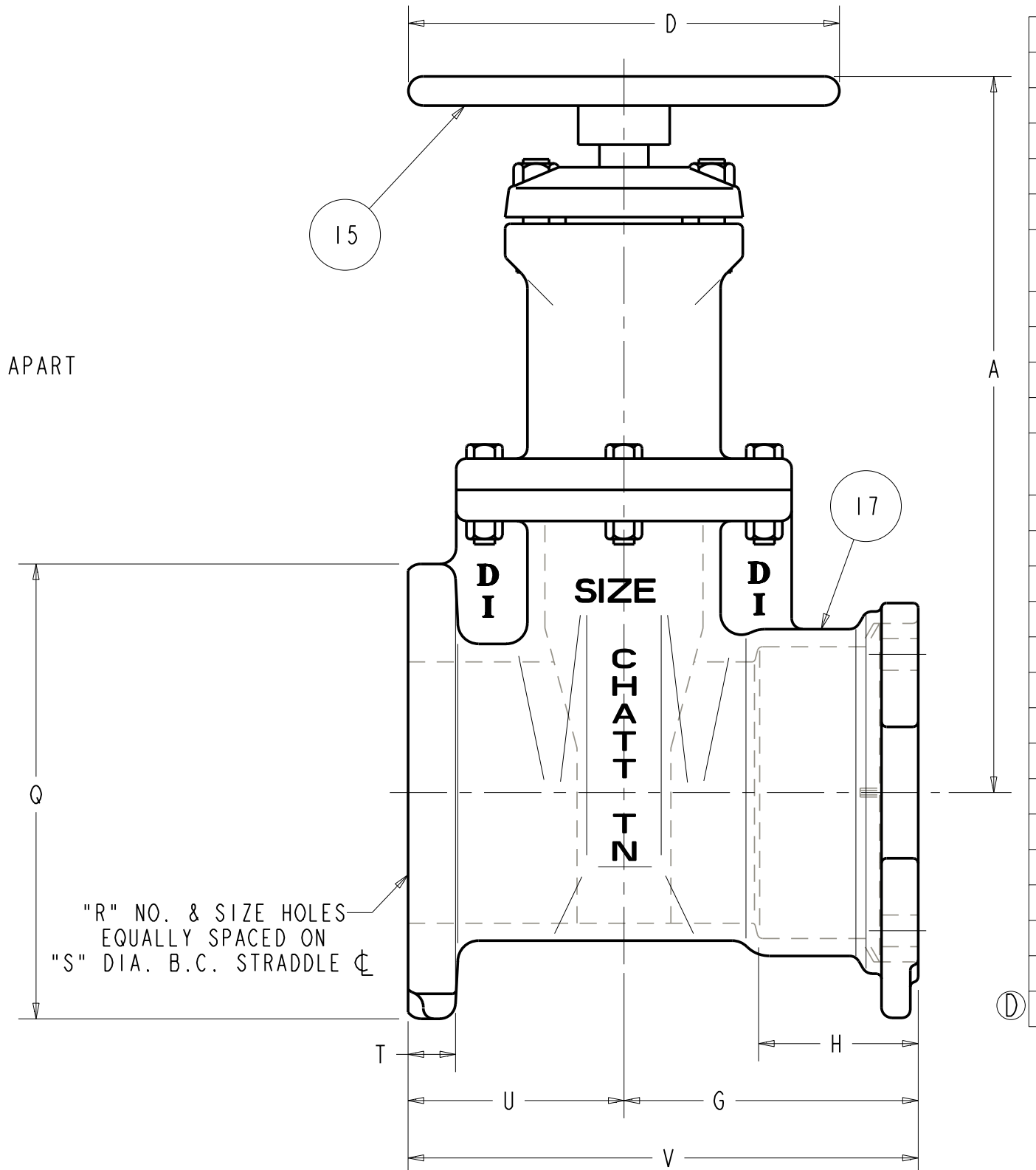


6671 4IN - 12IN MUELLER A-2361 RESILIENT WEDGE GATE VALVE - NRS - AWWA - 250W - 500 TEST
 UL/FM 200W - 400 TEST
 W/AQUAGRIP, M.J. X AQUAGRIP & FLANGE X AQUAGRIP ENDS

MUELLER CONFIDENTIAL
 Title to and ownership of this engineering data remains in Mueller Co. No use is to be made of this data except as specifically authorized by Mueller Co. Assent on the part of recipients to these conditions is presumed.



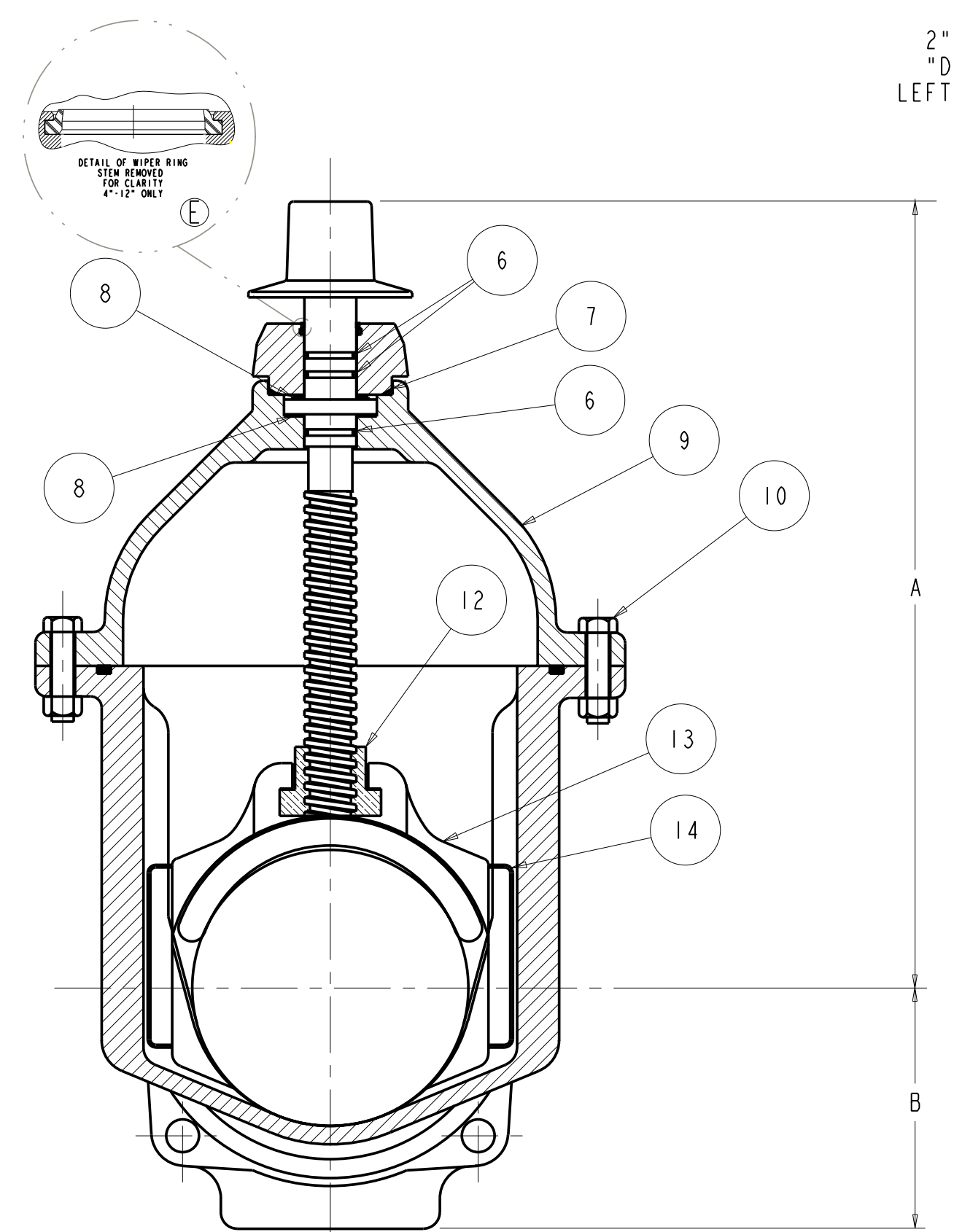
VIEW OF AQUAGRIP END FACE



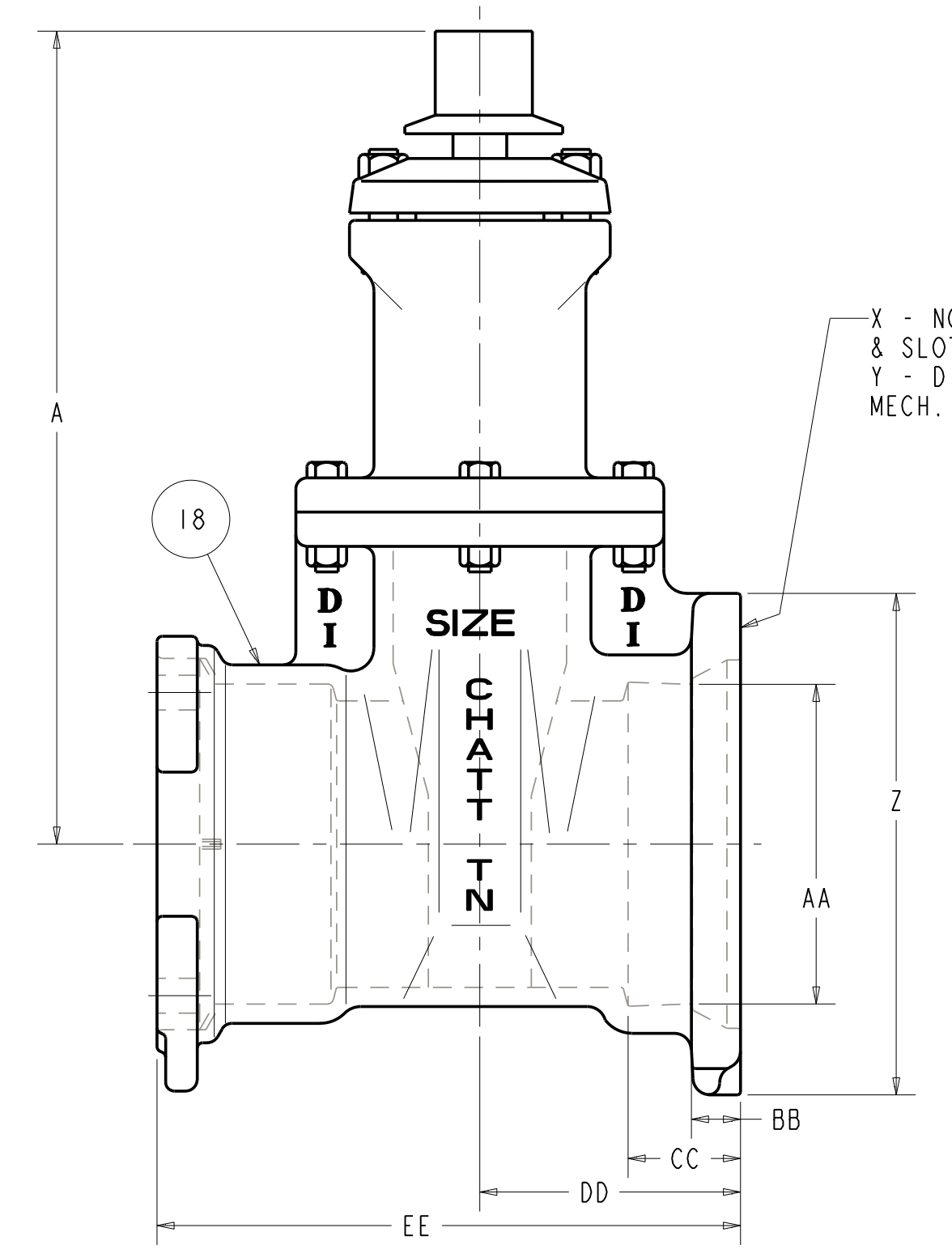
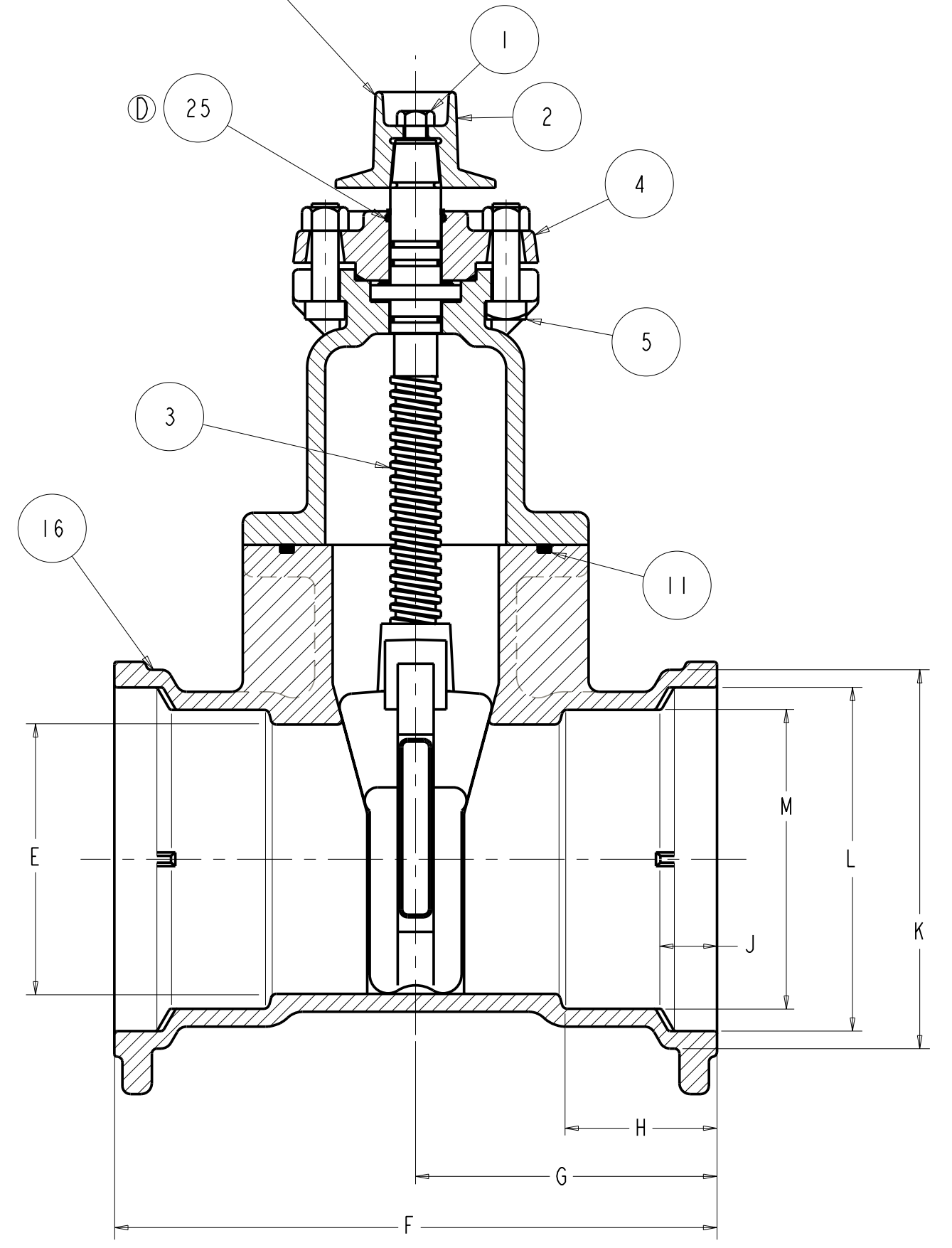
FLANGE X AQUAGRIP ENDS

ITEM	DESCRIPTION	REQ'D	MATERIAL	ASTM	GRADE
1	CAP SCREW	1	304 STAINLESS STEEL	A193	GRADE B8
2	WRENCH NUT	1	CAST IRON (SEE NOTE 2)	A126	CLASS B
3	STEM	1	BRONZE	B138	ALLOY C67600
4	STUFFING BOX	1	CAST IRON (SEE NOTE 2)	A126	CLASS B
5	STUFFING BOX BOLT	2	304 STAINLESS STEEL	A193	GRADE B8
6	STUFFING BOX NUT	2	304 STAINLESS STEEL	F594	GROUP 1
6	O-RING	3	RUBBER	D2000	R34
7	O-RING	1	RUBBER	D2000	R34
8	ANTI-FRICTION WASHER	2	CELCON		M90
9	BONNET	1	DUCTILE IRON	A536	GRADE 65-45-12
10	BONNET BOLT	"W"	304 STAINLESS STEEL	A193	GRADE B8
11	BONNET GASKET (O-RING)	1	RUBBER	D2000	R34
12	DISC NUT	1	BRONZE	B62	ALLOY C83600
13	DISC	1	SEE NOTES 1 & 2		
14	GUIDE CAP	2	CELCON		M90
15	HANDWHEEL	1	CAST IRON (SEE NOTE 2)	A126	CLASS B
16	BODY - AQUAGRIP ENDS	1	DUCTILE IRON	A536	GRADE 65-45-12
17	BODY - FLG. X AQUAGRIP	1	DUCTILE IRON	A536	GRADE 65-45-12
18	BODY - M.J. X AQUAGRIP	1	DUCTILE IRON	A536	GRADE 65-45-12
**19	GASKET (DOUBLE O-RING)	1	RUBBER	D2000	EPDM-R108
**20	INTERMEDIATE RING	1	DUCTILE IRON	A536	GRADE 65-45-12
**21	GRIPPER RING	1	DUCTILE IRON	A536	GRADE 65-45-12
**22	END RING	1	DUCTILE IRON	A536	GRADE 65-45-12
**23	T-HEAD BOLTS	"FF"	STEEL	A242	LOW ALLOY (CORTEN)
**24	BREAK-AWAY NUTS	"FF"	STEEL	A108	ZINC PLATED
25	WIPER RING	1	RUBBER	D2000	

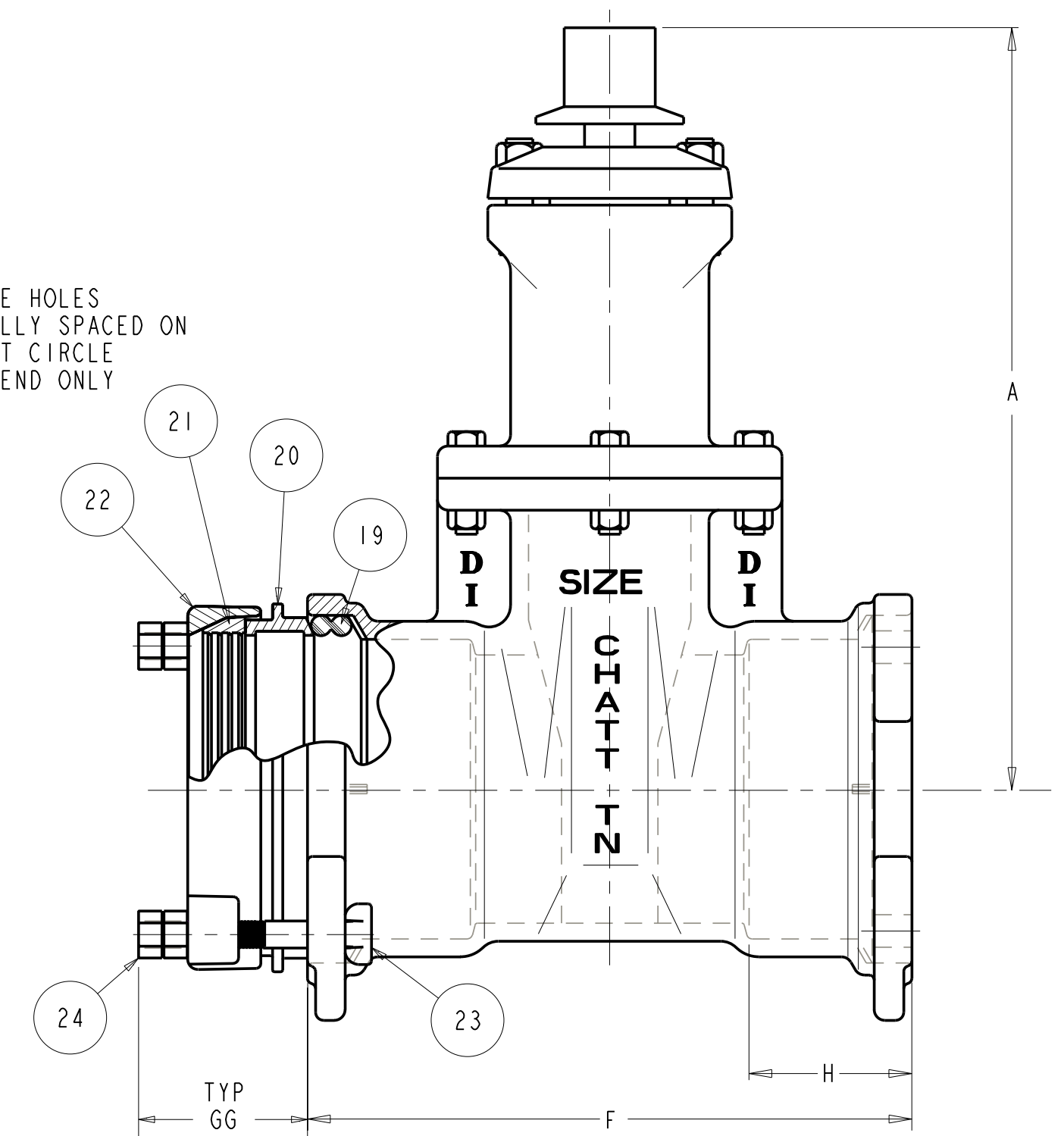
- 1. RUBBER ENCAPSULATED CAST IRON DISC
CAST IRON - ASTM A126 CLASS B
RUBBER - SBR - ASTM D2000
 - 2. MANUFACTURER'S OPTION TO UPGRADE MAT'L TO D1 - A536 GR 65-45-12
- ** QUANTITY PER AQUAGRIP ASSEMBLY



2" SQUARE WRENCH NUT OR "D" DIA. HANDWHEEL OPEN LEFT OR RIGHT AS REQUIRED



MECHANICAL X AQUAGRIP ENDS



AQUAGRIP X AQUAGRIP ENDS

VALVE SIZE	A	B	C	D	E	F	G	H	J	K	L	M	N	P	Q	R	S	T	U	V	W	X	Y	Z	AA	BB	CC	DD	EE	FF	GG	URNS TO OPEN
4	14.19	4.50	10.79	11.00	4.30	12.68	6.34	3.70	1.08	6.56	5.75	4.95	4 - 0.88	7.50	9.00	8 - 0.75	7.50	1.94	4.50	10.84	4	4 - 0.88	7.50	9.12	4.90	1.00	2.50	5.00	11.34	4	2.75	14
6	18.00	5.50	13.50	13.00	6.30	15.12	7.56	3.70	1.28	8.81	8.05	7.12	4 - 0.88	9.75	11.00	8 - 0.88	9.50	1.06	5.25	12.81	6	6 - 0.88	9.50	11.12	7.00	1.09	2.50	5.81	13.37	4	3.75	20.5
8	21.50	6.75	16.36	14.00	8.30	16.94	8.47	3.70	1.28	10.88	10.20	9.28	6 - 0.88	11.96	13.50	8 - 0.88	11.75	1.19	5.75	14.22	6	6 - 0.88	11.75	13.37	9.15	1.18	2.50	6.34	14.81	6	3.75	26.5
10	25.50	8.00	19.99	16.00	10.30	18.04	9.02	3.89	1.47	12.92	12.29	11.31	8 - 0.88	14.00	16.00	12 - 1.00	14.25	1.25	6.50	15.53	8	8 - 0.88	14.00	15.62	11.20	1.25	2.50	7.38	16.41	8	3.75	33
12	28.62	9.50	21.00	16.00	12.30	18.90	9.45	3.89	1.47	15.14	14.40	13.40	8 - 0.88	16.25	19.00	12 - 1.00	17.00	1.31	7.00	16.45	8	8 - 0.88	16.25	17.88	13.30	1.31	2.50	7.44	16.89	8	3.75	38.5

(A) UPDATED TO NEW AQUAGRIP DESIGN
 ADDED M.J. X AQUAGRIP DESIGN
 ADDED AQUAGRIP ASSEMBLY VIEW
 UPDATED CHARTS
 ECO1035272
 JWB 11-27-2000

(B) ECO1279040
 ADDED 10"
 UPDATED COLUMNS: F-M, T.V, BB, EE
 FCM 1-27-03

(C) ECO 1343689
 STAINLESS STEEL
 WAS STEEL ZINC
 COATED
 CAP 04/06/05

(D) ECO 1345588
 ADDED ITEM 25,
 WIPER RING
 DETAIL
 CAP 05/03/05

(E) ECO 1366670
 ADDED WIPER
 RING
 DETAIL
 CAP 11/10/05

(F) ECO 1382661
 10.79 WAS 10.81
 16.36 WAS 16.38
 19.99 WAS 19.92
 .94 WAS .78
 1.06 WAS .93
 1.19 WAS .93
 1.25 WAS 1.00
 1.31 WAS 1.06
 1.00 WAS .60
 1.09 WAS .66
 1.18 WAS .69
 1.25 WAS .72
 1.31 WAS .75
 5.81 WAS 5.75
 6.34 WAS 6.25
 13.37 WAS 13.31
 A193 WAS A194
 GRADE B8 WAS GRADE B
 R34 WAS NITRILE
 ADDED D2000
 ADDED R108
 ADDED R34
 JBG 02/13/06
 18.04 WAS 18.06
 10.88 WAS 11.02
 14.81 WAS 14.72

(G) ECO 1451170
 ADDED MANUFACTURER'S OPTION
 NOTE 1 WAS "*" & ADDED NOTE 2
 MCB 10/22/07

APPROVED
 By CHAD POOLE at 6:29 pm, Nov 18, 2007

SR BY: JLC 6/6/00 CHNG: TRJ 6/8/00 ENGR: RWV 6/8/00 MGR: TOL: FDRY:	UNLESS OTHERWISE NOTED BREAK CAST CORNERS! BREAK MACH CORNERS! TOLERANCES UNLESS OTHERWISE NOTED LINEAR ± ANGULAR ±	THIRD ANGLE PROJECTION PURCH. NO. NONE FINISH ASSY REF. NO. SCALE NONE STR. NO.	C.D. NO. PART. NO. NUMBER 6671
--	---	---	---

ECO 1023263
 MAT'L NOTED
 DESCR. 4IN - 12IN RWG A2361
 W/AQUAGRIP, M.J. X AQUAGRIP & FLANGE X AQUAGRIP ENDS