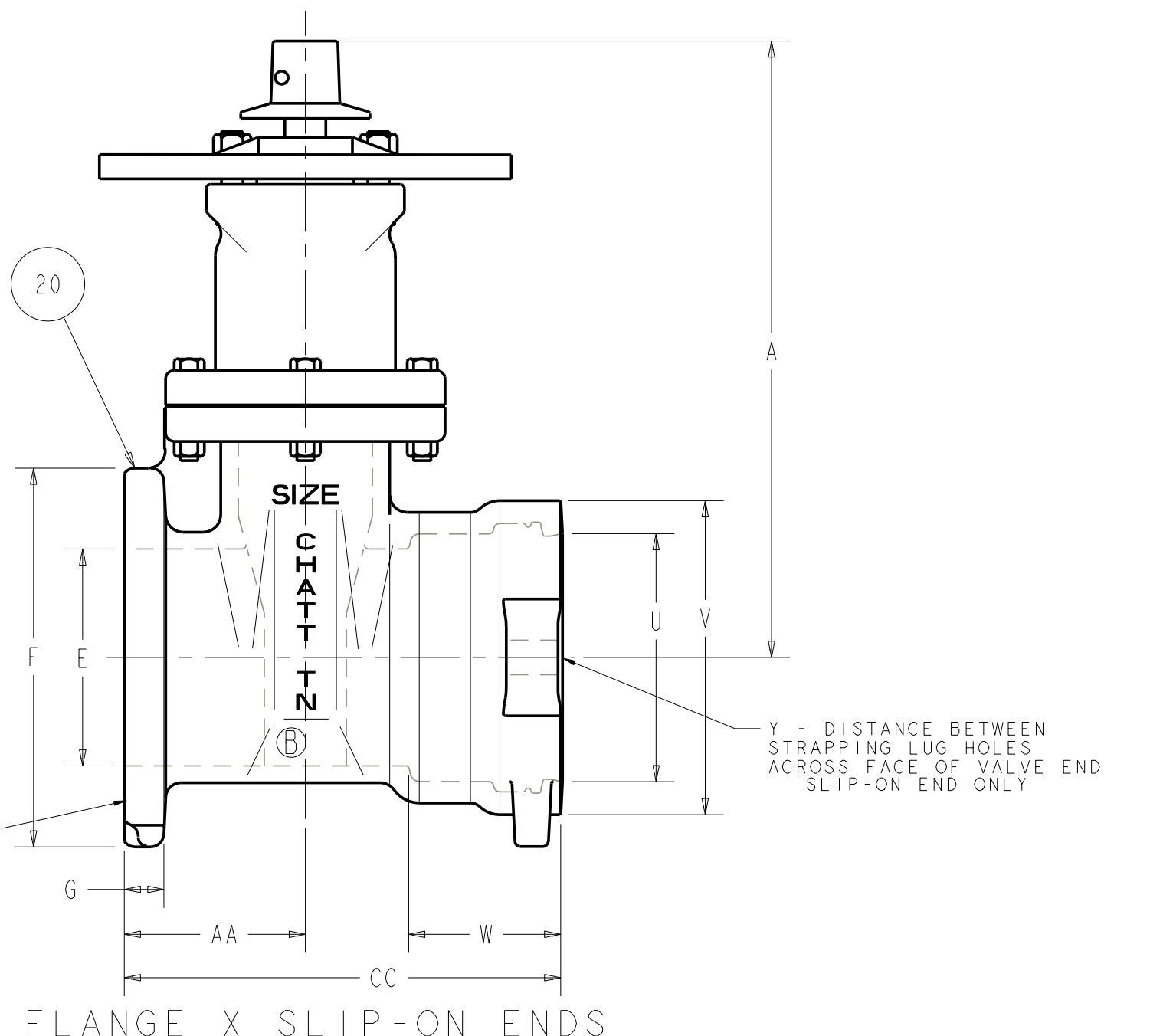
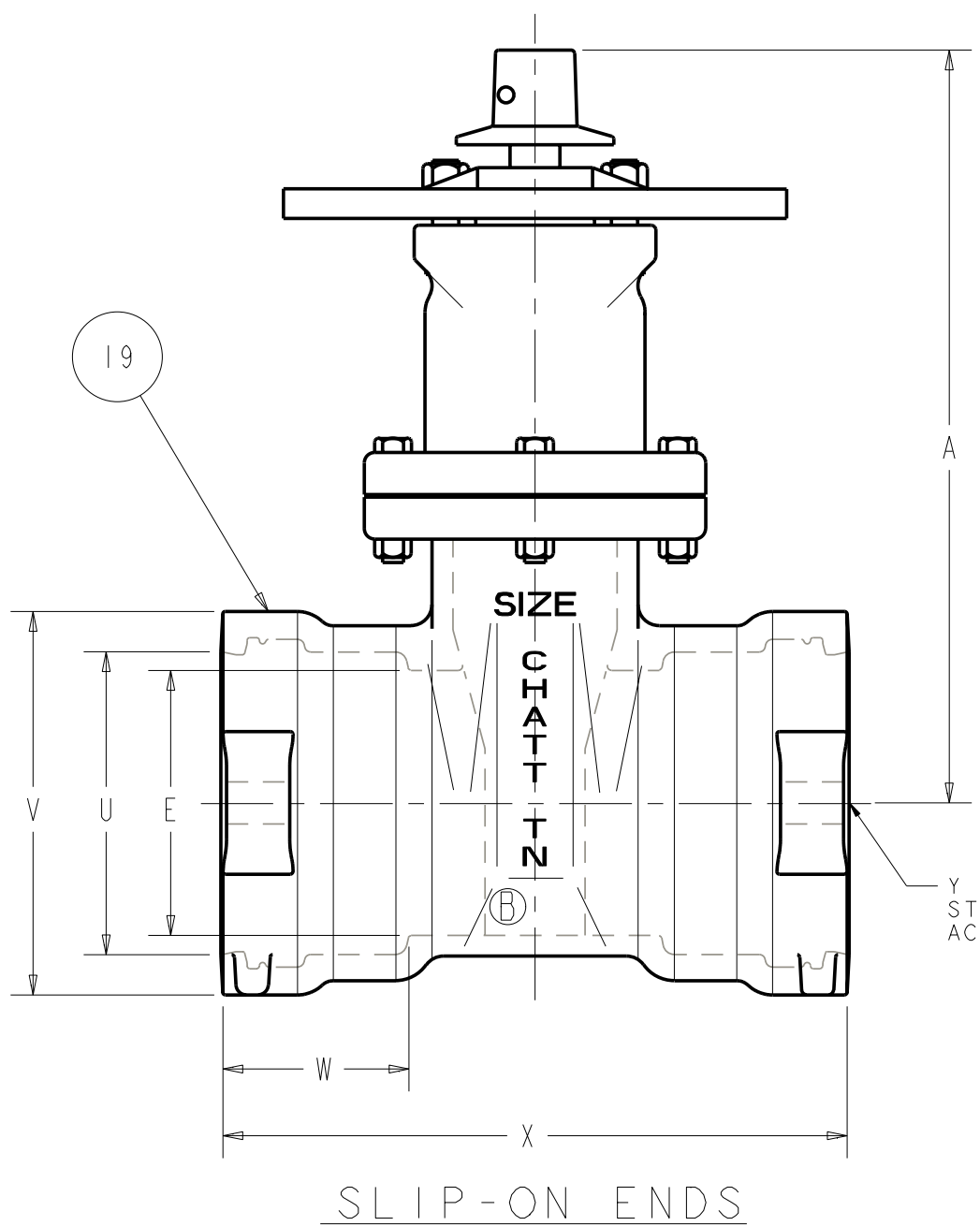
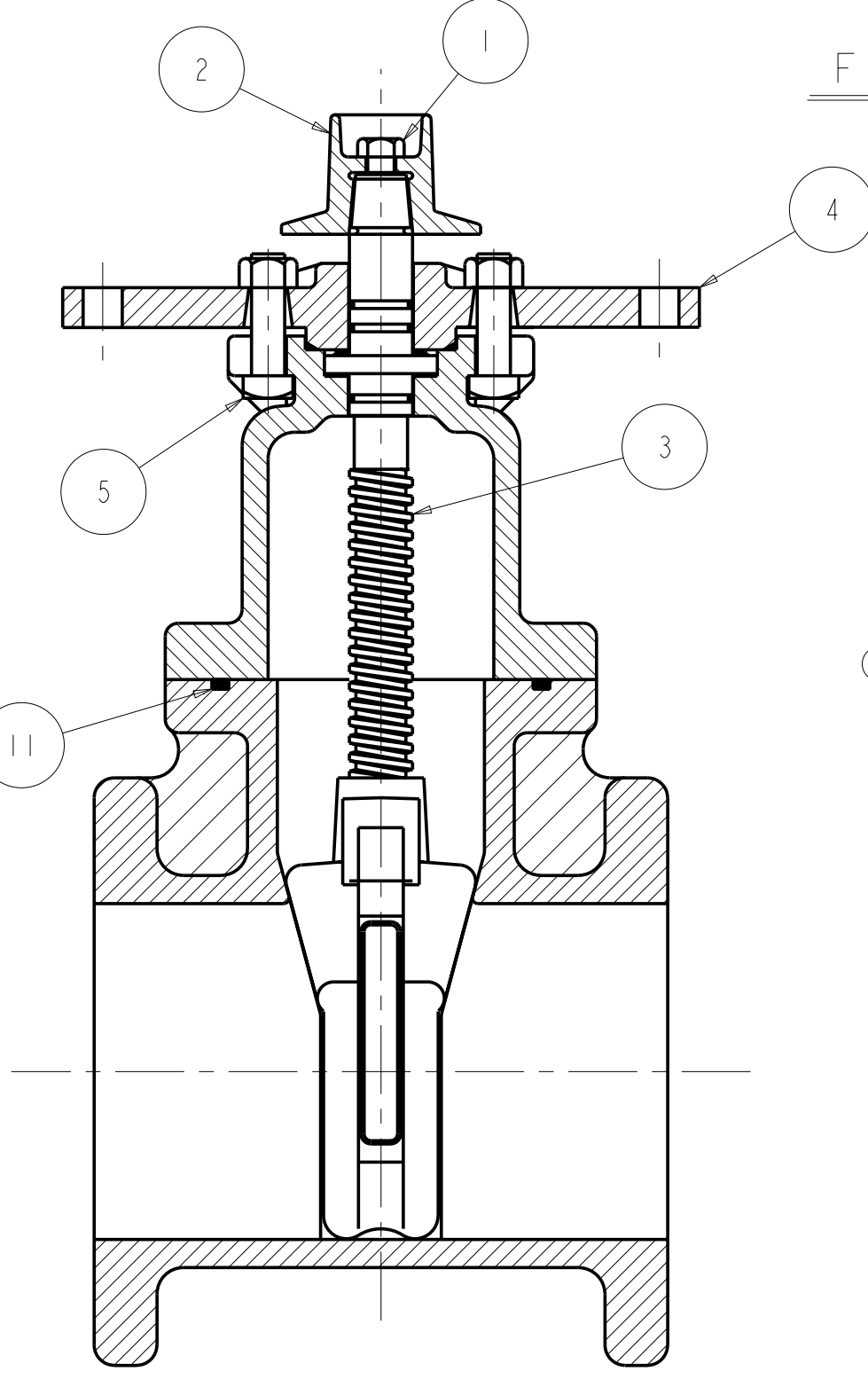
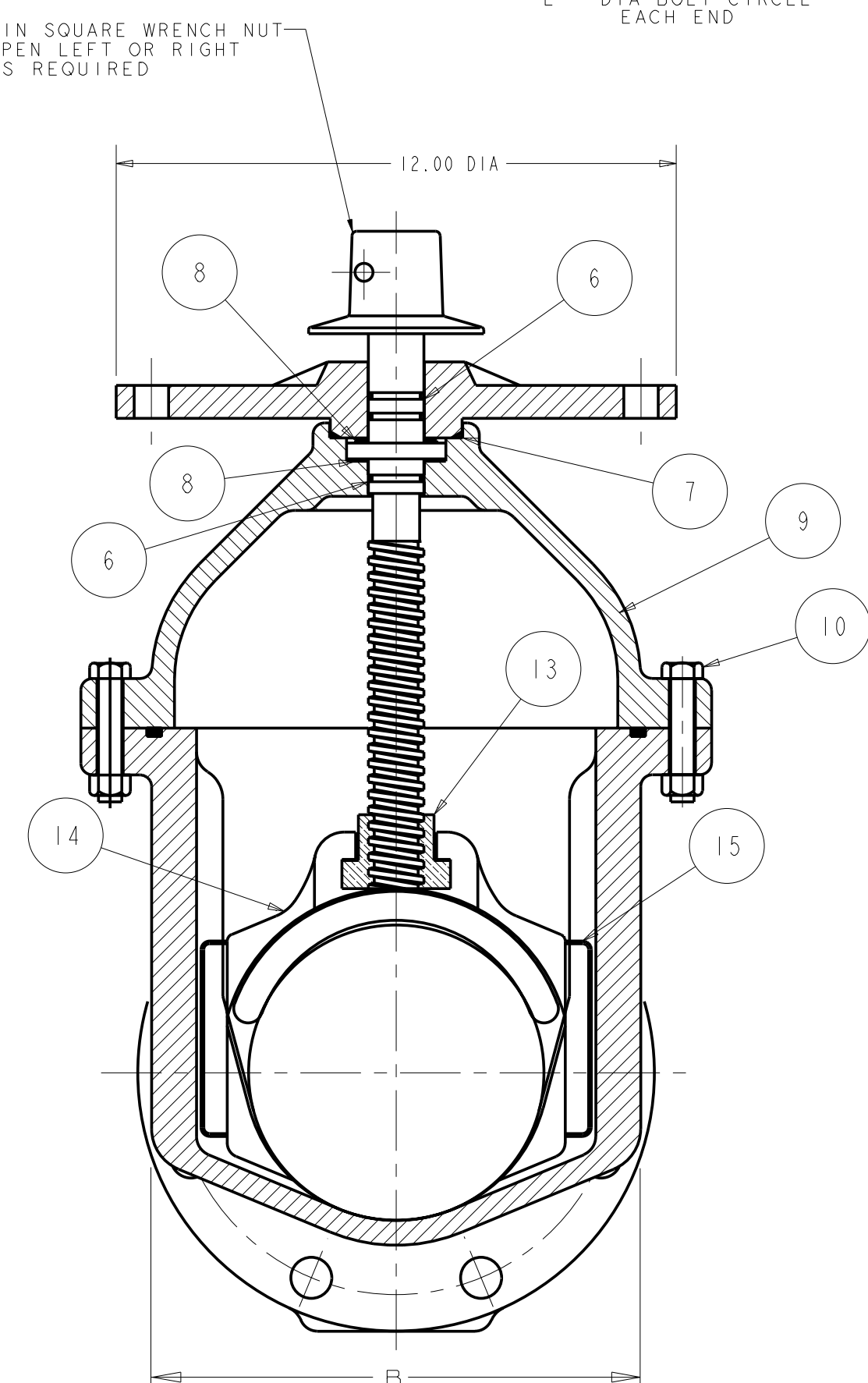
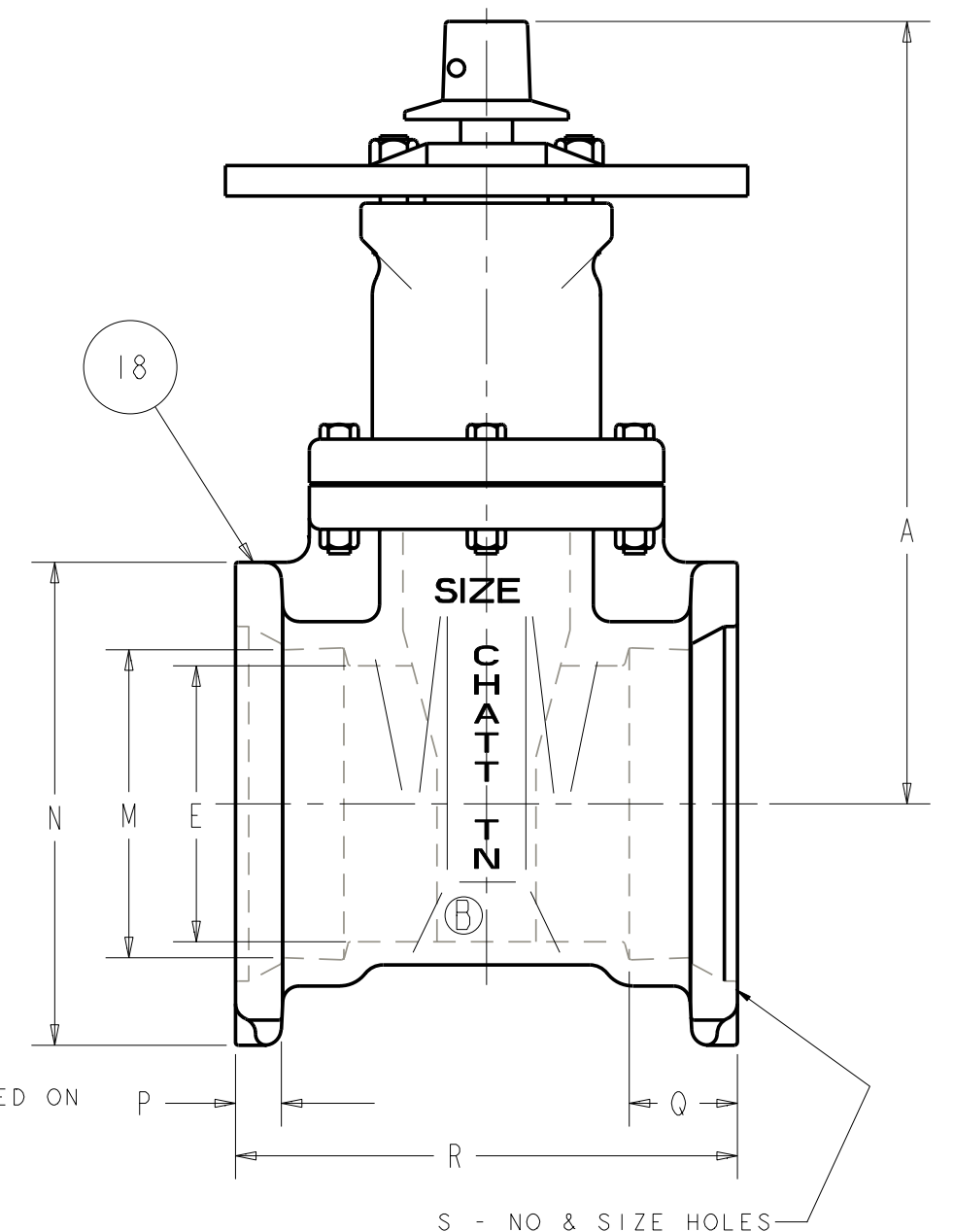
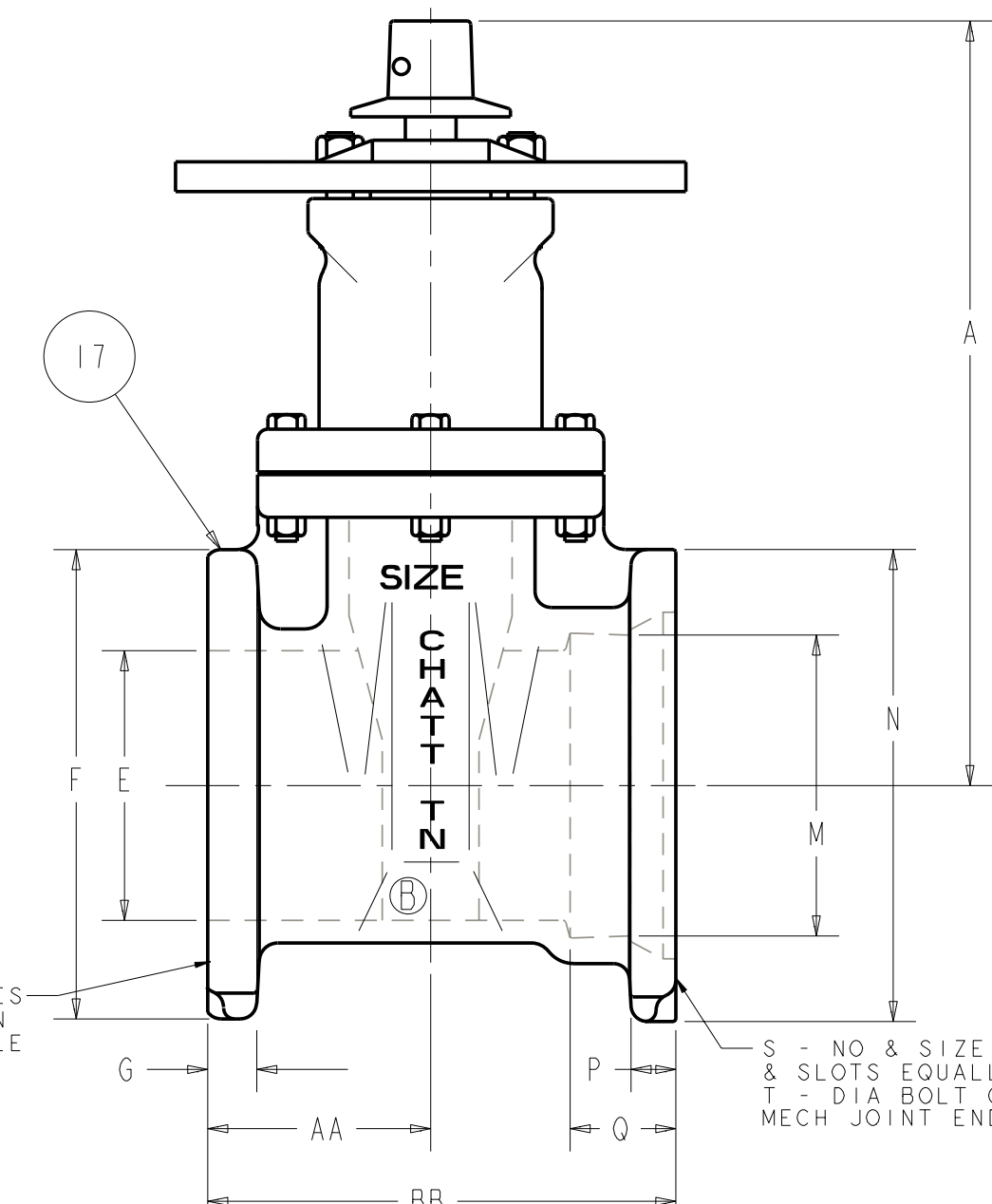
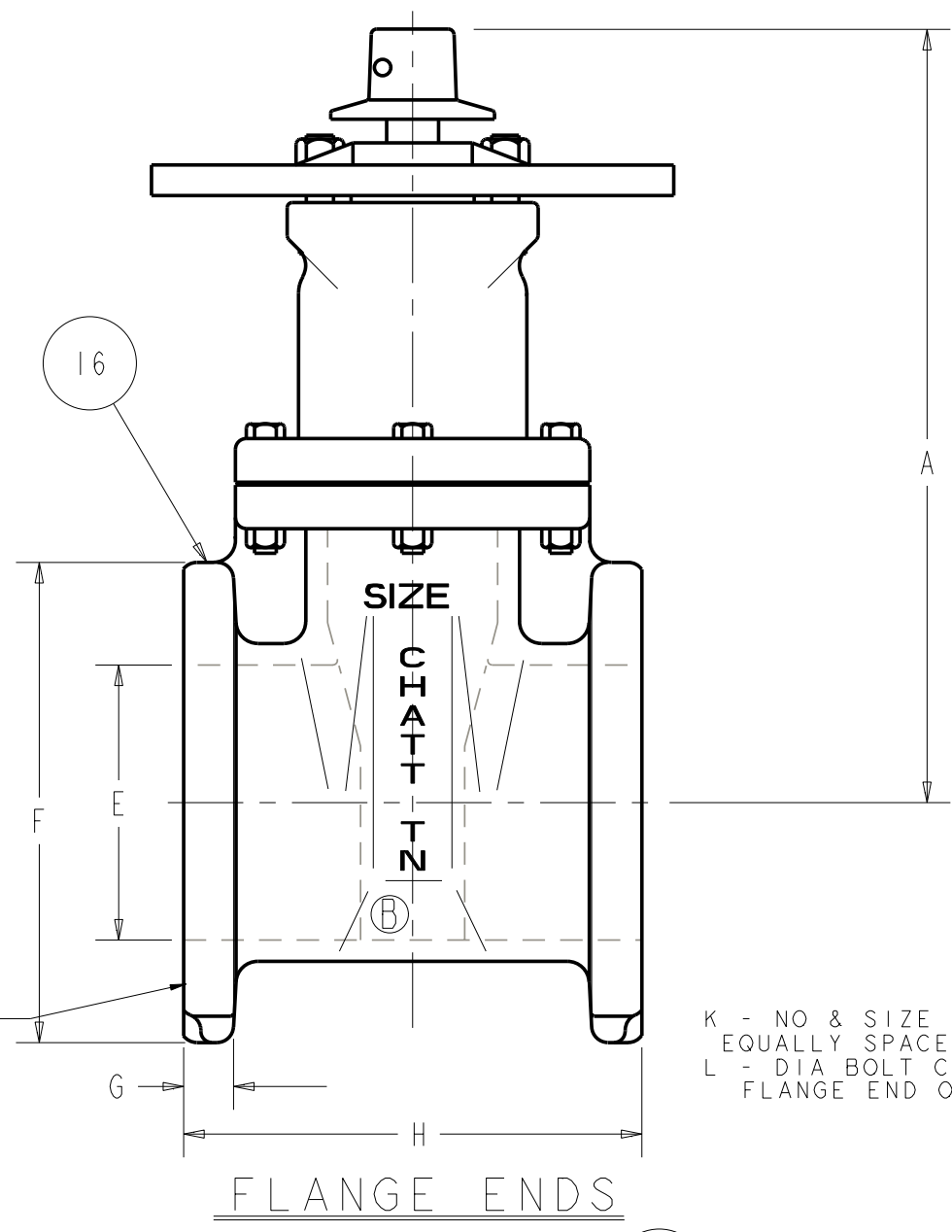
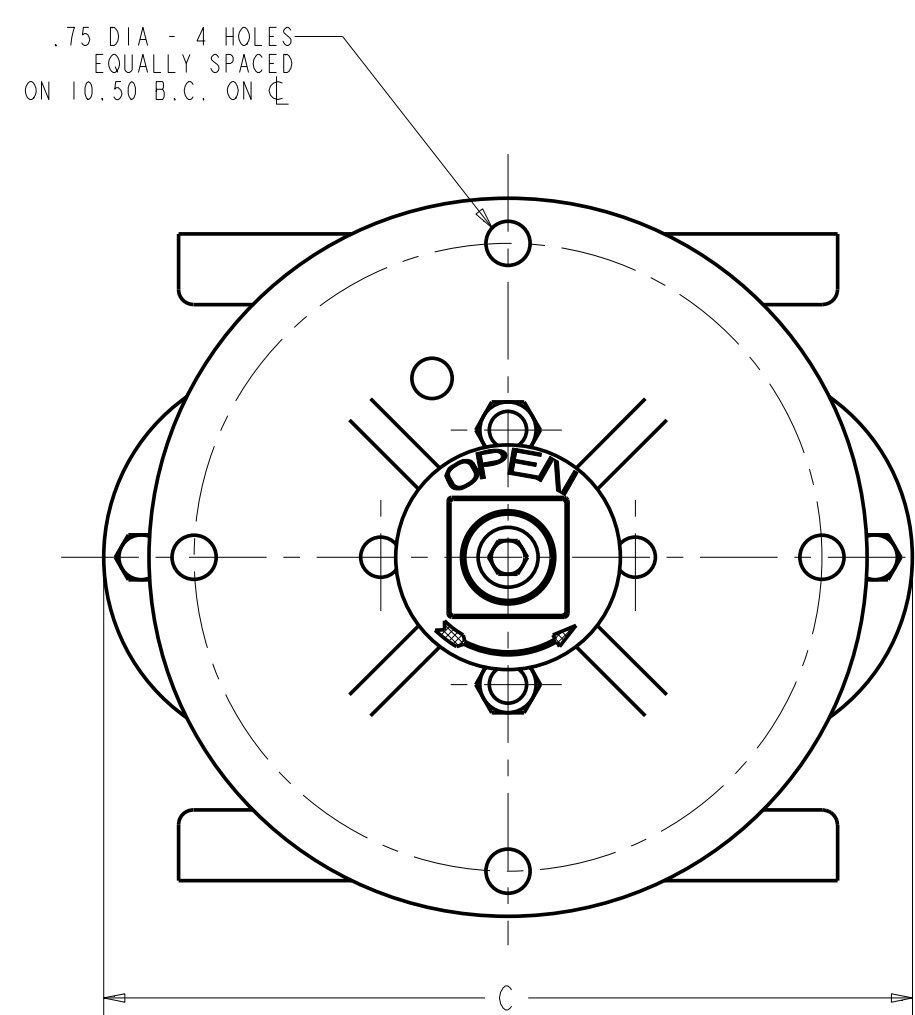




6683 4IN - 12IN MUELLER P-2360 RESILIENT WEDGE POST INDICATOR GATE VALVE - NRS - AWWA - 250W - 500 TEST - UL/FM - 200W - 400TEST



PART LIST					
ITEM	DESCRIPTION	REQD	MATERIAL	ASTM	
1	CAP SCREW	1	304 STAINLESS STEEL	A193	GRADE B8
2	WRENCH NUT	1	CAST IRON (SEE NOTE 2)	A126	CLASS B
3	STEM	1	BRONZE	B138	ALLOY C67600
4	STUFFING BOX	1	CAST IRON (SEE NOTE 2)	A126	CLASS B
5	STUFFING BOX BOLTS STUFFING BOX NUTS	2	304 STAINLESS STEEL 304 STAINLESS STEEL	A193 F594	GRADE B8 GROUP 1
6	O-RING	3	RUBBER	D2000	R34
7	O-RING	1	RUBBER	D2000	R34
8	ANTI-FRICTION WASHER	2	CELCON		M90
9	BONNET	1	CAST IRON (SEE NOTE 2)	A126	CLASS B
10	BONNET BOLTS BONNET NUTS	"2"	304 STAINLESS STEEL 304 STAINLESS STEEL	A193 F594	GRADE B8 GROUP 1
11	BONNET GASKET (O-RING)	1	RUBBER	D2000	R34
13	DISC NUT	1	BRONZE	B62	ALLOY C83600
14	DISC	1	SEE NOTES 1 & 2		
15	GUIDE CAP	2	CELCON		M90
16	BODY - FLANGE ENDS	1	CAST IRON (SEE NOTE 2)	A126	CLASS B
17	BODY - FLANGE x MJ ENDS	1	CAST IRON (SEE NOTE 2)	A126	CLASS B
18	BODY - MJ ENDS	1	CAST IRON (SEE NOTE 2)	A126	CLASS B
19	BODY - SLIP-ON ENDS	1	CAST IRON (SEE NOTE 2)	A126	CLASS B
20	BODY - FLANGE x SLIP-ON END	1	CAST IRON (SEE NOTE 2)	A126	CLASS B

NOTES:  
 1. RUBBER ENCAPSULATED CAST IRON DISC  
 CAST IRON - ASTM A126 - CLASS B  
 RUBBER - SBR - ASTM D2000  
 2. MANUFACTURER'S OPTION TO UPGRADE MAT'L  
 TO D1 - A536 GR 65-45-12

DIMENSIONS FOR MUELLER RESILIENT WEDGE VALVE - INCHES (this drawing only)																										
VALVE SIZE	A	B	C	E	F	G	H	K	L	M	N	P	Q	R	S	T	U	V	W	X	Y	Z	AA	BB	CC	TURN TO OPEN
4	14.19	8.25	10.79	4.30	9.00	0.94	9.00	8 - 0.75	7.50	4.90	9.12	1.00	2.50	10.00	4 - 0.88	7.50	4.92	6.88	4.12	12.81	8.62	4	4.50	9.50	10.91	14
6	18.00	10.50	13.50	6.30	11.00	1.06	10.50	8 - 0.88	9.50	7.00	11.12	1.09	2.50	11.60	6 - 0.88	9.50	7.02	9.12	4.38	14.96	10.62	6	5.25	11.06	12.73	20.5
8	21.50	13.21	16.36	8.30	13.50	1.19	11.50	8 - 0.88	11.75	9.15	13.37	1.18	2.50	12.68	6 - 0.88	11.75	9.30	11.38	5.62	17.94	13.12	6	5.75	12.09	14.72	26.5
10	25.50	16.48	19.99	10.30	16.00	1.25	13.00	12 - 1.00	14.25	11.20	15.62	1.25	2.50	14.88	8 - 0.88	14.00	11.38	13.50	5.62	18.50	16.38	8	6.50	13.94	15.75	33
12	28.62	16.83	21.00	12.30	19.00	1.31	14.00	12 - 1.00	17.00	13.30	17.88	1.31	2.50	15.00	8 - 0.88	16.25	13.33	15.75	5.62	18.70	18.12	8	7.00	14.50	16.35	38.5

MUELLER CONFIDENTIAL  
 Title to and ownership of this engineering data remains in Mueller Co. No use is to be made of this data, except as specifically authorized by Mueller Co. Assent on the part of recipients to these conditions is presumed.

ECO 1343751 CHANGED TO SS BOLTS/NUTS WERE ZINC COATED STEEL CAP 04/07/05	ECO 1366776 CHATT TN WAS MUELLER REMOVED BONNETNOTE CAP 11/17/05	ECO 1382047 8.25 WAS 8.19 13.21 WAS 13.12 16.83 WAS 16.75 1.06 WAS 1.00 1.25 WAS 1.19 1.31 WAS 1.25 1.25 WAS 1.19	JBG 02/08/06 13.30 WAS 13.20 1.09 WAS 1.06 9.30 WAS 9.19 1.06 WAS 1.00 1.31 WAS 1.25 11.60 WAS 11.50	1.31 WAS 1.25 14.88 WAS 14.75 15.00 WAS 14.88 18.70 WAS 18.62 9.30 WAS 9.19 11.38 WAS 11.25 13.33 WAS 13.31 14.96 WAS 14.81	12.68 WAS 12.50 18.50 WAS 18.43 18.70 WAS 18.62 15.75 WAS 15.72 16.35 WAS 16.31 12.09 WAS 12.00 13.94 WAS 13.88 14.50 WAS 14.44	17.94 WAS 17.88 14.72 WAS 14.69 15.75 WAS 15.72 16.35 WAS 16.31 12.73 WAS 12.66 13.94 WAS 13.88 NOTE 1 WAS "4"	10.79 WAS 10.81 16.36 WAS 16.38 19.99 WAS 19.92 ADDED M90 ADDED A126 R34 WAS NITRILE NOTE 1 WAS "4"	ECO 1451508 ADDED MANUFACTURER'S NOTE ADDED NOTE 2 MCB 10/25/07
---	--	--	--	--	--	--	--	--

**APPROVED**  
 By CHAD POOLE at 6:30 pm, Nov 18, 2007

ECO 1028187

SR BY: JLC	DATE: 05/16/00	UNLESS OTHERWISE NOTED	THIRD ANGLE PROJECTION	C.D. NO.
CHKD: TRJ	DATE: 05/16/00	BREAK CAST CORNERS!		PART. NO.
ENGR: EFW	DATE: 05/16/00	BREAK MACH CORNERS!		
MFR:		TOLERANCES	PURCH. NO.	FINISH
MFG:		UNLESS OTHERWISE NOTED	REF. NO.	SCALE
TOOL:		L INEAR		NONE
FBRY:		ANGULAR	STR. NO.	
MATERIAL NOTED				
DESCR: 4IN - 12IN RWG P-2360				
W/O-RING BONNET GASKET				
<b>Mueller Co.</b>				NUMBER
				6683