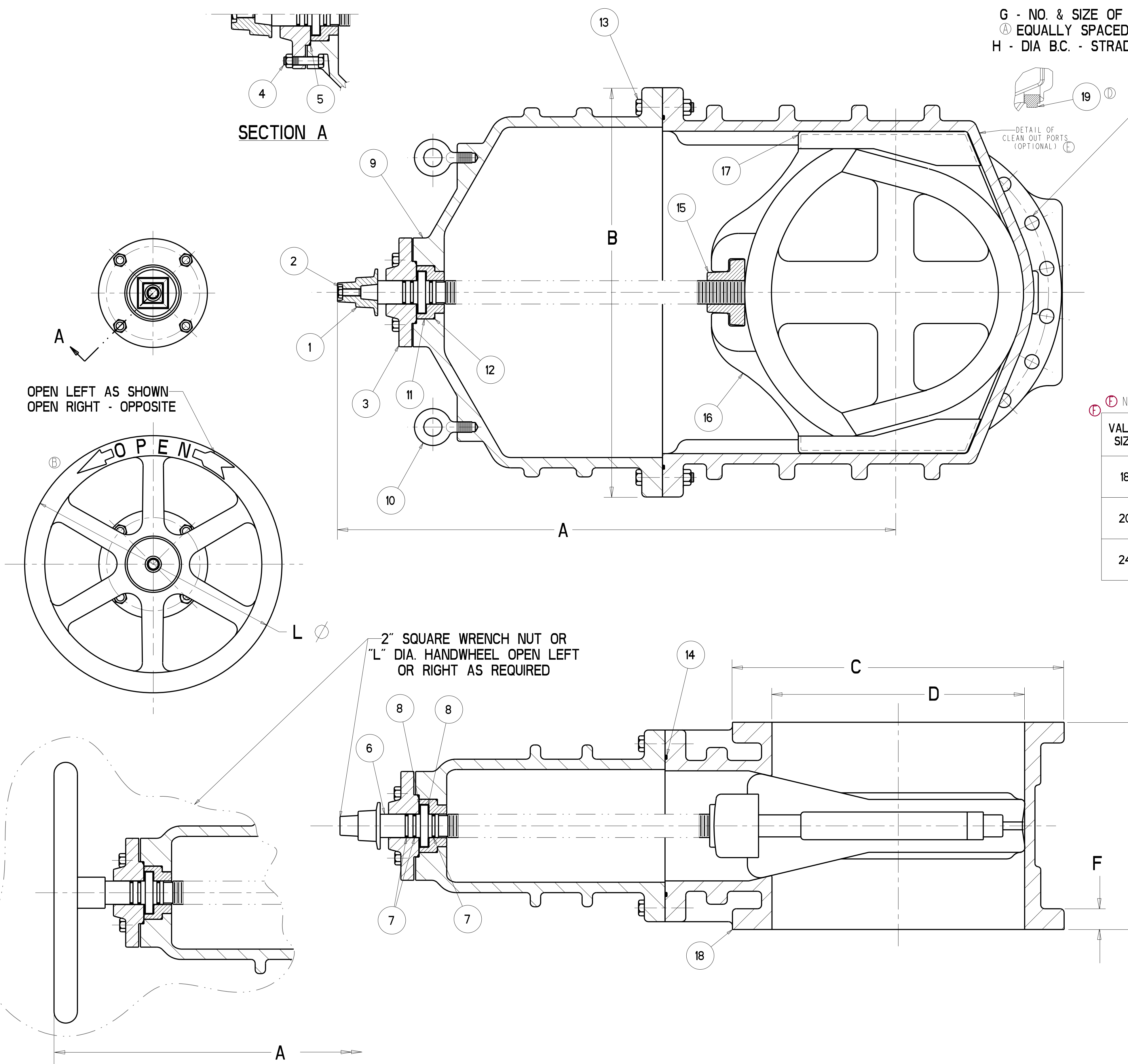


18" - 24" RESILIENT WEDGE GATE VALVES - FLANGE ENDS

6704



G - NO. & SIZE OF HOLES
 A - EQUALLY SPACED ON
 H - DIA BC. - STRADDLE

PARTS LIST					
ITEM	DESCRIPTION	REQ'D	MATERIAL	ASTM	
1	WRENCH NUT (NOTE 4)	1	CAST IRON	A126	CLASS B
2	CAP SCREW	1	STEEL	A307	SEE NOTE 2
3	STUFFING BOX	1	DUCTILE IRON	A536	GR. 65-45-12
4	HEX BOLT & NUT	4	STEEL		SEE NOTE 2
5	O-RING	1	RUBBER	D2000	EPDM
6	STEM	1			SEE NOTE 3
7	O-RING	3	RUBBER	D2000	EPDM
8	WASHER	2	BRASS		
9	BONNET	1	DUCTILE IRON	A536	GR. 65-45-12
10	EYEBOLT	2	STEEL		GALVANIZED
11	BONNET BUSHING	1	BRONZE	B62	
12	O-RING	1	RUBBER	D2000	EPDM
13	HEX BOLT & NUT	"J"	STEEL	A307	SEE NOTE 2
14	O-RING	1	RUBBER	D2000	EPDM
15	DISC NUT	1	BRONZE	B62	
16	DISC	1			SEE NOTE 1
17	GUIDE CAP	2	CELCON		M90
18	BODY	1	DUCTILE IRON	A536	GR. 65-45-12
19	PIPE PLUG	2	SUPPLIED WHEN TAPPED		

NOTE: TABLE DIMENSIONS - INCHES / [MILLIMETERS]

VALVE SIZE	A	B	C	D	E	F	G	H	J	L	TURNS TO OPEN
18	44.19 [1122.43]	30.50 [774.70]	25.00 [635.00]	18.38 [466.85]	17.00 [431.80]	1.69 [42.93]	16 - 125 [16 - 31.75]	22.75 [577.85]	12	18.00 [457.20]	57
20	48.25 [1225.55]	33.75 [857.25]	27.50 [698.50]	20.38 [517.65]	18.00 [457.20]	1.78 [45.21]	20 - 125 [20 - 31.75]	25.00 [635.00]	12	18.00 [457.20]	63
24	53.88 [1368.55]	39.50 [1003.30]	32.00 [812.80]	24.38 [619.25]	20.00 [508.00]	2.00 [50.80]	20 - 138 [20 - 35.05]	29.50 [749.30]	16	30.00 [762.00]	75

- NOTES:
- 1) RUBBER ENCAPSULATED DUCTILE IRON DISC
 RUBBER - EPDM ASTM D2000
 DUCTILE IRON ASTM A536 GRADE 65-45-12
 - 2) BOLTS ARE - SAE J429 GRADE 2
 NUTS - ASTM A563 GRADE B
 FASTENERS - PLATED TO ASTM F1941 CLASS Fe/Zn 12C
 - 3) 18" TO 24" VALVES - BRONZE ASTM 584 ALLOY C86400 OR C86500
 - 4) MANUFACTURER'S OPTION TO UPGRADE MATERIAL TO DI A536 GRADE 65-45-12
 - 5) THE INTERIOR/EXTERIOR OF THE BODY AND BONNET ARE COATED WITH FUSION BONDED EPOXY.

ECO1264665 1.25 WAS 1.12 FCM 7/30/02	ECO1293466 ADDED HANDWHEEL VIEW AND COL. "L" DIMS. CAP 07/21/03	ECO1405780 REMOVED PRESSURE TEST INDICATION & CHANGED O-RING AND DISC MATERIAL TO EPDM ADDED HANDWHEEL TO VALVE BODY RWE 10/11/06	ECO1454661 CHANGED PARTS LIST TO MATCH NOTES 33.75 WAS 33.00 1.78 WAS 1.75 REMOVED COL. "H" WAS A DUPLICATE OF "L" 18.00 WAS 24.00	ECO1511988 ADDED MFG OPTION ADDED NOTE 4 ADDED CLEAN OUT PORTS ADDED TIEM 19 CAP 11/27/07	ECO1549089 ADDED METRIC DIMENSIONS TO TABLE ADDED TABLE NOTE RAB 10/18/10
--	--	--	---	--	---

APPROVED
 By Charles Hines at 5:09 pm, Oct 19, 2010

ECO 1243979

SR BY: JLC	08/03/0	UNLESS OTHERWISE NOTED	THIRD ANGLE PROJECTION	C. D. NO.
CHKD: TRJ	08/03/0	BREAK CAST CORNERS!		
ENGR: RWV	08/03/0	BREAK MACH CORNERS!		
MFR:		TOLERANCES	NO FINISH	PART. NO.
MFG:		UNLESS OTHERWISE NOTED	REF. NO.	SCALE
TOOL:		LINEAR	ANGULAR	NONE
FBY:		±	±	STR. NO.
MATERIAL		NOTED		
18"-24" RWGV'S		NUMBER		
FLANGE ENDS		6704		