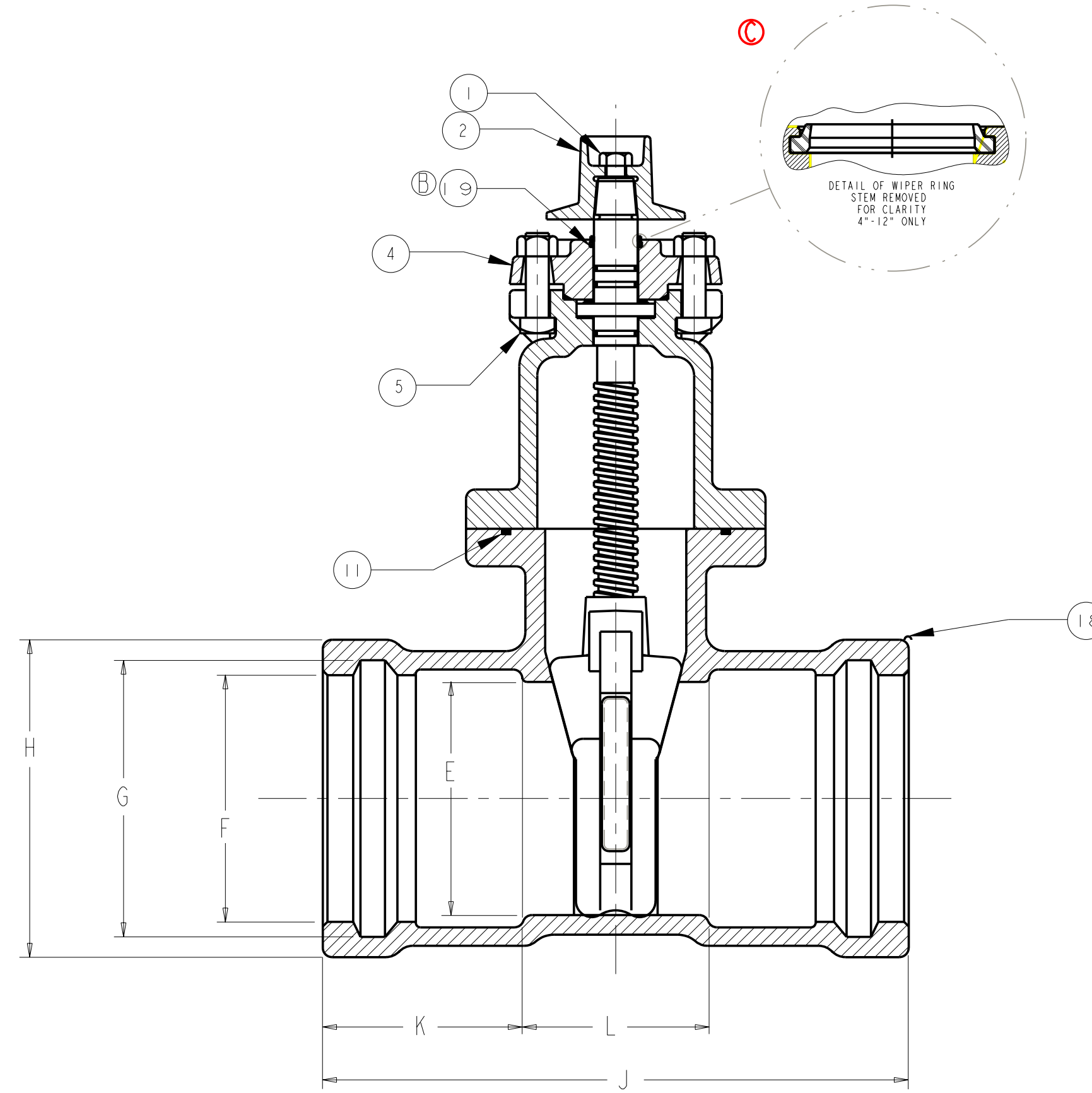
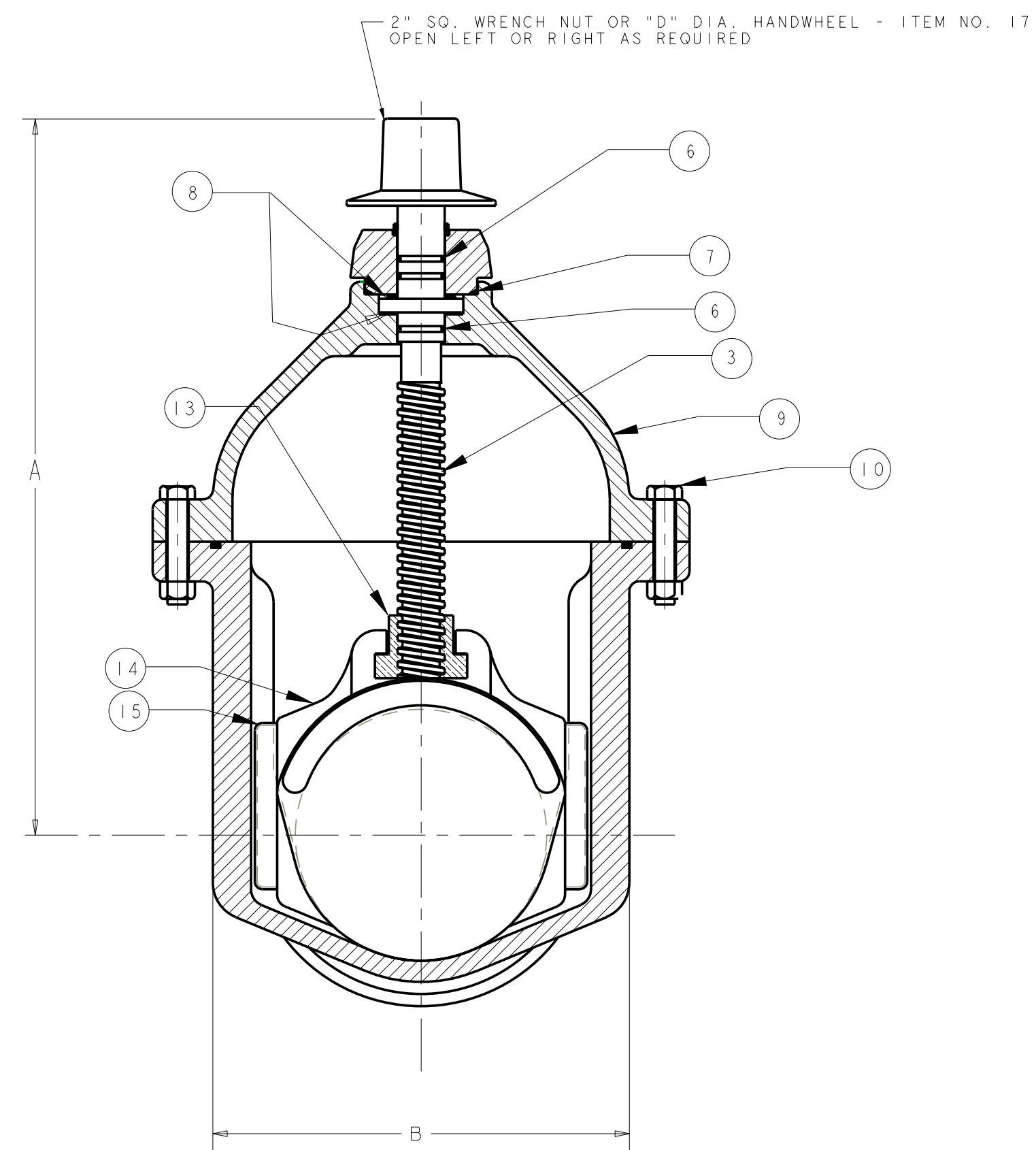
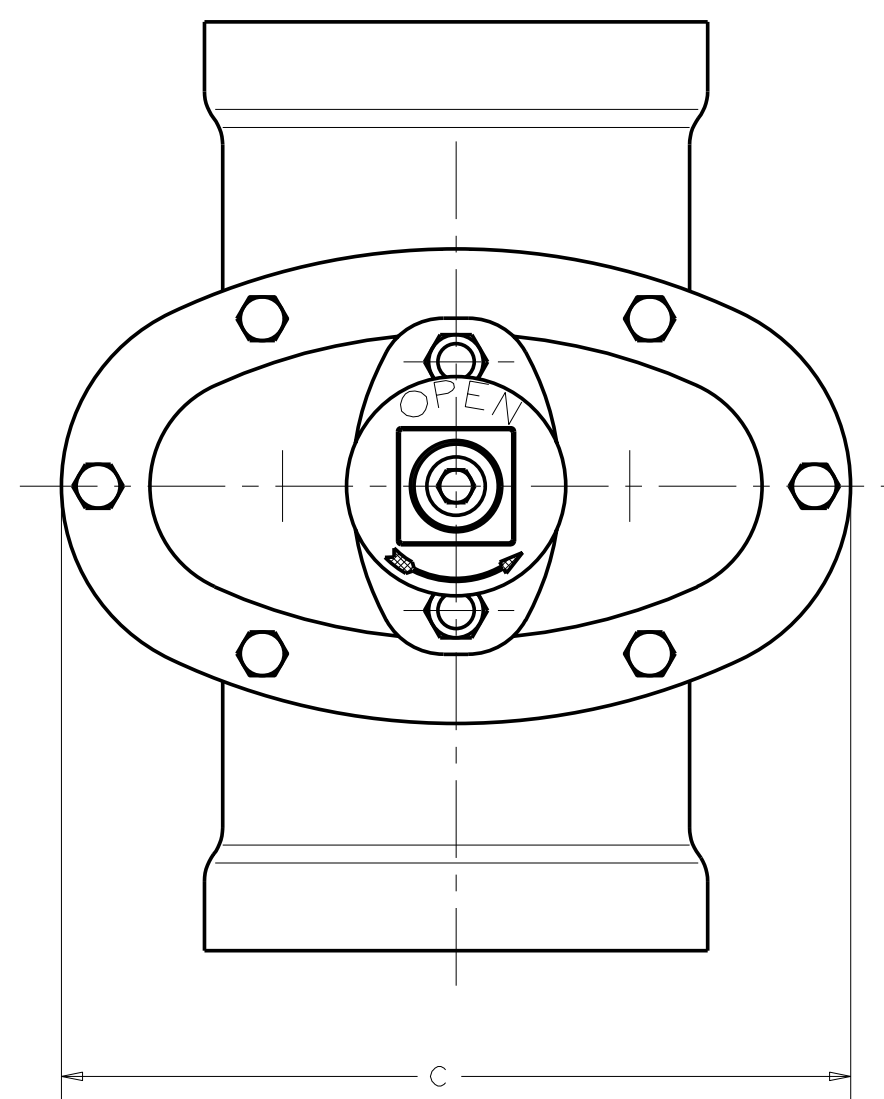


4 IN - 8 IN MUELLER A-2360-37 RESILIENT WEDGE GATE VALVE - W/RADIAL COMPRESSION ENDS



ITEM	DESCRIPTION	REQ'D	MATERIAL	ASTM	
1	CAP SCREW	1	304 STAINLESS STEEL	A193	GRADE B8
2	WRENCH NUT	1	CAST IRON	A126	CLASS B
3	STEM	1	BRONZE	B138	ALLOY C67600
4	STUFFING BOX	1	CAST IRON	A126	CLASS B
5	STUFFING BOX BOLT STUBBING BOX NUT	2	304 STAINLESS STEEL 304 STAINLESS STEEL	A193 F594	GRADE B8 GROUP 1
6	O-RING	3	RUBBER	D2000	NITRILE
7	O-RING	1	RUBBER	D2000	NITRILE
8	ANTI-FRICTION WASHER	2	CELCON		
9	BONNET	1	CAST IRON	A126	CLASS B
10	BONNET BOLT BONNET NUT	"M"	304 STAINLESS STEEL 304 STAINLESS STEEL	A193 F594	GRADE B8 GROUP 1
11	O-RING	1	RUBBER	D2000	NITRILE
13	DISC NUT	1	BRONZE	B62	ALLOY C83600
14	DISC	1	"*"		
15	GUIDE CAP	2	CELCON		
17	HANDWHEEL	1	CAST IRON	A126	CLASS B
18	BODY	1	CAST IRON	A126	CLASS B
19	WIPER RING	1	RUBBER		

\* RUBBER ENCAPSULATED CAST IRON DISC  
 CAST IRON - ASTM A126 - CLASS B  
 RUBBER - S SBR - ASTM D2000

DIMENSIONS FOR MUELLER RESILIENT WEDGE VALVE - INCHES (this drawing only)													
VALVE SIZE	A	B	C	D	E	F	G	H	J	K	L	M	URNS TO OPEN
4	14.19	8.19	10.81	11.00	4.30	4.58	5.26	6.19	13.43	4.46	4.51	4	14
6	18.00	10.50	13.50	13.00	6.30	6.69	7.51	8.62	15.91	5.46	5.00	6	20.5
8	21.50	13.12	16.38	14.00	8.30	8.73	9.84	11.06	18.40	6.20	6.00	6	26.5

ECO 1343777  
 CHANGED TO STAINLESS  
 STEEL BOLTS/NUTS  
 WERE ZINC COATED STEEL  
 CAP 04/07/05

ECO 1345609  
 ADDED ITEM 16  
 WIPER RING  
 CAP 05/03/05

ECO 1367576  
 ADDED WIPER  
 RING DETAIL  
 CAP 11/14/05

**MUELLER CONFIDENTIAL**  
 Title to and ownership of this engineering data  
 remains in Mueller Co. No use is to be made  
 of this data except as specifically authorized  
 by Mueller Co. Assent on the part of recipients  
 to these conditions is presumed.

DR BY: JLC	10/02/01	UNLESS OTHERWISE NOTED	THIRD ANGLE PROJECTION	C.D. NO.				
CHKD: TRJ	10/02/01	BREAK CAST CORNERS!	<table border="1"> <tr> <td>PURCH: NO</td> <td>FINISH: ASSY</td> </tr> <tr> <td>REF. NO.</td> <td>SCALE: NONE</td> </tr> </table>	PURCH: NO	FINISH: ASSY	REF. NO.	SCALE: NONE	PART. NO.
PURCH: NO	FINISH: ASSY							
REF. NO.	SCALE: NONE							
ENGR: RWV	10/02/01	BREAK MACH CORNERS!	TOLERANCES					
MFR:			UNLESS OTHERWISE NOTED					
MFG:			LINEAR	ANGULAR				
TOOL:			±	±				
FBY:				STR. NO.				

MAT'L	DESCR.	NUMBER
Mueller Co.	4" - 8" RWGV A236037	6713