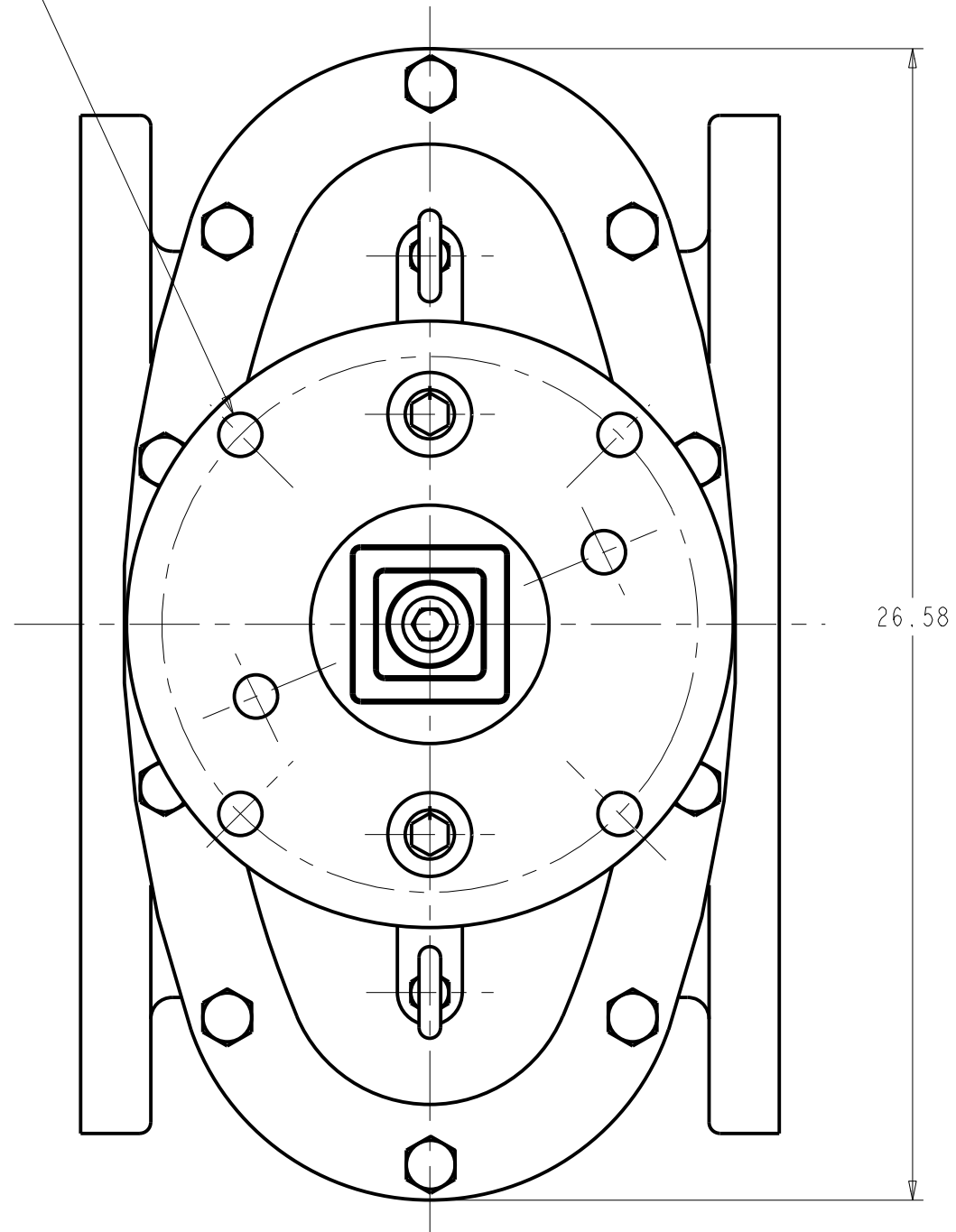
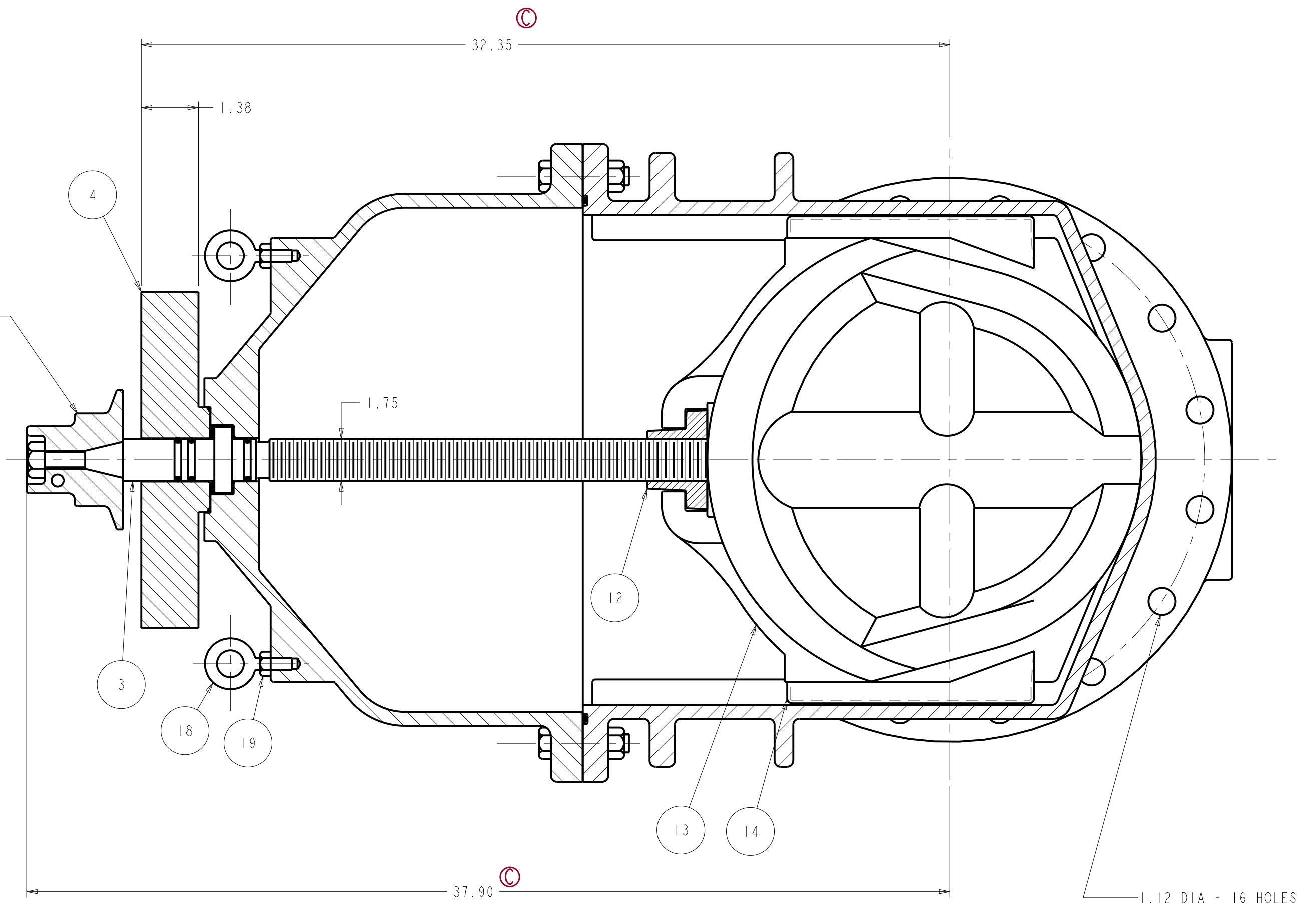


4 EA. .75 DIA. MOUNTING HOLES
EQUALLY SPACED
ON 10.50 B.C. AS SHOWN



2" SQUARE WRENCH NUT
OPEN LEFT OR RIGHT
AS REQUIRED
49 TURNS TO OPEN

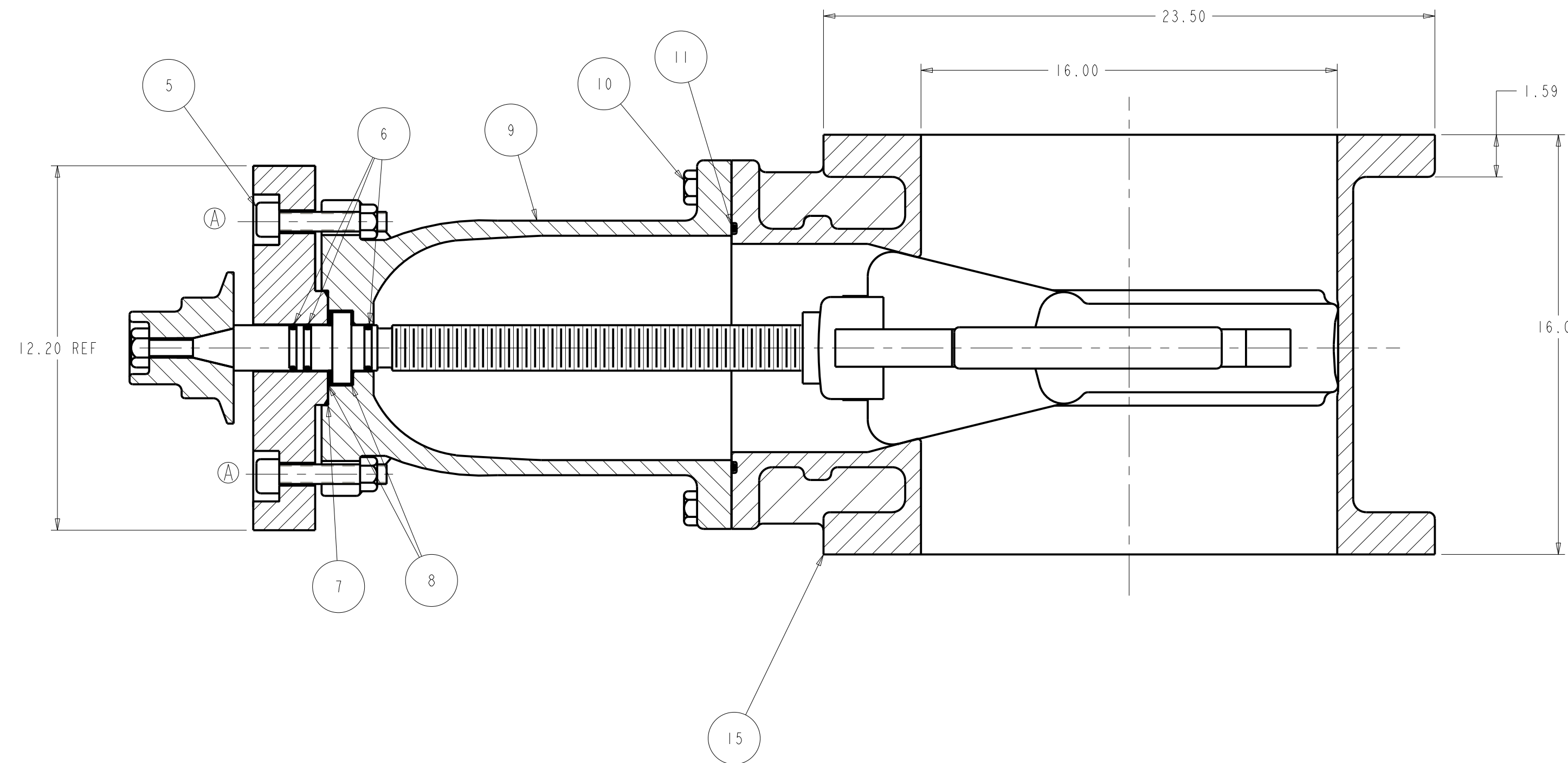
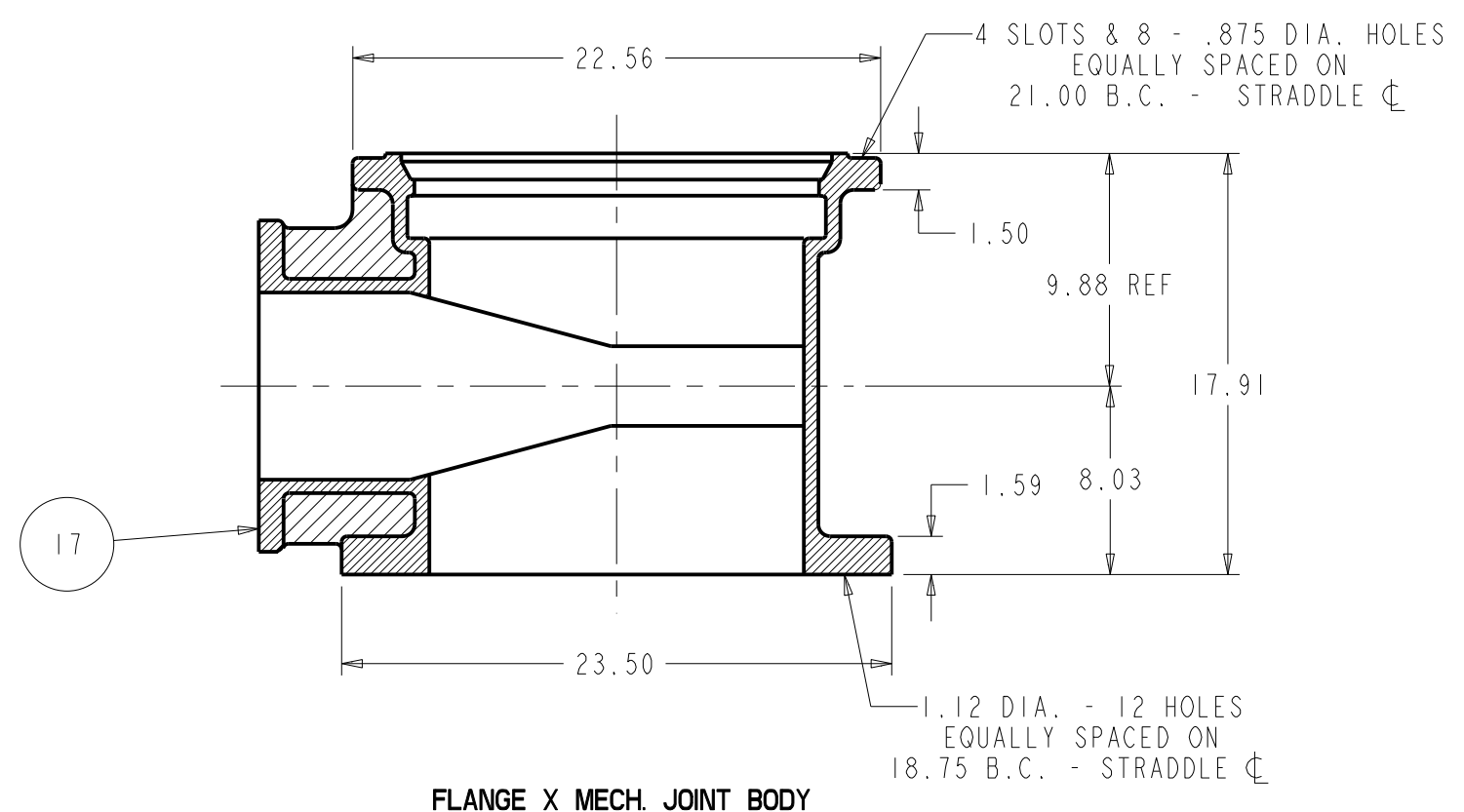
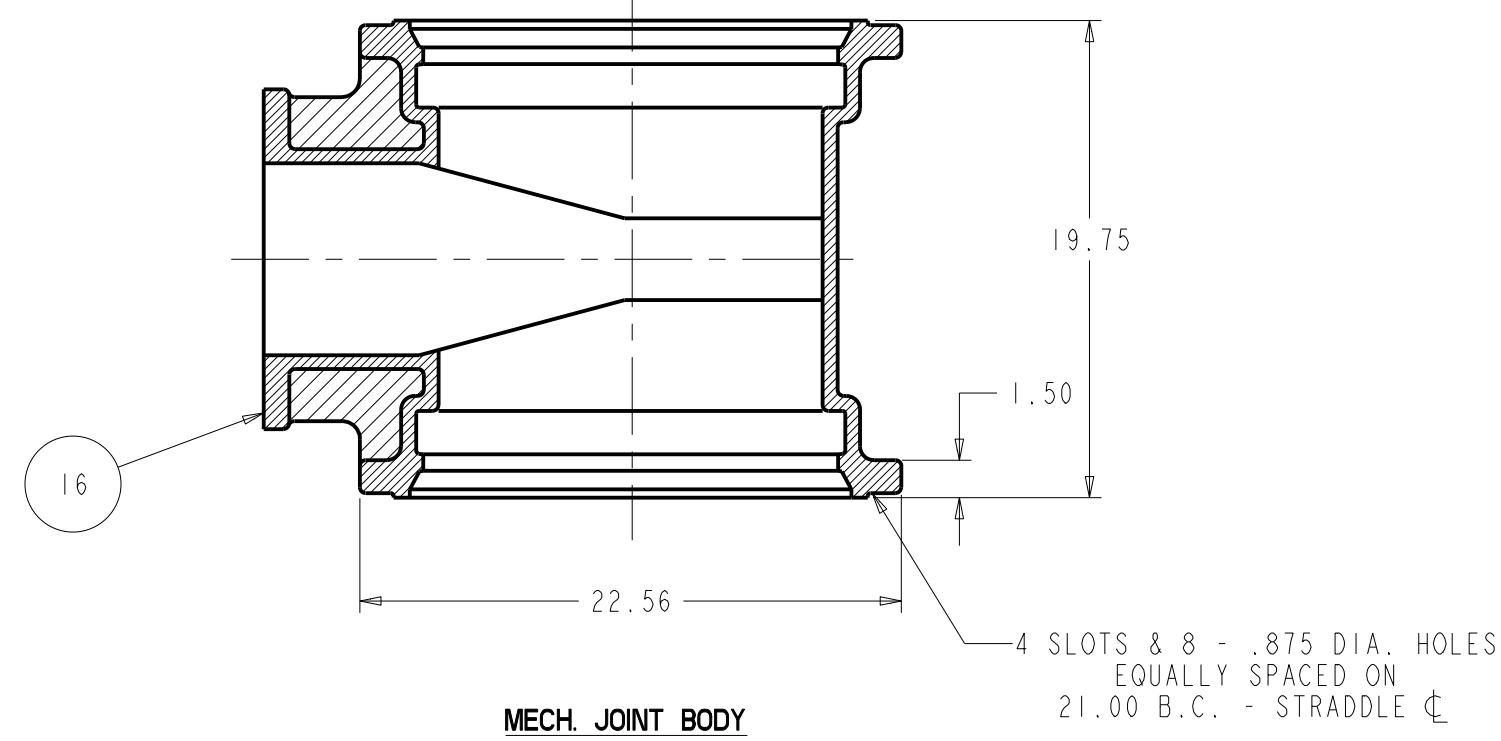


PARTS LIST - GEARED VALVE

ITEM	DESCRIPTION	REQ'D	MATERIAL	ASTM	
1	CAP SCREW	1	STEEL	A307	GRADE B ZINC PLATED
2	WRENCH NUT	1	CAST IRON	A126	CLASS B
3	STEM	1	BRONZE	*	
4	STUFFING BOX	1	DUCTILE IRON	A536	GRADE 64-45-12
5	SOCKET HEAD BOLT	2	STEEL	A307	GRADE 5 ZINC PLATED
6	"O" RING	3	RUBBER	D2000	MUELLER R34
7	"O" RING	1	RUBBER	D2000	MUELLER R34
8	ANTI-FRICTION WASHER	2	BRASS		
9	BONNET	1	DUCTILE IRON	A536	GRADE 65-45-12
10	HEX BOLT HEX NUT	12 12	STEEL STEEL	J429 F593	GRADE B ZINC PLATED GRADE B ZINC PLATED
11	"O" RING	1	RUBBER	D2000	MUELLER R34
12	DISC NUT	1	BRONZE	B62	
13	DISC	1	**		
14	GUIDE CAP	2	CELCON		M90
15	FLG X FLG BODY	1	DUCTILE IRON	A536	GRADE 65-45-12
16	MJ X MJ BODY	1	DUCTILE IRON	A536	GRADE 65-45-12
17	FLG X MJ BODY	1	DUCTILE IRON	A536	GRADE 65-45-12
18	EYE BOLT	2	STEEL		ANSI B18.15
19	HEX NUT	2	STEEL		ANSI B18.15

* ASTM B138 ALLOY 675 W/ADDED LEAD FOR MACHINABILITY

** RUBBER ENCAPSULATED DUCTILE IRON DISC
DUCTILE IRON - ASTM A536 (65-45-12)
RUBBER - MUELLER RUBBER SPEC R88



NOTICE:
UL/FM NOTIFICATION
REQUIRED FOR
ALL CHANGES

MUELLER CONFIDENTIAL
TITLE TO AND OWNERSHIP OF THIS ENGINEERING DATA
REMAINS IN MUELLER CO. NO USE IS TO BE MADE
OF THIS DATA EXCEPT AS SPECIFICALLY AUTHORIZED
BY MUELLER CO. ASSENT ON THE PART OF RECIPIENTS
TO THESE CONDITIONS IS PRESUMED.

DR BY: JLC	1/9/02	UNLESS OTHERWISE NOTED	THIRD ANGLE PROJECTION	C.D. NO.
CHKD: TRJ		BREAK CAST CORNERS!	PURCH. FINISH	PART. NO.
ENGR: RWV		BREAK MACH CORNERS!		
MGR:		TOLERANCES	REF. NO.	SCALE
MFG:		UNLESS OTHERWISE NOTED	ANGULAR	NONE
TOOL:		LINEAR	STR. NO.	
FDRT:		±		

ECO 1252453

ECO 1260761
P2361 WAS A2361
DUCTILE IRON WAS STEEL
SOCKET HEAD WAS HEX HEAD
CAP 05/09/02

ECO 1370716
ADDED HEX NUT
ROW TO TABLE
GPD 11/23/05

ECO 1562208
32.35 WAS 32.62
37.90 WAS 37.88
HD 4/21/11

APPROVED
By Charles Hines at 11:05 am, May 03, 2011

MAT'L: **Mueller Co.**

DESCR: 16" RWGV FLG. ENDS
FLG. X M.J. ENDS, & M.J. X M.J. ENDS
W/POST INDICATOR FLANGE

NUMBER: 6717