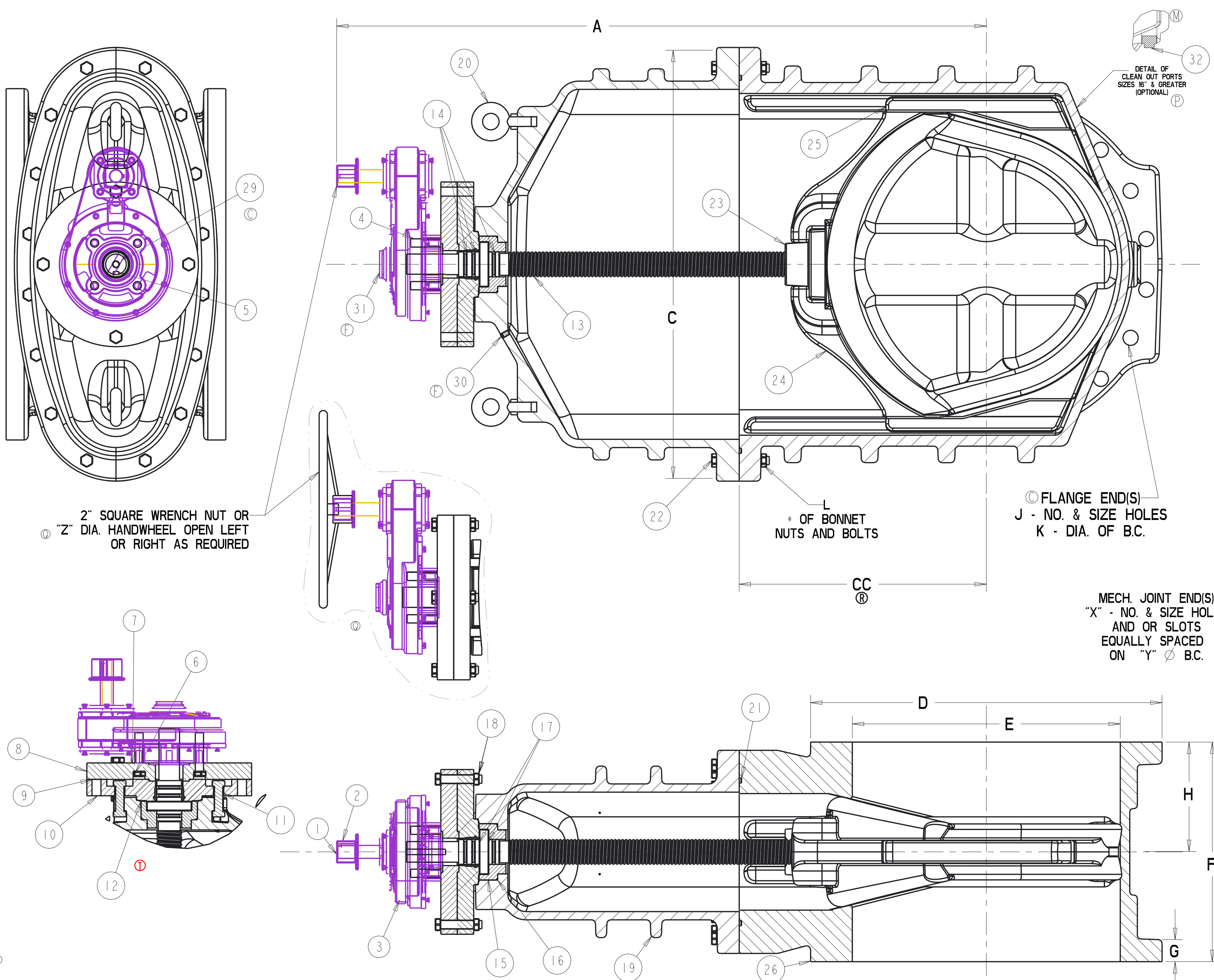
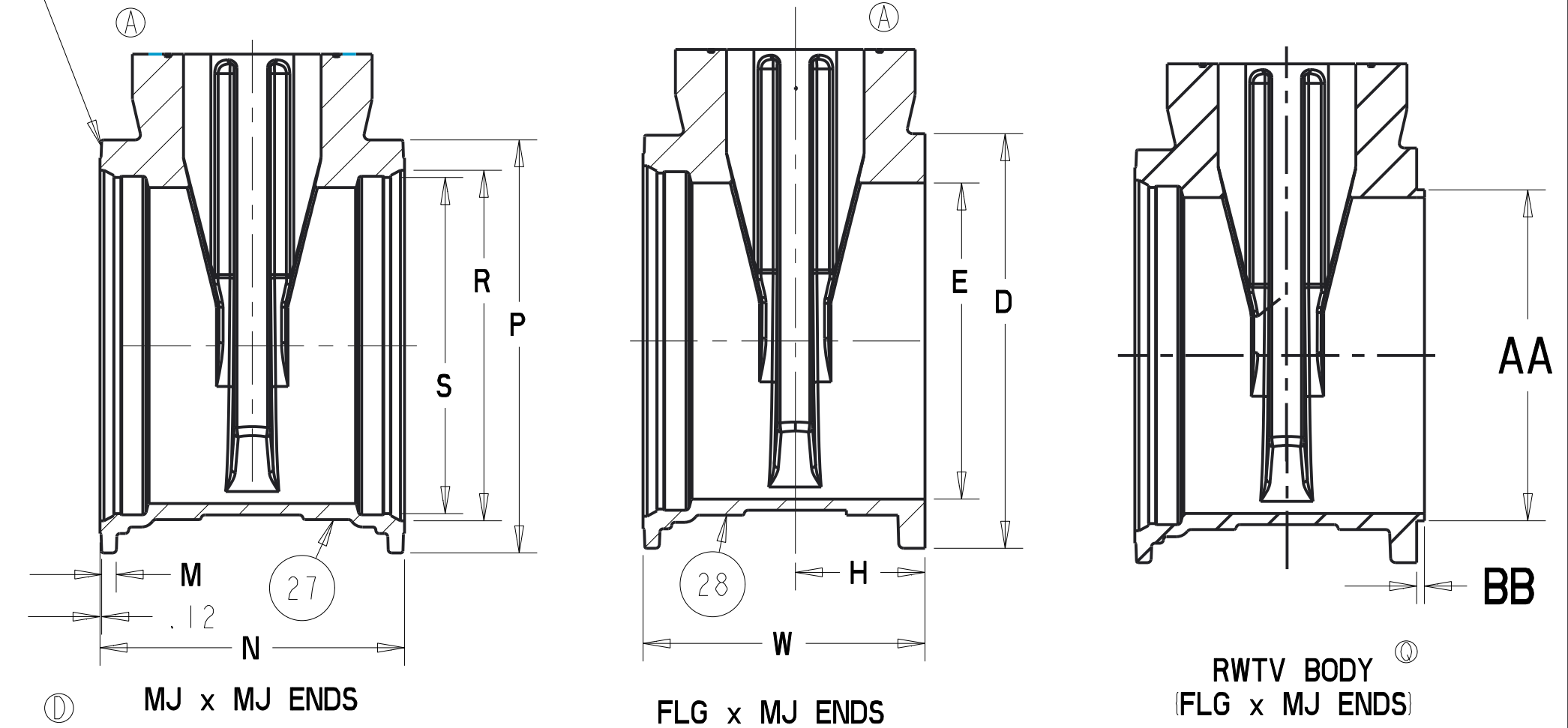


6.739 14" - 36" RESILIENT WEDGE GATE VALVES - SPUR GEARING



PARTS LIST					
ITEM	DESCRIPTION	REQ'D	MATERIAL	ASTM	SEE NOTE
1	CAP SCREW	1	STEEL		2
2	WRENCH NUT	1	CAST IRON (SEE NOTE 4)	A126	CLASS B
3	SPUR GEARING	1			
4	STEM NUT	1	BRASS		
5	KEY	1	STEEL		
6	SOCKET HEAD SCREW	4	STEEL		2
7	GASKET	1	RUBBER	D2000	
8	ADAPTER	1	STEEL	A36	
9	GASKET	1	RUBBER	D2000	
10	STUFFING BOX	1	STEEL	A36	
11	SOCKET HEAD BOLT & NUT	4	STEEL		2
12	O-RING	1	RUBBER	D2000	R34 16" EPDM 18"-36"
13	STEM	1	BRONZE	B584	SEE NOTE 3
14	O-RING	3	RUBBER	D2000	R34 16" EPDM 18"-36"
15	BONNET BUSHING	1	BRONZE	B62	18-36" ONLY
16	O-RING	1	RUBBER	D2000	R34 16" EPDM 18"-36"
17	WASHER	2	BRASS		
18	HEX BOLT & NUT	4	STEEL		2
19	BONNET	1	DUCTILE IRON	A536	GR. 65-45-12
20	EYEBOLT	2	STEEL		GALVANIZED
21	O-RING	1	RUBBER	D2000	R34 16" EPDM 18"-36"
22	HEX BOLT & NUT	"L"	STEEL		2
23	DISC NUT	1	BRONZE	B62	
24	DISC	1			1
25	GUIDE CAP	2	CELCON		M90
26	BODY - FLG ENDS	1	DUCTILE IRON	A536	GR. 65-45-12
27	BODY - MJ ENDS	1	DUCTILE IRON	A536	GR. 65-45-12
28	BODY FLG X MJ ENDS	1	DUCTILE IRON	A536	GR. 65-45-12
29	HOLD-DOWN WASHER & BOLT	1	STEEL		2
30	PIPE PLUG	1	304 STAINLESS	A193	GRADE B8
31	ACTUATOR PIPE PLUG	1	CAST IRON		
32	PIPE PLUG	2			SUPPLIED WHEN TAPPED
33	HANDWHEEL	1	CAST IRON (SEE NOTE 4)	A126	CLASS B

- NOTES:
- 1) RUBBER ENCAPSULATED DUCTILE IRON DISC  
RUBBER - SBR 16" - EPDM (18" AND UP) ASTM D2000  
DUCTILE IRON ASTM A536 GRADE 65-45-12
  - 2) BOLTS - SAE J429 GRADE 2  
NUTS - ASTM A563 GRADE B  
FASTENERS - PLATED TO ASTM F1941 CLASS Fe/Zn 12C
  - 3) 16" VALVE - BRONZE ALLOY ASTM B138 ALLOY 67600  
18" TO 24" VALVES - BRONZE ASTM B584 ALLOY 86400 OR 86500  
30" TO 48" VALVES - BRONZE ASTM B584 ALLOY 86200 OR 86700
  - 4) MANUFACTURER'S OPTION TO UPGRADE MATERIAL TO DUCTILE IRON A536 GRADE 65-45-12.



VALVE SIZE	A	C	D	E	F	G	H	J	K	L	M	N	P	R	S	W	X	Y	Z	AA	BB	CC	URNS TO OPEN ALL SIZES 4.11	WEIGHT
14	40.49	24.92	21.00	14.38	15.06	1.42	7.53	12-1.12	18.75	10	1.06	19.75	20.62	16.54	15.44	17.41	12-.88	18.75	12	15.23	0.25	14.88	178	800
16	43.58	26.58	23.50	16.00	16.06	1.09	8.03	16-1.12	21.25	12	1.10	19.75	22.56	18.40	17.28	17.91	12-.88	21.00	12	17.23	0.25	15.32	201	1000
18	49.41	30.50	25.00	18.38	17.00	1.69	8.50	16-1.25	22.75	12	1.06	21.00	24.88	20.74	19.64	19.00	12-.88	23.25	12	19.45	0.25	18.38	234	1,350
20	53.01	33.75	27.50	20.38	18.00	1.78	9.00	20-1.25	25.00	12	1.60	21.50	27.25	22.84	21.74	19.75	14-.88	25.50	12	21.45	0.25	20.00	258	1,800
24	59.15	39.50	32.00	24.38	20.00	2.00	10.00	20-1.38	29.50	16	1.12	23.50	31.88	27.05	25.94	21.75	16-.88	30.00	12	25.43	0.25	22.50	308	2,300
30	70.81	48.00	38.75	30.38	26.00	2.12	13.00	28-1.38	36.00	20	1.25	33.50	39.53	33.47	32.18	29.75	20-1.125	36.88	18	30.94	0.516	23.75	381	5,000
36	83.08	56.50	46.00	36.38	30.00	2.37	15.00	32-1.63	42.75	24	1.45	37.50	46.41	39.77	38.48	33.75	24-1.125	43.75	18	36.94	0.516	33.75	455	8,400

ECO 1286549	ECO 1292877	ECO 1322159	ECO 1326547	ECO 1327241	ECO 1339487	ECO 1348391	ECO 1352526	ECO 1355559	ECO 1356324	ECO 1368974	ECO 1405819	ECO 1453415	ECO 1502387	ECO 1512155	ECO 1553862	ECO 1584491	ECO 1647181	ECO 1717791
ADDED MJ X MJ VIEW AND ASSOC DIM TO TABLE	ADDED FLG X MJ VIEW AND ASSOC DIM TO TABLE	ADDED MJ X MJ VIEW AND ASSOC DIM TO TABLE	ADDED 1 CHANGED NOTES	ADDED WEIGHT TO TABLE	ADDED 42" 848" 0.94 WAS 1.92 24.16 WAS 24.88 27.01 WAS 27.25 31.51 WAS 31.88	ADDED PIPE PLUGS	CHANGED # OF "X" TO MATCH NOTE	REMOVED 258 WAS 251 308 WAS 300 381 WAS 372 455 WAS 444	ADDED 16" VALVE SPECS TO TABLE	201 WAS 204 234 WAS 227 258 WAS 251 308 WAS 300 381 WAS 372 455 WAS 444	CHANGED O-RING AND DISC TO EPDM	ADDED NOTE 4	ADDED 14" VALVE SPECS TO TABLE	CHANGED NOTE FROM "SIZES 24" AND GREATER" TO "SIZES 24" AND GREATER"	ADDED HANDWHEEL AND DIMENSION CC	ADDED COLUMN AND DIMENSION CC	1.09 WAS 1.59	ARROW 12 WAS POINTING TO THE WRONG PART
FCM 7/11/03	FCM 7/11/03	JRT 7/11/04	FCM 8/23/04	FCM 9/11/04	FCM 06/13/05	CAP 06/13/05	CAP 07/29/05	CAP 08/30/05	CPD 09/10/05	JAB 04/21/09	JAB 04/21/09	JAB 04/21/09	JAB 04/21/09	JAB 04/21/09	JAB 02/17/12	JAB 02/17/12	JNM 01/13/14	AO 12/16/15

SR BY: FCM 7/11/02	UNLESS OTHERWISE NOTED	THIRD ANGLE PROJECTION	C.D. NO.
CHNG: PED 4/24/03	BREAK CAST CORNERS!		
ENGR: RWV 4/24/03	BREAK MACH CORNERS!		
MGR:	TOLERANCES	PURCH. NO.	FINISH ASSY
INFO:	UNLESS OTHERWISE NOTED	REF. NO.	SCALE NONE
TOOL:	LINEAR ±	ANGULAR ±	STR. NO.
DATE:			

MAT'L: NOTED

DESCR: 14"-36" RWGV'S W/ ROTORK SPUR

Mueller Co. 6739