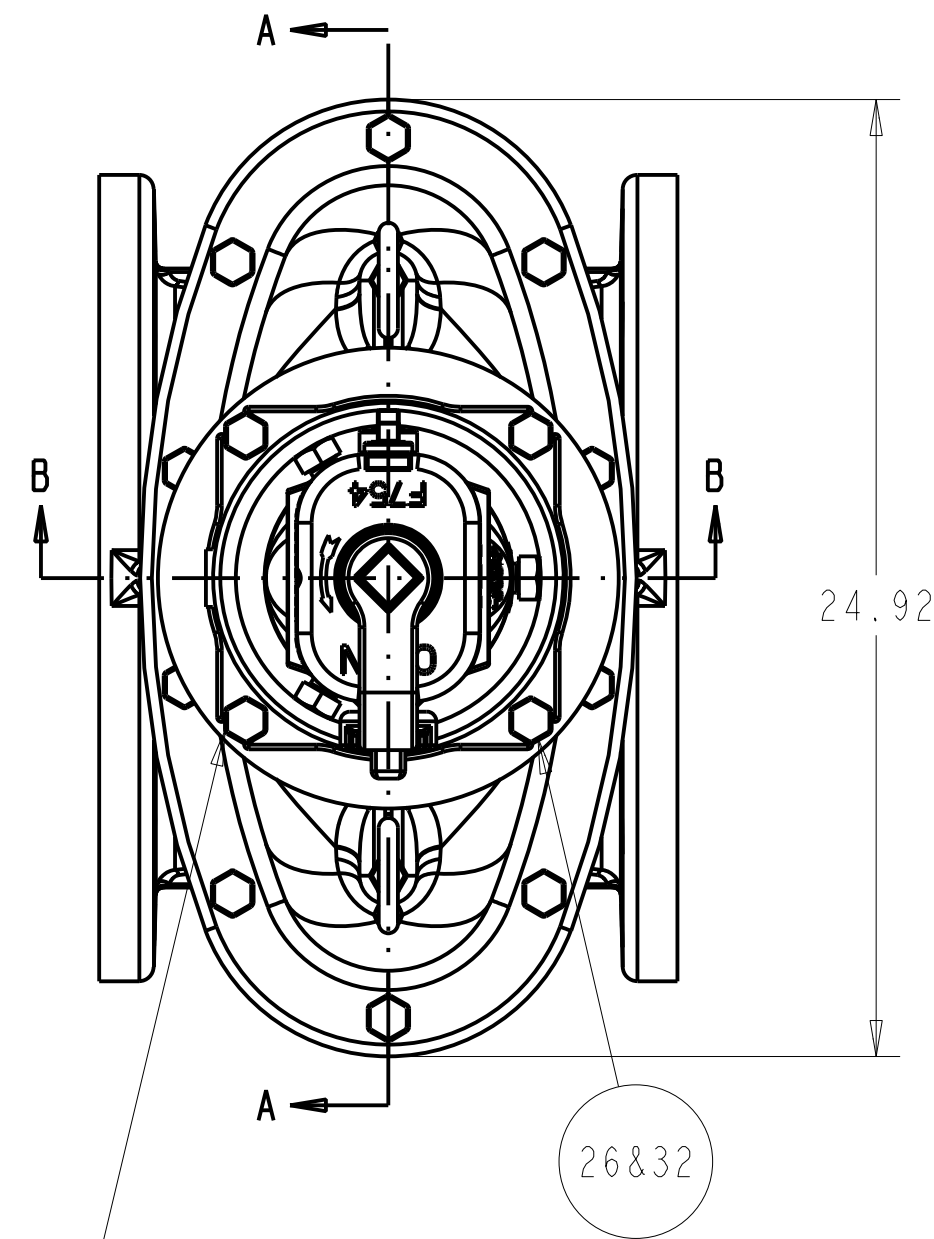
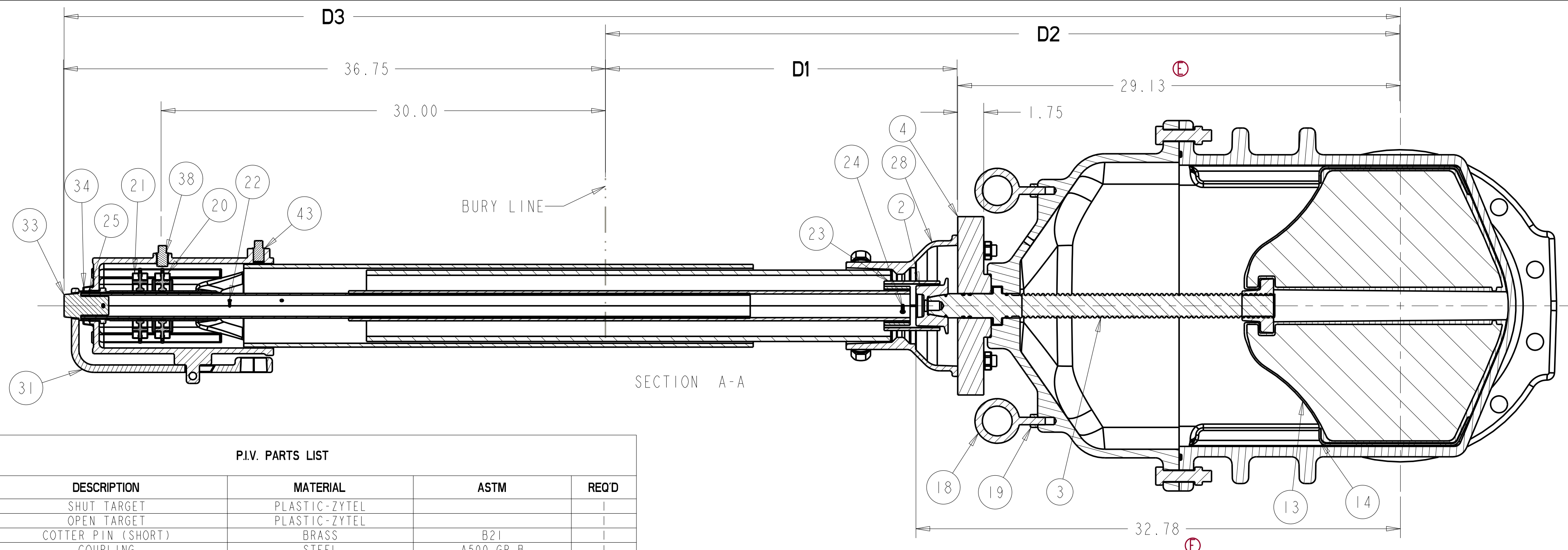


14" P2361 RESILIENT WEDGE GATE VALVE - FLG x FLG - MJ x MJ - MJ x MJ ENDS



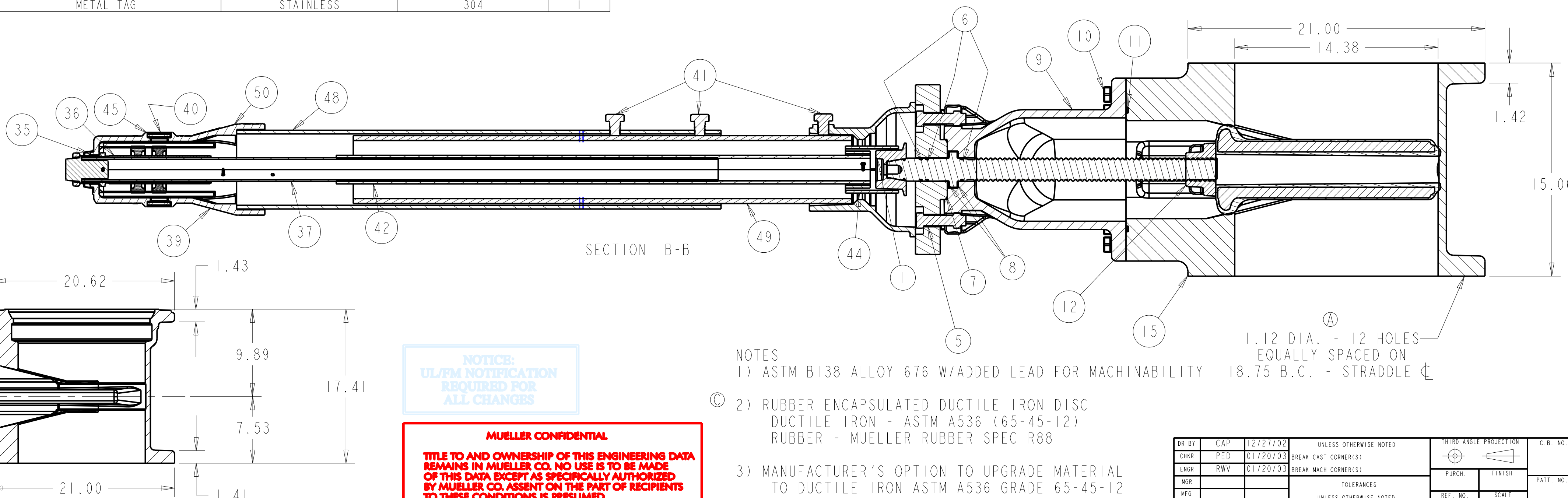
4 EA. .75 DIA. MOUNTING HOLES EQUALLY SPACED ON 10.50 B.C. AS SHOWN

POST TYPE	ORDER LENGTH		
	D1 MAX./MIN.	D2 MAX./MIN.	D3 MAX./MIN.
A	39.25 / 17.25	69.01 / 47.01	105.76 / 83.76
B	36.00 / 60.25	65.76 / 90.01	102.51 / 126.71
C	57.00 / 81.25	86.76 / 111.01	123.51 / 147.76
D	78.00 / 102.25	107.76 / 132.01	144.51 / 168.76
E	99.00 / 123.25	128.76 / 153.01	165.51 / 189.76
F	120.00 / 144.25	149.76 / 174.01	186.51 / 210.76



P.I.V. PARTS LIST				
ITEM	DESCRIPTION	MATERIAL	ASTM	REQ'D
20	SHUT TARGET	PLASTIC-ZYTEL		1
21	OPEN TARGET	PLASTIC-ZYTEL		1
22	COTTER PIN (SHORT)	BRASS	B21	1
23	COUPLING	STEEL	A500 GR.B	1
24	COTTER PIN (LONG)	BRASS	B21	2
25	RETAINING RING	STAINLESS	AISI 302	1
26	HEX BOLT	STEEL / ZINC PLATED	A307 GR. 4	4
27	WASHER (NOT SHOWN)	STEEL / ZINC PLATED		1
28	BELL	CAST IRON	A126 CL.B	1
29	EYE BOLT (NOT SHOWN)	STEEL/ZINC PLATED		1
30	HEX NUT (NOT SHOWN)	STEEL/ZINC PLATED	A563 GR.A	1
31	WRENCH	DUCTILE IRON	A536 GR. 65-45-12	1
32	HEX NUT	STEEL / ZINC PLATED	A563 GR. 4	4
33	OPERATING NUT	DUCTILE IRON	A536 GR. 65-45-12	1
34	CAP	POLYPROPYLENE		1
35	SPRING PIN	STAINLESS	AISI 420	1
36	THREADED SLEEVE	PLASTIC-ZYTEL		1
37	UPPER STEM	STEEL	A513	1
38	PIPE PLUG- HEX SOCKET	STEEL		1
39	POST HEAD	CAST IRON	A126 CL.B	1
40	WINDOW	PLEXIGLASS		2
41	HEX HEAD SCREW	PLASTIC-ZYTEL	A.07 GR.A	5
42	LOWER STEM	STEEL	A500 B-GR.B	1
43	SOCKET HEAD SET SCREW	STEEL	AISI B18.3	1
44	COUPLING INSERT	STEEL	A500 GR.B	1
45	WINDOW GASKET	SYNTHETIC RUBBER		2
46	SHIPPING DISC (NOT SHOWN)	PRESSBOARD		1
47	WASHER (NOT SHOWN)	STAINLESS	AISI 304	1
48	UPPER BARREL	STEEL	A GR.B	1
49	LOWER BARREL	PVC	DRI4 UL LISTED	1
50	METAL TAG	STAINLESS	304	1

PARTS LIST FOR GEARED VALVE					
ITEM	DESCRIPTION	REQ'D	MATERIAL	ASTM	
1	CAP SCREW	1	STEEL	A307	GRADE B ZINC PLATED
2	WRENCH NUT (SEE NOTE 3) (D)	1	CAST IRON	A126	CLASS B
3	STEM	1	BRONZE		SEE NOTE 1
4	STUFFING BOX	1	DUCTILE IRON	A536	GRADE 65-45-12
5	SOCKET HEAD BOLT	2	STEEL	A307	GRADE B ZINC PLATED
6	HEX NUT	2	STEEL	A563	GRADE B
7	"O" RING	3	RUBBER	D2000	MUELLER R34
8	"O" RING	1	RUBBER	D2000	MUELLER R34
9	ANTI-FRICTION WASHER	2	BRASS		
10	BONNET	1	DUCTILE IRON	A536	GRADE 65-45-12
11	HEX BOLT	10	STEEL	A307	GRADE B
12	HEX NUT	10	STEEL	A563	GRADE B
13	"O" RING	1	RUBBER	D2000	MUELLER R34
14	DISC NUT	1	BRONZE	B62	ALLOY C83600
15	DISC	1	SEE NOTE 2		
16	GUIDE CAP	2	CELCON		M90
17	FLG X FLG BODY	1	DUCTILE IRON	A536	GRADE 65-45-12
18	MJ X MJ BODY	1	DUCTILE IRON	A536	GRADE 65-45-12
19	FLG X MJ BODY	1	DUCTILE IRON	A536	GRADE 65-45-12
20	EYE BOLT	2	STEEL		ANSI B18.15
21	HEX NUT	2	STEEL	A563	GRADE B



NOTICE:
UL/FM NOTIFICATION
REQUIRED FOR
ALL CHANGES

MUELLER CONFIDENTIAL
TITLE TO AND OWNERSHIP OF THIS ENGINEERING DATA REMAINS IN MUELLER CO. NO USE IS TO BE MADE OF THIS DATA EXCEPT AS SPECIFICALLY AUTHORIZED BY MUELLER CO. ASSENT ON THE PART OF RECIPIENTS TO THESE CONDITIONS IS PRESUMED.

- NOTES
1) ASTM B138 ALLOY 676 W/ADDED LEAD FOR MACHINABILITY
2) RUBBER ENCAPSULATED DUCTILE IRON DISC
DUCTILE IRON - ASTM A536 (65-45-12)
RUBBER - MUELLER RUBBER SPEC R88
3) MANUFACTURER'S OPTION TO UPGRADE MATERIAL TO DUCTILE IRON ASTM A536 GRADE 65-45-12

SR BY	CAP	12/27/02	UNLESS OTHERWISE NOTED	THIRD ANGLE PROJECTION	C.D. NO.
CHKD	PED	01/20/03	BREAK CAST CORNERS		
ENGR	RWV	01/20/03	BREAK MACH CORNERS		
MFR			TOLERANCES	PURCH.	FINISH
MFG			UNLESS OTHERWISE NOTED	REF. NO.	SCALE
TOOL			LINEAR	ANGULAR	STR. NO.
FBRY			±	±	
MAT'L			DESCR.		
ECO 1275813			14" RWGV FLG. ENDS		
ECO 1281801			FLG. x M.J. ENDS & M.J. x M.J. ENDS		
ECO 1292826			W/POST INDICATOR FLANGE SHOWN		
ECO 1456659			NUMBER		
ECO 1562195			6740 (B)		

APPROVED
By Charles Hines at 11:04 am, May 03, 2011