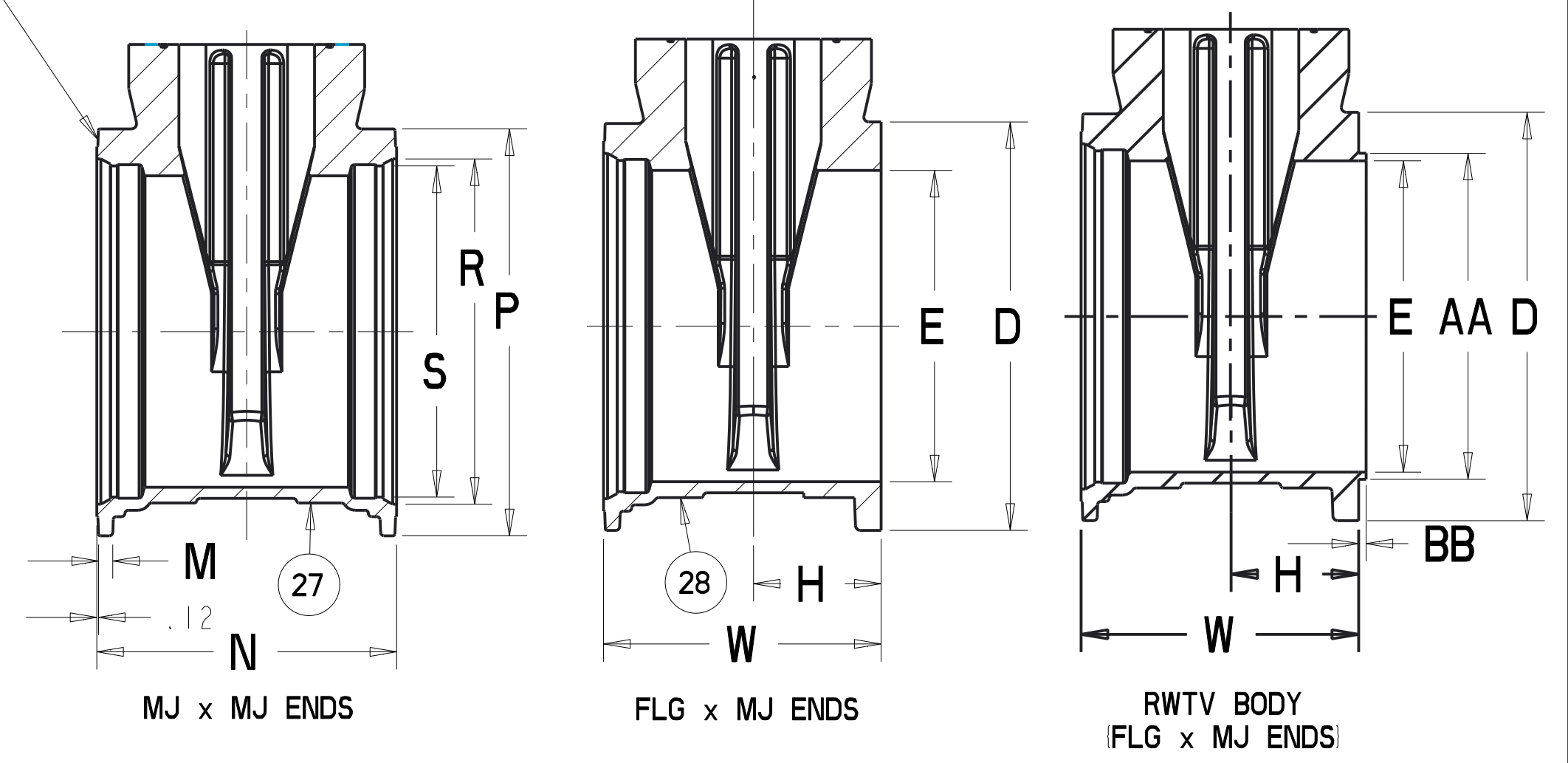


PARTS LIST				
ITEM	DESCRIPTION	REQ'D	MATERIAL	ASTM
1	CAP SCREW	1	STEEL	SEE NOTE 2
2	WRENCH NUT	1	CAST IRON [SEE NOTE 5]	A126
3	BEVEL GEAR UNIT	1		SEE NOTE 3 (D)
4	STEM NUT	1	BRASS	
5	KEY	1	STEEL	
6	SOCKET HEAD SCREW	4	STEEL	SEE NOTE 2
7	GASKET	1	RUBBER	D2000
8	ADAPTER	1	STEEL	A36
9	GASKET	1	RUBBER	D2000
10	STUFFING BOX	1	STEEL	A36
11	SOCKET HEAD BOLT & NUT	4	STEEL	SEE NOTE 2
12	O-RING	1	RUBBER	D2000
13	STEM	1	BRONZE	SEE NOTE 4
14	O-RING	3	RUBBER	D2000
15	BONNET BUSHING	1	BRONZE	B62
16	O-RING	1	RUBBER	D2000
17	WASHER	2	BRASS	
18	HEX BOLT & NUT	4	STEEL	SEE NOTE 2
19	BONNET	1	DUCTILE IRON	A536
20	EYEBOLT	2	STEEL	GALVANIZED
21	O-RING	1	RUBBER	D2000
22	HEX BOLT & NUT	"L"	STEEL	SEE NOTE 2
23	DISC NUT	1	BRONZE	B62
24	DISC	1		SEE NOTE 1
25	GUIDE CAP	2	CELCON	M90
26	BODY - FLG ENDS	1	DUCTILE IRON	A536
27	BODY - MJ ENDS	1	DUCTILE IRON	A536
28	BODY FLG X MJ ENDS	1	DUCTILE IRON	A536
29	HOLD-DOWN WASHER & BOLT	1	STEEL	SEE NOTE 2
30	PIPE PLUG	1	304 S. STEEL	A193
31	ACTUATOR CAP PLUG	1	CAST IRON [SEE NOTE 5]	GRADE B8
32	PIPE PLUG	2	SUPPLIED WHEN TAPPED	



- NOTE:
- 1) RUBBER ENCAPSULATED DUCTILE IRON DISC
RUBBER - EPDM ASTM D2000
DUCTILE IRON ASTM A536 GRADE 65-45-12
 - 2) BOLTS - SAE J429 GRADE 2
NUTS - ASTM A563 GRADE B
FASTENERS - PLATED TO ASTM F1941 CLASS Fe/Zn 12C
 - 3) VALVES WILL BE FURNISHED WITH ONE OF THE LISTED OPERATORS AT THE MANUFACTURER'S DISCRETION.
16"-24" MASTERGEAR OR ROTORK
30" & 36" LIMITORQUE OR ROTORK.
 - 4) 16" VALVE - BRONZE ALLOY ASTM B138 ALLOY 67600
18" TO 24" VALVES - BRONZE ASTM B584 ALLOY 86400 OR 86500
30" TO 48" VALVES - BRONZE ASTM B584 ALLOY 86200 OR 86700
 - 5) MANUFACTURER'S OPTION TO UPGRADE MATERIAL TO DUCTILE IRON A536 GRADE 65-45-12

APPROVED
By Matt Sutterfield at 9:43 am, Jun 04, 2015

VALVE SIZE	A	B	C	D	E	F	G	H	J	K	L	M	N	P	Q	R	S	W	X	Y	Z	AA	BB	① TURNS TO OPEN MASTERGEAR, RATIO 4.51 LIMITORQUE, RATIO 4:1	② TURNS TO OPEN ROTORK, RATIO 4:1	WEIGHT
16	37.95	39.92	26.58	23.50	16.00	16.06	1.59	8.03	16-1.20	21.25	12	1.10	19.75	22.56	34.13	18.40	17.28	17.91	12-.875	21.00	12.00	17.23	0.25	221	196	1,000
18	43.98	45.95	30.50	24.88	18.38	17.00	1.05	8.50	16-1.25	22.75	12	1.06	21.00	24.88	40.16	20.74	19.64	19.00	12-.875	23.25	12.00	19.45	0.25	257	228	1,350
20	47.10	49.07	33.75	27.50	20.38	18.00	1.78	9.00	20-1.25	25.00	12	1.60	21.00	27.25	43.28	22.84	21.74	19.75	14-.875	25.50	12.00	21.45	0.25	284	252	1,800
24	53.57	55.54	39.50	32.00	24.38	20.00	1.25	10.00	20-1.38	29.50	16	1.12	23.50	31.88	49.75	27.05	25.94	21.75	16-.875	30.00	12.00	25.43	0.25	338	300	2,300
30	65.34	67.31*	48.00	38.75	30.38	26.00	2.12	13.00	28-1.38	36.00	20	1.25	33.50	39.53	61.33	33.47	32.18	29.75	20-1.125	36.88	18.00	30.94	.516	372	372	5,100
36	77.60	79.57*	56.50	46.00	36.38	30.00	2.37	15.00	32-1.63	42.75	24	1.45	37.50	46.41	73.59	39.77	38.48	33.75	24-1.125	43.75	18.00	36.94	.516	444	444	8,400

ECO 1325211 ADDED HOLD-DOWN WASHER & BOLT CHANGED MATERIAL DESCRIPTION FCM 8/23/04	ECO 1339508 ADDED 42" X 48" TO TABLE REMOVED TESTING PRESSURE 1.39 WAS 1.45 31.51 WAS 31.88 CAP 06/13/05	ECO 1353916 ADDED COLUMN "B" ADDED DIM "B" 44.50 WAS 43.49 47.69 WAS 46.62 54.06 WAS 53.58 CAP 08/12/05	ECO 1348455 ADDED CAP PLUGS ITENS 30A 31 CAP 06/13/05 CAP 07/25/05	ECO 1351902 ADDED NOTE #3 CHANGED # OF TURNS & CHANGED # OF "X" TO MATCH GEARING CAP 07/25/05	ECO 1355567 REMOVED 42" & 48" FROM CHART CAP 08/30/05	ECO 1367189 ADDED "Z" COLUMN HANDWHEEL DIA 1.06 WAS .96 1.12 WAS .96 CAP 11/11/05	ECO 1405843 CHANGED O-RING AND DISC MATERIAL TO EPDM 33.75 WAS 33.00 24.88 WAS 24.76 24.88 WAS 25.00 27.25 WAS 27.01 KWE 10/11/06 31.88 WAS 31.51	ADDED NOTE 1.78 WAS 1.75 1.60 WAS 1.12 1.45 WAS 1.39 12.00 WAS 13.00 14.00 WAS 15.00 ADDED 16" TO PART LIST CAP 3/31/07	ECO 1425262 ADDED "P" TO TABLE ADDED 16" TO PART LIST 18.00 WAS 24.00 12.00 WAS 14.00 975 WAS .88 ADDED DETAIL & ITEM 32 CAP 11/12/07	ECO 1453503 ADDED NOTES 5 LIMITORQUE AND ROTORK TO COLUMNS REMOVED GEARING FROM "P", CHANGED NOTE 3 TO INCLUDE MANUFACTURER'S OPTIONS ADDED DETAIL & ITEM 32 CAP 05/14/07	ECO 1430627 ADDED COLUMN "BB" ADDED RWTV BODY MFB 12/03/08	ECO 1490814 ADDED COLUMN "AA" ADDED COLUMN "BB" ADDED RWTV BODY MFB 6/29/09	ECO 1508463 REMOVED NOTE "SIZES 24" & GREATER" NAF 6/29/09	ECO 1520542 ADDED COLUMN "BB" 37.03 WAS 39.24 39.24 WAS 37.03 HD 11/10/09	ECO 1570451 HD 8/23/11 UPDATED COL. A & B, ADDED COL. Q 31.95 WAS 31.03 39.92 WAS 39.24 43.98 WAS 44.50 45.95 WAS 46.06 47.10 WAS 47.69 49.07 WAS 49.25 53.57 WAS 54.06 55.54 WAS 55.50 65.34 WAS 64.93 67.31 WAS 66.52 77.60 WAS 77.19 79.57 WAS 78.75	ECO 1698973 11/05 WAS 1.69 1.25 WAS 2.00 AO 6/31/15
---	--	---	--	--	---	--	---	---	--	---	---	---	--	---	---	--

SR BY: FCM 8/11/04	UNLESS OTHERWISE NOTED	THIRD ANGLE PROJECTION	C.D. NO.
CHNG: PSG 8/11/04	BREAK CAST CORNERS!		PART. NO.
ENGR: RWV 8/11/04	BREAK MACH CORNERS!		
MGR:	TOLERANCES	PURCH: NO.	FINISH: ASSY
WFO:	UNLESS OTHERWISE NOTED	REF. NO.	SCALE: NONE
TOOL:	LINEAR		
FDRY:	ANGULAR	STR. NO.	
MAT'L: NOTED			
DESCR: 16"-36" RWGV & RWTV W/ BEVEL GEAR			
NUMBER: 6743			