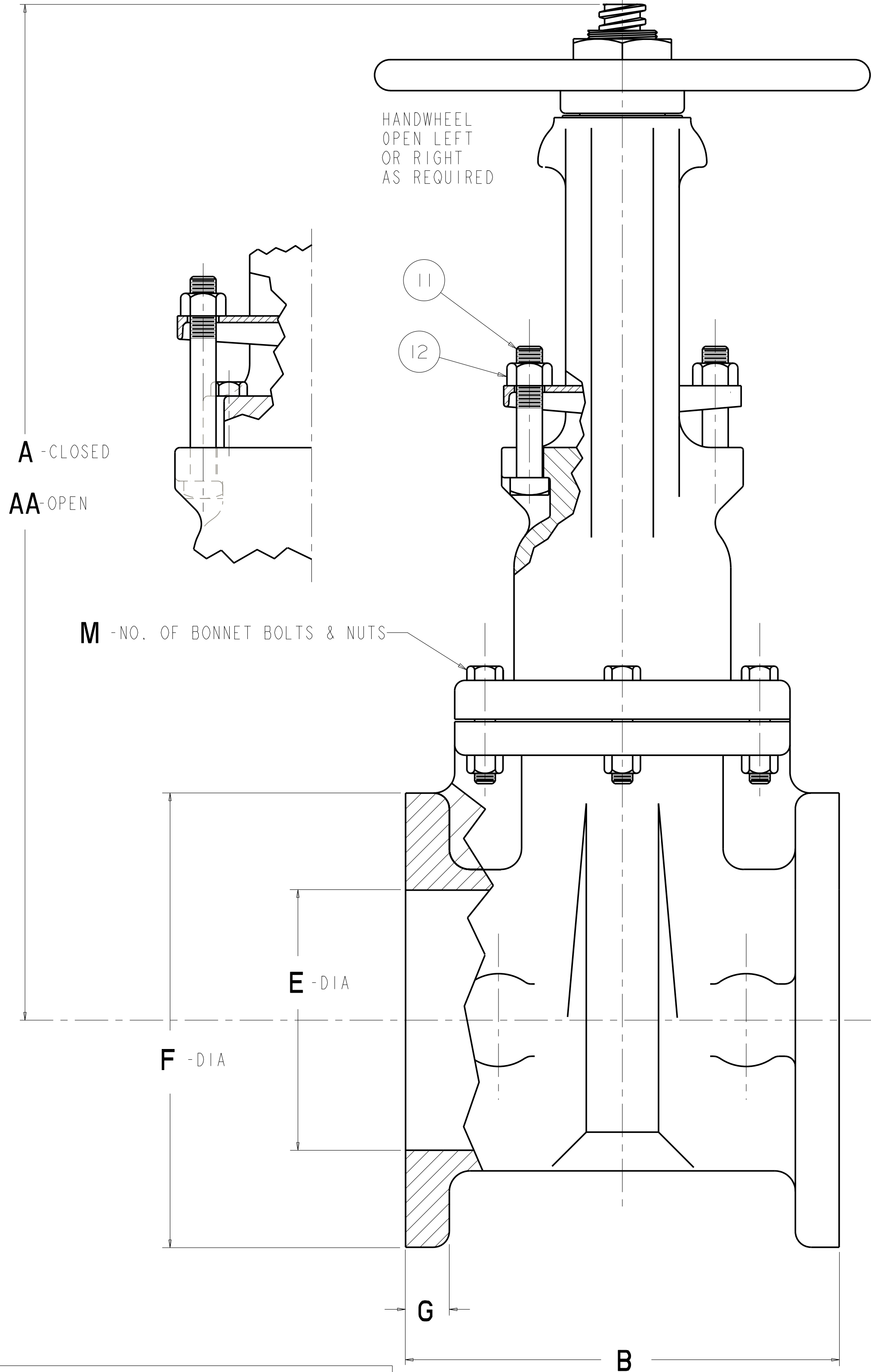
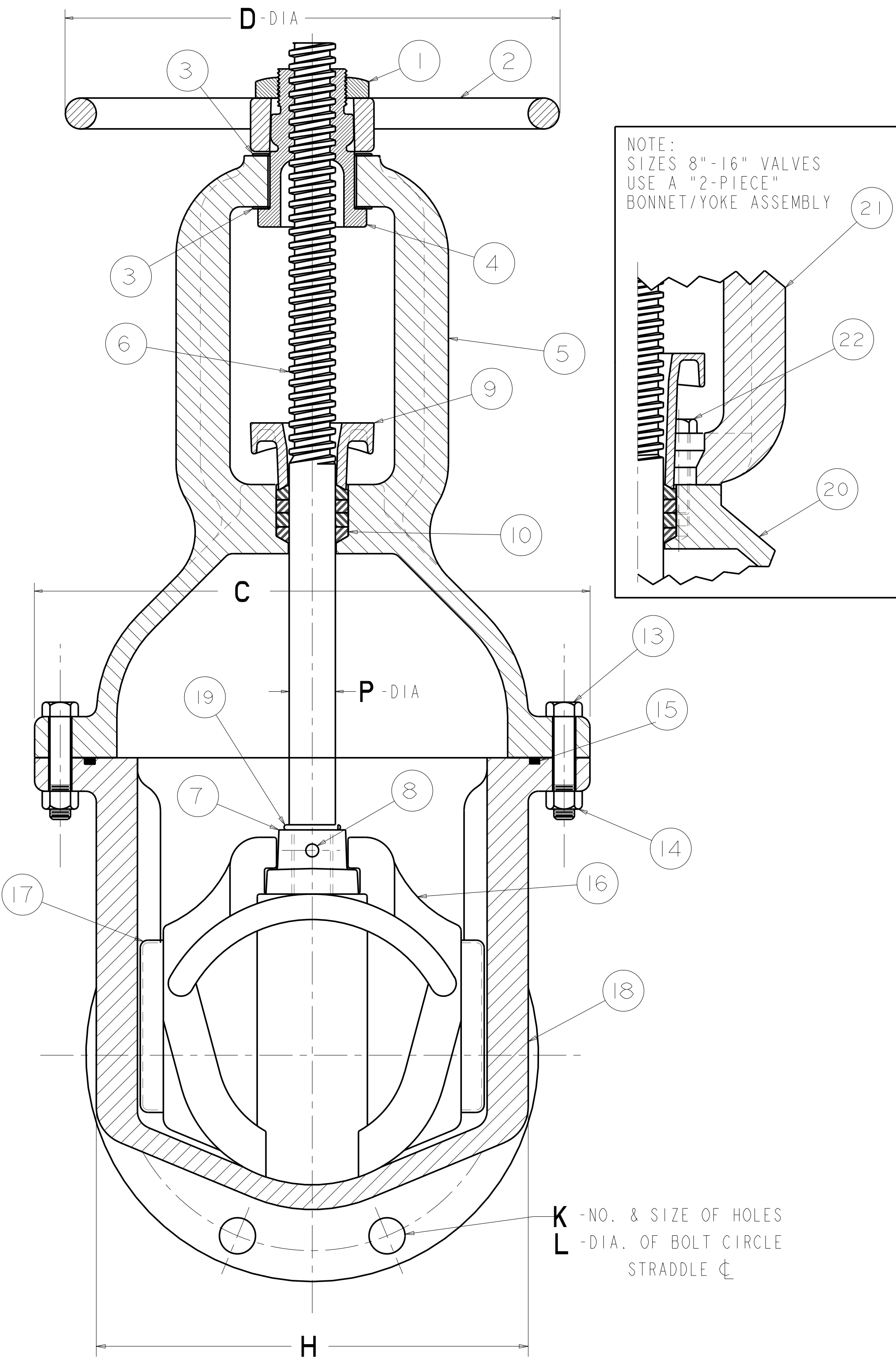


6752 4IN - 16IN RESILIENT WEDGE GATE VALVES - OS&Y - W/ISO PN 16 DRILLING



PART LIST						
ITEM	DESCRIPTION	RED'D	MATERIAL	ASTM	REMARKS	NOTES
1	CAP NUT	1	BRONZE	B62	ALLOY C83600	
2	HANDWHEEL	1	CAST IRON [SEE NOTE 2] (C)	A126	CLASS B	
3	WASHER	2	BRONZE			
4	BUSH NUT	1	BRONZE	B584	ALLOY C84400	
5	4"-6" BONNET&YOKE	1	CAST IRON [SEE NOTE 2] (C)	A126	CLASS B	
6	STEM	1	BRONZE	B138	ALLOY C67600	
7	DISC NUT	1	BRONZE	B62	ALLOY C83600	
8	PIN	1	STAINLESS STEEL		TYPE 304	
9	GLAND FLANGE	1	DUCTILE IRON	A536	GRADE 64-45-12	
10	STEM PACKING	"N"	LUBE FLAX		FED HH-P-106c	
11	GLAND BOLT	2	304 STAINLESS STEEL	A193	GRADE B8	
12	GLAND NUT (4-12) GLAND NUT (14-16)	2 2	304 STAINLESS STEEL SILICON BRONZE	F594 B98	GROUP 1 ALLOY B-12	(B)
13	4"-12" BONNET BOLT 14"-16" BONNET BOLT	"M"	304 STAINLESS STEEL CARBON STEEL	A193 A307	GRADE B8 GRD B ZINC-PLATE	
14	4"-12" BONNET NUT 14"-16" BONNET NUT	"M"	304 STAINLESS STEEL CARBON STEEL	F594 A307	GROUP 1 GRD B ZINC PLATE	
15	O-RING	1	RUBBER	D2000	R34(B)	
16	DISC RUBBER DISC CASTING DISC CASTING	1	RUBBER 4" - 12" [SEE NOTES 1&2] (C) 14" - 16" [SEE NOTES 1&2] (C)	D2000 A126 A536	SBR CLASS B GR. 65-45-12	(B)
17	GUIDE CAP	2	CELCON		M90(B)	
18	4"-12" BODY 14"-16" BODY	1	CAST IRON [SEE NOTE 2] (C) DUCTILE IRON	A126 A536	CLASS B GR. 65-45-12	(B)
19	O-RING	1	RUBBER	D2000	R34	
20	8"-12" BONNET 14"-16" BONNET	1	CAST IRON [SEE NOTE 2] (C) DUCTILE IRON	A126 A536	CLASS B GR. 65-45-12	(B)
21	YOKE	1	CAST IRON [SEE NOTE 2] (C)	A126	CLASS B	(B)
22	8" -12" CAP SCREW 14 -16" CAP SCREW	4 4	304 STAINLESS STEEL CARBON STEEL	A193 A307	GRADE B8 GRD B ZINC-PLATE	(B)

- (B) (C) NOTES
- RUBBER ENCAPSULATED CAST IRON DISC
CAST IRON - ASTM A126 CLASS B
RUBBER - SBR- ASTM D2000
 - MANUFACTURER'S OPTION TO UPGRADE MAT'L
TO D1 - A536 GR 65-45-12

DIMENSIONS FOR MUELLER RWGV OS&Y - [mm] INCHES															
VALVE SIZE	A	AA	B	C	D	E	F	G	H	K	L	M	N	P	TURNS TO OPEN
4	19.00	23.68	9.00	10.79	10.00	4.30	9.00	0.94 (B)	8.25	8 - [19] .748	[180] 7.087	4	4	1.00	14
6	24.50	31.38	10.50	13.50	12.00	6.30	11.00	(B) 1.06	10.50	8 - [23] .906	[240] 9.449	6	4	1.12	20.5
8	29.50	38.50	11.50	16.36	14.00	8.30	13.50	(B) 1.19 (B) 1.21	12 - [23] .906	[295] 11.614	6	4	1.25	26.5 (A)	
10	35.75	47.00	13.00	(B) 19.99	16.00	10.30	16.00	(B) 1.25 (B) 1.48	12 - [28] 1.102	[355] 13.976	8	4	1.38	33 (A)	
12	40.50	53.50	14.00	21.00	16.00	12.30	19.00	(B) 1.31 (B) 1.63	12 - [28] 1.102	[410] 16.142	8	3	1.50	38.5 (A)	
14	49.13	64.09	15.06	24.92	18.00	14.38	21.00	1.42 20.32	16 - [28] 1.102	[470] 18.504	10	4	1.63	43.5	
16	54.63	71.19	16.06	26.58	18.00	16.00	23.50	(B) 1.59 21.64	16 - [31] 1.220	[525] 20.669	12	4	1.75	49	

MUELLER CONFIDENTIAL

TITLE TO END OWNERSHIP OF THIS ENGINEERING DATA REMAINS IN MUELLER CO. NO USE IS TO BE MADE THEREOF EXCEPT AS SPECIFICALLY AUTHORIZED BY MUELLER CO., WHICH ASSUMES NO RESPONSIBILITY FOR ANY UNAUTHORIZED USE. ASSENT TO THESE CONDITIONS IS PRESUMED BY MUELLER CO., IF THIS ENGINEERING DATA IS ACCEPTED.

ECO 1369993 26.5 WAS 27 33 WAS 33.5 38.5 WAS 39 CAP 11/17/05	ECO 1383066 19.99 WAS 19.92 1.06 WAS 1.00 1.19 WAS 1.12 1.25 WAS 1.19 1.31 WAS 1.25 8.25 WAS 9.00	13.21 WAS 11.50 16.48 WAS 13.00 16.83 WAS 14.00 31 WAS 12 INCORPORATED NOTES IN TO TABLE CAP 02/17/06	ECO 1453360 ADDED NOTES & MFG. OPTION CAP 11/09/07
--	---	---	---

APPROVED
By MATT BARDELLI at 8:35 am, Dec 20, 2007

SR BY: CAP 04/21/05	UNLESS OTHERWISE NOTED	THIRD ANGLE PROJECTION	C.D. NO.
CHKD: PSG 04/21/05	BREAK CAST CORNERS!	PURCH. FINISH	PART. NO.
ENGR: RWV 04/21/05	BREAK MACH CORNERS!		
MFG:	TOLERANCES	REF. NO.	SCALE
TOOL:	UNLESS OTHERWISE NOTED	STR. NO.	NONE
DRY:	LINEAR ±	ANGULAR ±	
MATERIAL NOTED			
Mueller Co.		DESCR: 4IN-16IN RWGV OS&Y WITH ISO PN 16 DRILLING	NUMBER: 6752