

K - NO & SIZE HOLES EQUALLY SPACED ON L - DIA BOLT CIRCLE EACH END

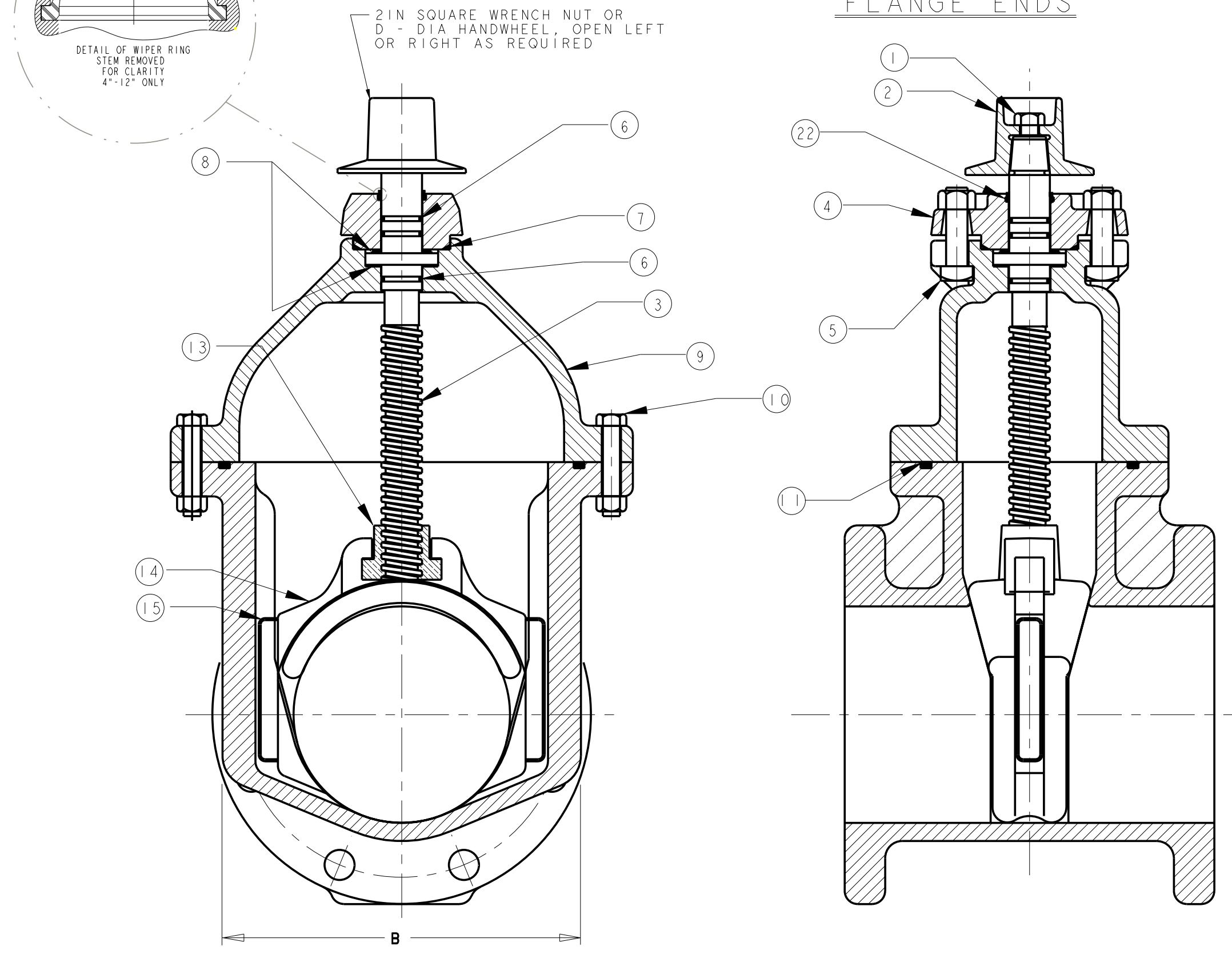
K - NO & SIZE HOLES EQUALLY SPACED ON L - DIA BOLT CIRCLE FLANGE END ONLY

S - NO & SIZE HOLES & SLOTS EQUALLY SPACED ON T - DIA BOLT CIRCLE MECH JOINT END ONLY

S - NO & SIZE HOLES & SLOTS EQUALLY SPACED ON T - DIA BOLT CIRCLE EACH END

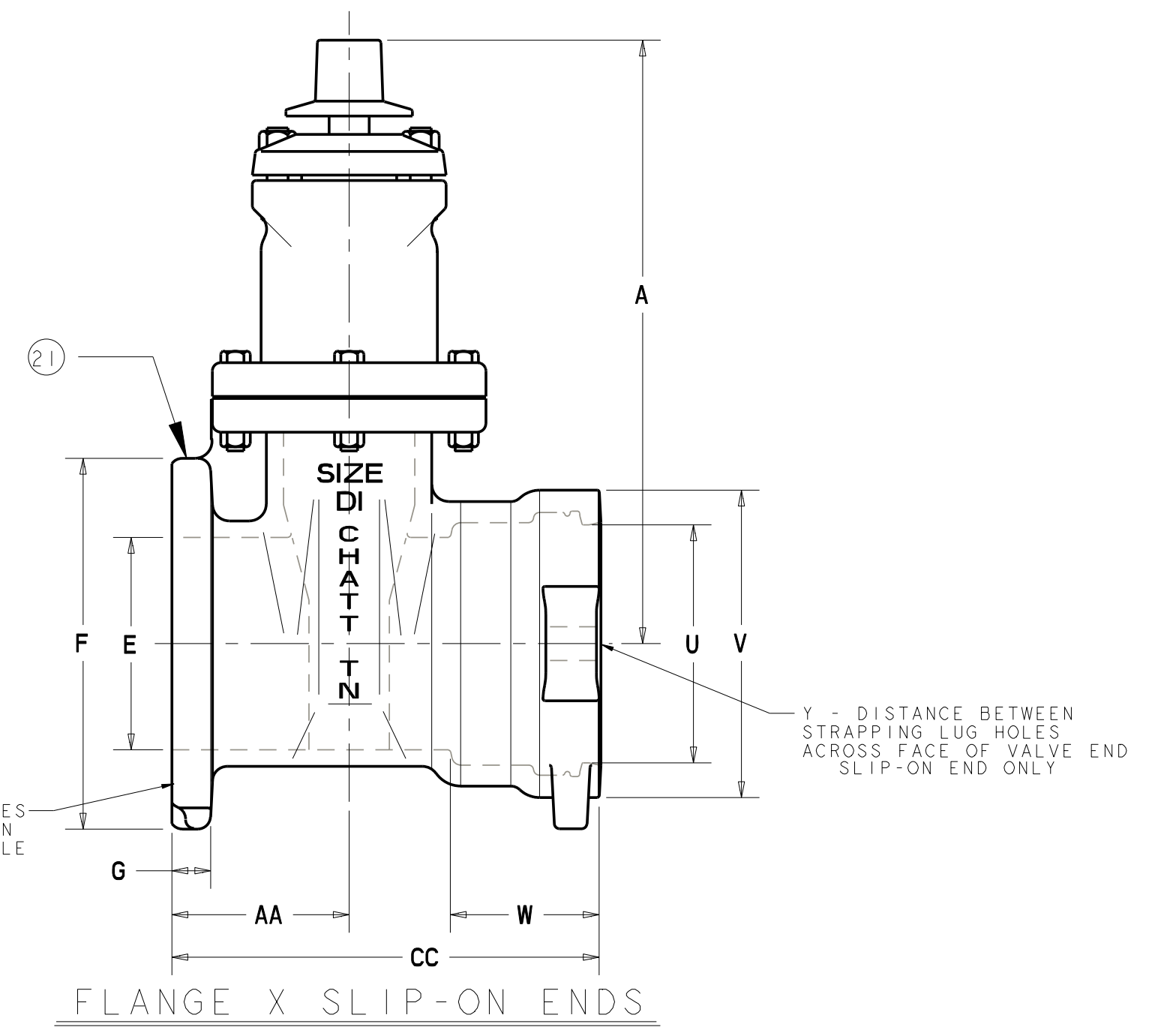
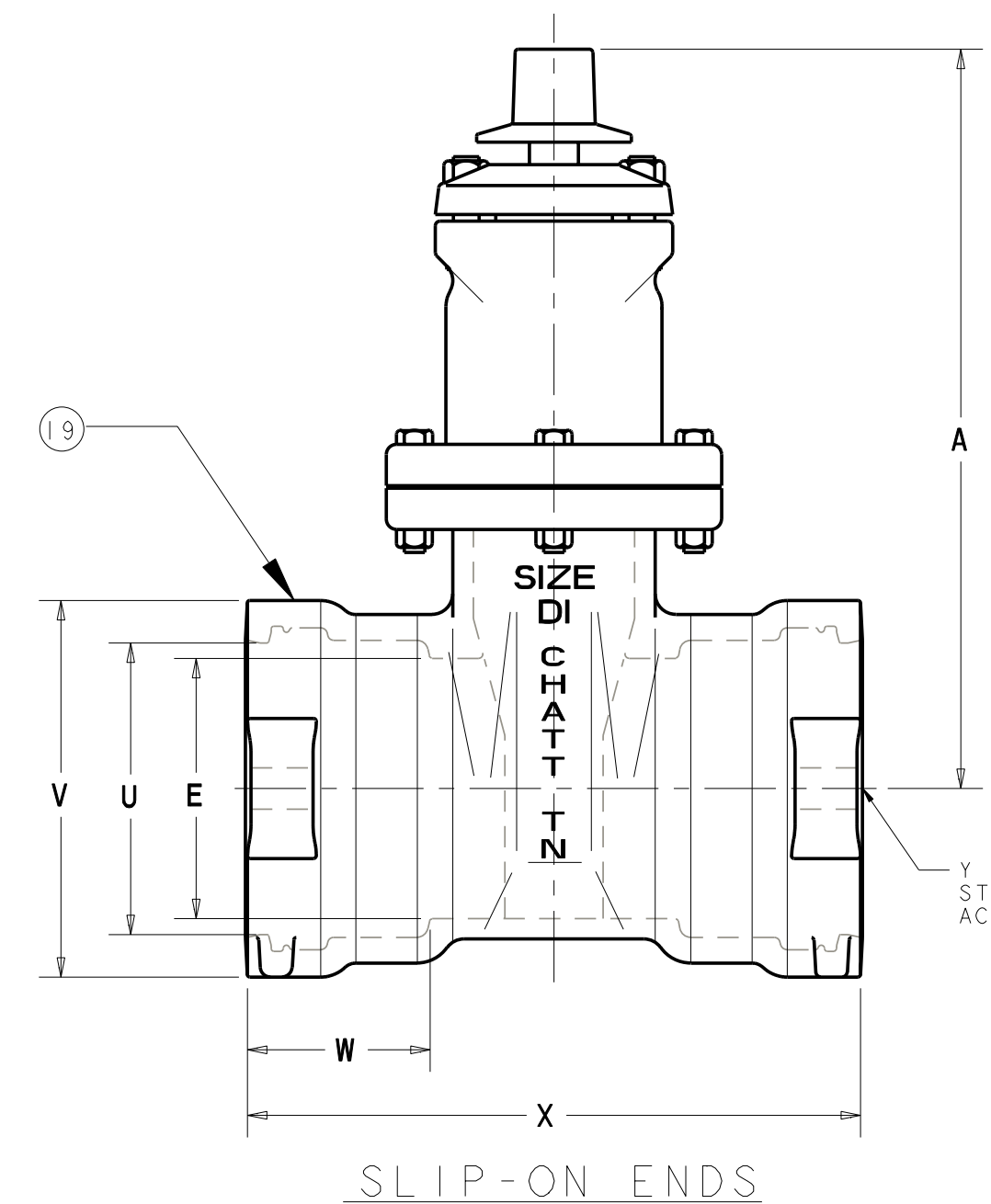
NOTES:
1. RUBBER ENCAPSULATED CAST IRON DISC
CAST IRON - ASTM A126 CLASS B
RUBBER - EPDM- ASTM D2000
2. MANUFACTURER'S OPTION TO UPGRADE MAT'L TO D1 - A536 GR 65-45-12

PART LIST					
ITEM	DESCRIPTION	REQ'D	MATERIAL	ASTM	
1	CAP SCREW	1	304 STAINLESS STEEL	A193	GRADE B8
2	WRENCH NUT	1	CAST IRON [SEE NOTE 2] A	A126	CLASS B
3	STEM	1	BRONZE (EVERDUR)	B98	66100 or 65500
4	STUFFING BOX	1	CAST IRON [SEE NOTE 2] A	A126	CLASS B
5	STUFFING BOX BOLTS STUFFING BOX NUTS	2	304 STAINLESS STEEL 304 STAINLESS STEEL	A193 F594	GRADE B8 GROUP 1
6	O-RING	3	RUBBER	D2000	EPDM
7	O-RING	1	RUBBER	D2000	EPDM
8	ANTI-FRICTION WASHER	2	CELCON		
9	BONNET	1	DUCTILE IRON	A536	65-45-12
10	BONNET BOLTS BONNET NUTS	"Z"	304 STAINLESS STEEL 304 STAINLESS STEEL	A193 F594	GRADE B8 GROUP 1
11	BONNET GASKET (O-RING)	1	RUBBER	D2000	EPDM
13	DISC NUT	1	BRONZE	B62	ALLOY C83600
14	DISC	1	SEE NOTE 1 & 2 A		
15	GUIDE CAP	2	CELCON		
16	BODY - FLANGE ENDS	1	DUCTILE IRON	A536	65-45-12
17	HANDWHEEL	1	CAST IRON [SEE NOTE 2] A	A126	CLASS B
18	BODY - MJ ENDS	1	DUCTILE IRON	A536	65-45-12
19	BODY - SLIP-ON ENDS	1	DUCTILE IRON	A536	65-45-12
20	BODY - FLANGE x MJ END	1	DUCTILE IRON	A536	65-45-12
21	BODY - FLANGE x SLIP-ON END	1	DUCTILE IRON	A536	65-45-12
22	WIPER RING	1	RUBBER		



FLANGE X MECH JOINT ENDS

MECHANICAL JOINT ENDS



SLIP-ON ENDS

FLANGE X SLIP-ON ENDS

DIMENSIONS FOR RESILIENT WEDGE VALVE - INCHES (this drawing only)

VALVE SIZE	A	B	C	D	E	F	G	H	K	L	M	N	P	Q	R	S	T	U	V	W	X	Y	Z	AA	BB	CC	TURN TO OPEN
4	14.19	8.25	10.79	11.00	4.30	9.00	0.94	9.00	8 - 0.75	7.50	4.90	9.12	1.00	2.50	10.00	4 - 0.88	7.50	4.92	6.88	4.12	12.81	8.62	4	4.50	9.50	10.91	14
6	18.00	10.50	13.50	13.00	6.30	11.00	1.06	10.50	8 - 0.88	9.50	7.00	11.12	1.09	2.50	11.60	6 - 0.88	9.50	7.02	9.12	4.38	14.96	10.62	6	5.25	11.06	12.73	20.5
8	21.50	13.21	16.36	14.00	8.30	13.50	1.19	11.50	8 - 0.88	11.75	9.15	13.37	1.18	2.50	12.68	6 - 0.88	11.75	9.30	11.38	5.62	17.94	13.12	6	5.75	12.09	14.72	26.5
10	25.50	16.48	19.99	16.00	10.30	16.00	1.25	13.00	12 - 1.00	14.25	11.20	15.62	1.25	2.50	14.88	8 - 0.88	14.00	11.38	13.50	5.62	18.50	16.38	8	6.50	13.94	15.75	33
12	28.62	16.83	21.00	16.00	12.30	19.00	1.31	14.00	12 - 1.00	17.00	13.30	17.88	1.31	2.50	15.00	8 - 0.88	16.25	13.33	15.75	5.62	18.70	18.12	8	7.00	14.50	16.35	38.5

MUELLER CONFIDENTIAL
Title to and ownership of this engineering data remains in Mueller Co. No use is to be made of this data except as specifically authorized by Mueller Co. Assent on the part of recipients to these conditions is presumed.

DR BY: CAP	03/01/06	UNLESS OTHERWISE NOTED	THIRD ANGLE PROJECTION	C.D. NO.
CHKD: JWD	03/01/06	BREAK CAST CORNERS!		
ENGR: RWV	03/01/06	BREAK MACH CORNERS!	PURCH: NO	FINISH: YES
MFR:			REF. NO.	SCALE: NONE
MFC:			STR. NO.	
TOOL:				
FDRT:				

MAT'L: NOTED	DESCR: 41N - 121N RWGV A2362 - 9306 EPDM RUBBER, EVERDUR STEM	NUMBER: 6767
--------------	---	--------------

APPROVED
By CHAD POOLE at 6:11 pm, Nov 18, 2007

ECO 1387183
ECO 1453238
ADDED MANUFACTURER'S OPTION
ADDED NOTE 2
MCB 11/8/07

6767