

682L 4IN - 12IN MUELLER RESILIENT WEDGE GATE VALVE - P2362 - FLG x FLG - MJ x MJ - SLP x SLP - FLG x SLP - SLP x SLP - W/POST INDICATOR SHOWN

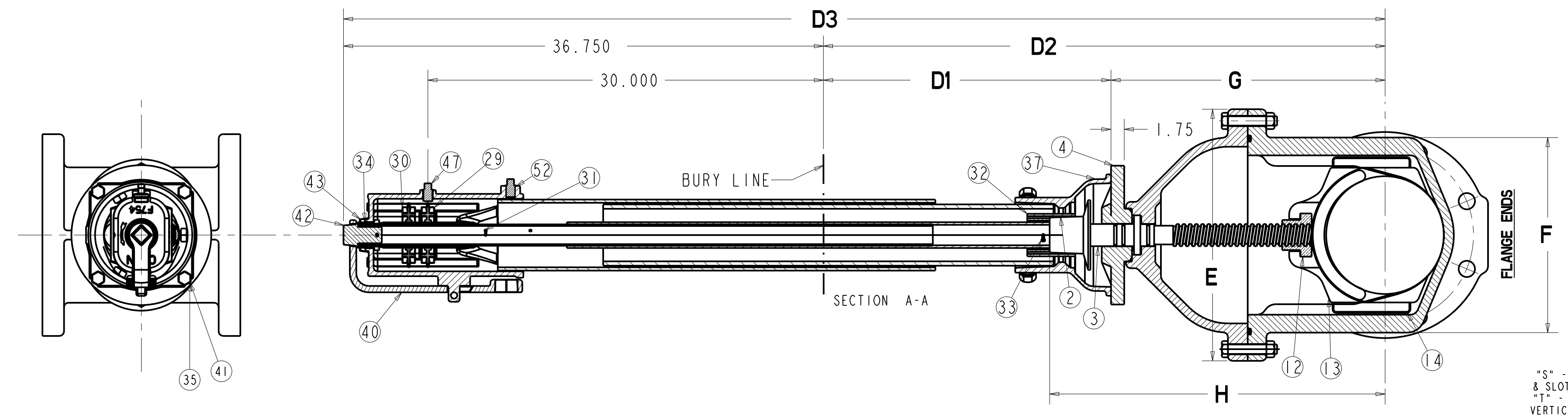
ORDER LENGTH			
POST TYPE	D1 4"-12" SIZES MIN/MAX	D2 4" SIZE" MIN/MAX	D3 4" SIZE MIN/MAX
A	17.25 / 39.25	28.22 / 50.54	64.97 / 87.20
B	36.00 / 60.25	46.97 / 71.22	83.72 / 107.97
C	57.00 / 81.25	67.97 / 92.22	104.72 / 128.97
D	78.00 / 102.25	88.97 / 113.22	125.72 / 149.97
E	99.00 / 123.25	109.97 / 134.22	146.72 / 170.97
F	120.00 / 144.25	130.97 / 155.22	167.72 / 191.97

POST TYPE	D2 6" SIZE" MIN/MAX	D3 6" SIZE MIN/MAX
A	32.13 / 54.13	68.88 / 90.88
B	50.88 / 75.13	87.63 / 111.88
C	71.88 / 96.13	108.63 / 132.88
D	92.88 / 117.13	129.63 / 153.88
E	113.88 / 138.13	150.63 / 174.88
F	134.88 / 159.13	171.63 / 195.88

POST TYPE	D2 8" SIZE" MIN/MAX	D3 8" SIZE MIN/MAX
A	33.55 / 55.55	70.30 / 92.30
B	52.30 / 76.55	89.05 / 113.30
C	73.30 / 97.55	110.05 / 134.30
D	94.30 / 118.55	131.05 / 155.30
E	115.30 / 139.55	152.05 / 176.30
F	136.30 / 160.55	173.05 / 197.30

POST TYPE	D2 10" SIZE" MIN/MAX	D3 10" SIZE MIN/MAX
A	39.59 / 61.59	76.34 / 98.34
B	58.64 / 82.59	95.39 / 119.34
C	79.34 / 103.59	116.09 / 140.34
D	100.34 / 124.59	137.09 / 161.34
E	121.34 / 145.59	158.09 / 182.34
F	142.34 / 166.59	179.09 / 203.34

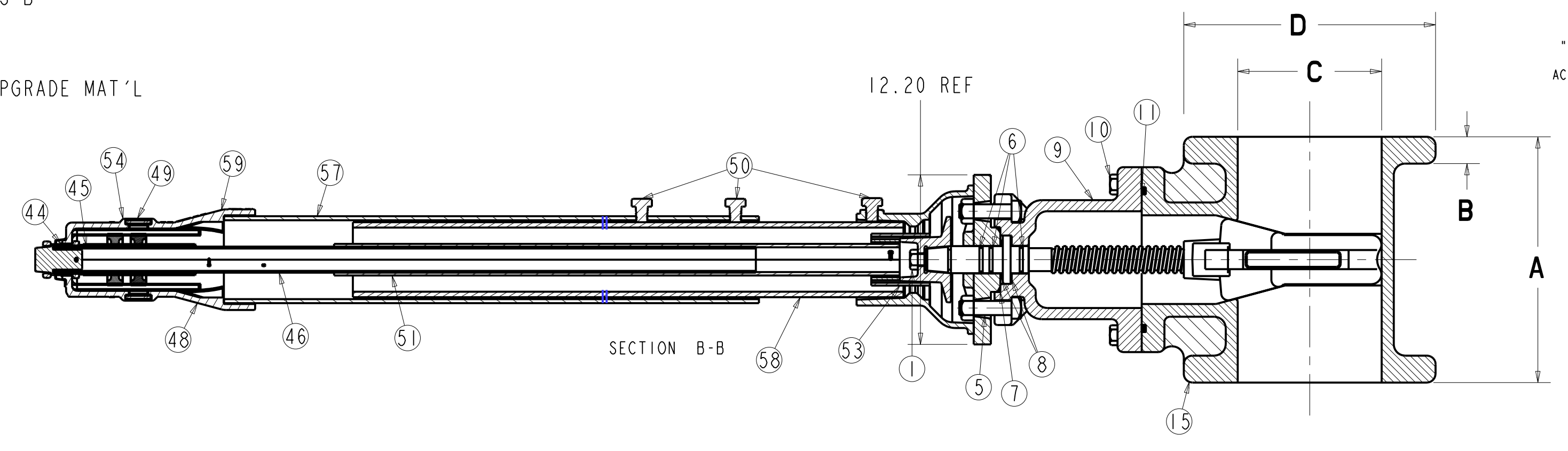
POST TYPE	D2 12" SIZE" MIN/MAX	D3 12" SIZE MIN/MAX
A	41.83 / 63.83	78.58 / 100.58
B	60.58 / 84.83	97.33 / 121.58
C	81.58 / 105.83	118.33 / 142.58
D	102.58 / 126.83	139.33 / 163.58
E	123.58 / 147.83	160.33 / 184.58
F	144.58 / 168.83	181.33 / 205.58



ITEM	DESCRIPTION	REQ'D	MATERIAL	ASTM	GRADE
1	CAP SCREW	1	304 STAINLESS STEEL	A193	GRADE B8
2	WRENCH NUT	1	CAST IRON [SEE NOTE 2]	A126	CLASS B
3	STEM	1	BRONZE	B138	ALLOY C67600
4	STUFFING BOX	1	CAST IRON [SEE NOTE 2]	A126	CLASS B
5	STUFFING BOX BOLTS STUFFING BOX NUTS	2 2	304 STAINLESS STEEL 304 STAINLESS STEEL	A193 F594	GRADE B8 GROUP I
6	O-RING	3	RUBBER	D2000	R34
7	O-RING	1	RUBBER	D2000	R34
8	ANTI-FRICTION WASHER	2	CELCON		M90
9	BONNET	1	DUCTILE IRON	A536	65-45-12
10	BONNET BOLTS BONNET NUTS	-P-	304 STAINLESS STEEL 304 STAINLESS STEEL	A193 F594	GRADE B8 GROUP I
11	BONNET GASKET (O-RING)	1	RUBBER	D2000	R34
12	DISC NUT	1	BRONZE	B62	ALLOY C83600
13	DISC	1	SEE NOTES 1 & 2		
14	GUIDE CAP	2	CELCON		M90
15	BODY (FLG x FLG)	1	DUCTILE IRON	A536	65-45-12
16	BODY - MJ ENDS	1	DUCTILE IRON	A536	65-45-12
17	BODY - FLG x MJ ENDS	1	DUCTILE IRON	A536	65-45-12
18	BODY - FLG x SLP ENDS	1	DUCTILE IRON	A536	65-45-12
19	BODY - SLP ENDS	1	DUCTILE IRON	A536	65-45-12

ITEM	DESCRIPTION	MATERIAL	ASTM	REQ'D
29	SHUT TARGET	PLASTIC-ZYTEL		1
30	OPEN TARGET	PLASTIC-ZYTEL		1
31	COTTER PIN (SHORT)	BRASS	B21	1
32	COUPLING	STEEL	A500 GR. B	1
33	COTTER PIN (LONG)	BRASS	B21	2
34	RETAINING RING	STAINLESS	AISI 302	1
35	HEX BOLT	304 STAINLESS STEEL	A193 - GRADE B8	4
36	WASHER (NOT SHOWN)	STEEL/ZINC PLATED		1
37	BELL	CAST IRON [SEE NOTE 2]	A126 CL. B	1
38	EYE BOLT (NOT SHOWN)	STEEL/ZINC PLATED		1
39	HEX NUT (NOT SHOWN)	STEEL/ZINC PLATED	A563 GR. A	1
40	WRENCH	DUCTILE IRON	A536 GR. 65-45-12	1
41	HEX NUT	304 STAINLESS STEEL	F594 - GROUP I	4
42	OPERATING NUT	DUCTILE IRON	A536 GR. 65-45-12	1
43	CAP	POLYPROPYLENE		1
44	SPRING PIN	STAINLESS	AISI 420	1
45	THREADED SLEEVE	PLASTIC-ZYTEL		1
46	UPPER STEM	STEEL	A513	1
47	PIPE PLUG- HEX SOCKET	STEEL		1
48	POST HEAD	CAST IRON	A126 CL. B	1
49	WINDOW	PLEXIGLASS		2
50	HEX HEAD SCREW	PLASTIC-ZYTEL	A.07 GR. A	5
51	LOWER STEM	STEEL	A500 GR. B	1
52	SOCKET HEAD SET SCREW	STEEL	AISI B18.3	1
53	COUPLING INSERT	STEEL	A500 GR. B	1
54	WINDOW GASKET	SYNTHETIC RUBBER		2
55	SHIPPING DISC (NOT SHOWN)	PRESSBOARD		1
56	WASHER (NOT SHOWN)	STAINLESS	AISI 304	1
57	UPPER BARREL	STEEL	A GR. B	1
58	LOWER BARREL	PVC	DRI4 UL LISTED	1
59	METAL TAG	STAINLESS	304	1

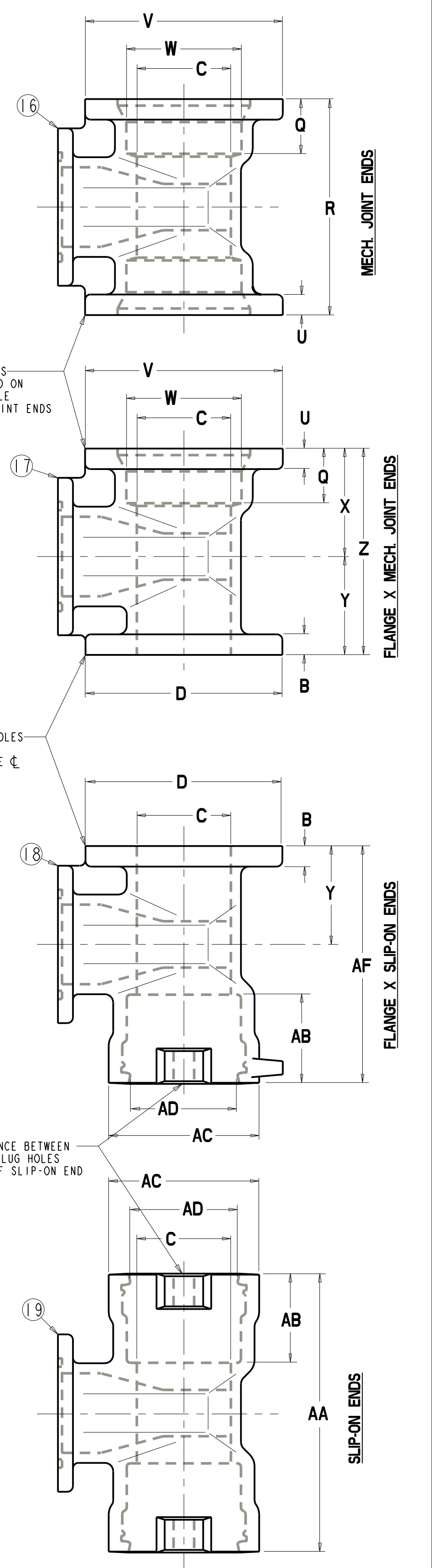
- RUBBER ENCAPSULATED CAST IRON DISC
CAST IRON - ASTM A126 CLASS B
RUBBER - SBR ASTM D2000
MUELLER SPEC R88
- MANUFACTURER'S OPTION TO UPGRADE MAT'L
TO D1 - A536 GR 65-45-12



"S" - NO. & SIZE HOLES & SLOTS EQUALLY SPACED ON VERTICAL C/L - MECH. JOINT ENDS

"L" - NO. & SIZE HOLES EQUALLY SPACED ON "M" - B.C. STRADDLE C/L FLANGE ENDS

"AF" - DISTANCE BETWEEN STRAPPING LUG HOLES ACROSS FACE OF SLIP-ON END



NOTICE:
UL/PM NOTIFICATION
REQUIRED FOR
ALL CHANGES

MUELLER CONFIDENTIAL
TITLE TO AND OWNERSHIP OF THIS ENGINEERING DATA
REMAINS IN MUELLER CO. NO USE IS TO BE MADE
OF THIS DATA EXCEPT AS SPECIFICALLY AUTHORIZED
BY MUELLER CO. ASSENT ON THE PART OF RECIPIENTS
TO THESE CONDITIONS IS PRESUMED.

VALVE SIZE	A	B	C	D	E	F	G	H	J	K	L	M	N	P	Q	R	S	T	U	V	W	X	Y	Z	AA	AB	AC	AD	AE	AF	URNS TO OPEN
4	9.00	.94	4.30	9.00	10.79	8.25	10.95	14.76			8 - 0.75	7.50		4	2.50	10.00	4 - .88	7.50	1.00	9.12	4.90	5.00	4.50	9.50	12.81	4.12	6.88	4.92	8.62	10.91	14
6	10.50	1.06	6.30	11.00	13.50	10.50	14.91	18.55			8 - 0.88	9.50		6	2.50	11.60	6 - .88	9.50	1.09	11.12	7.00	5.81	5.25	11.06	14.96	4.38	9.12	7.02	10.62	12.73	20.5
8	11.50	1.19	8.30	13.50	16.36	13.21	18.02	21.97			8 - 0.88	11.75		6	2.50	12.68	6 - .88	11.75	1.18	13.37	9.15	6.34	5.75	12.09	17.94	5.62	11.38	9.30	13.12	14.72	26.5
10	13.00	1.25	10.30	16.00	19.99	16.48	21.62	25.44			12 - 1.00	14.25		8	2.50	14.88	8 - .88	14.00	1.25	15.62	11.20	7.44	6.50	13.94	18.50	5.62	13.50	11.38	16.38	15.75	33
12	14.00	1.31	12.30	19.00	21.00	16.83	24.52	28.43			12 - 1.00	17.00		8	2.50	15.00	8 - .88	16.25	1.31	17.88	13.30	7.50	7.00	14.50	18.70	5.62	15.75	13.33	18.12	16.35	38.5

ECO 143322
ECO 1562806 HD 5/3/11
UPDATED DIMS IN COL. G & H
10.95 WAS 10.97, 14.91 WAS 14.88
18.02 WAS 16.30, 21.62 WAS 22.34
24.52 WAS 24.38, 14.76 WAS 14.19
18.55 WAS 18.00, 21.97 WAS 21.50
25.44 WAS 25.50, 28.43 WAS 28.62

APPROVED
By Charles Hines at 11:08 pm, May 10, 2011

SR BY: MCB	DATE: 01/15/09	UNLESS OTHERWISE NOTED	THIRD ANGLE PROJECTION	C.D. NO.
CHKD: BMR	DATE: 01/15/09	BREAK CAST CORNERS!		
MR: JWR	DATE: 01/15/09	BREAK MECH CORNERS!	PURCH: NO	FINISH: ASSY
INFO:		TOLERANCES	REF. NO.	SCALE: NONE
TOOL:		UNLESS OTHERWISE NOTED	STR. NO.	
FBY:		LINEAR: ±	ANGULAR: ±	
MAT'L:	NOTED	DESCR:	4IN - 12IN RWGV - P2362 W/POST INDICATOR FLANGE SHOWN	NUMBER: 6821