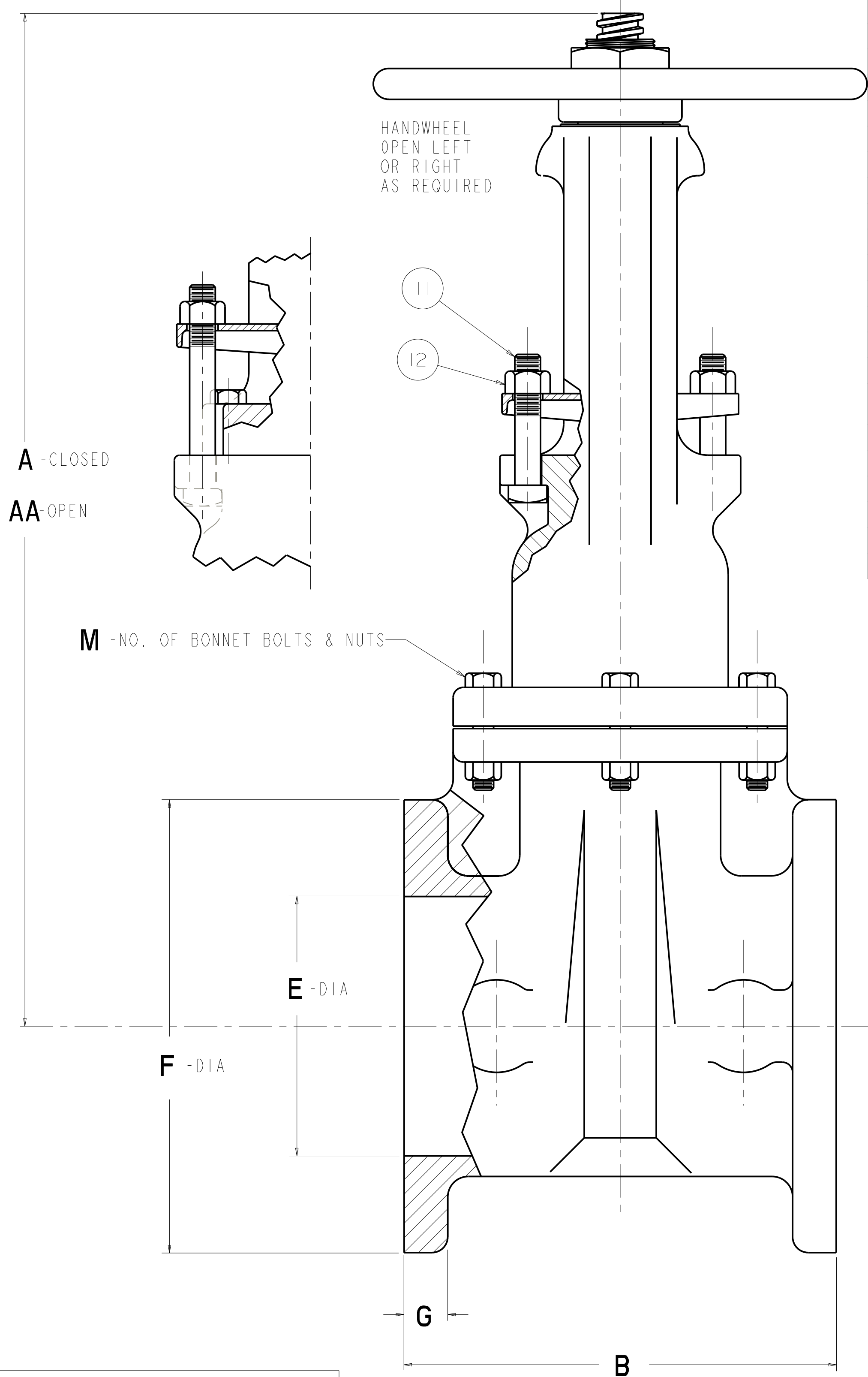
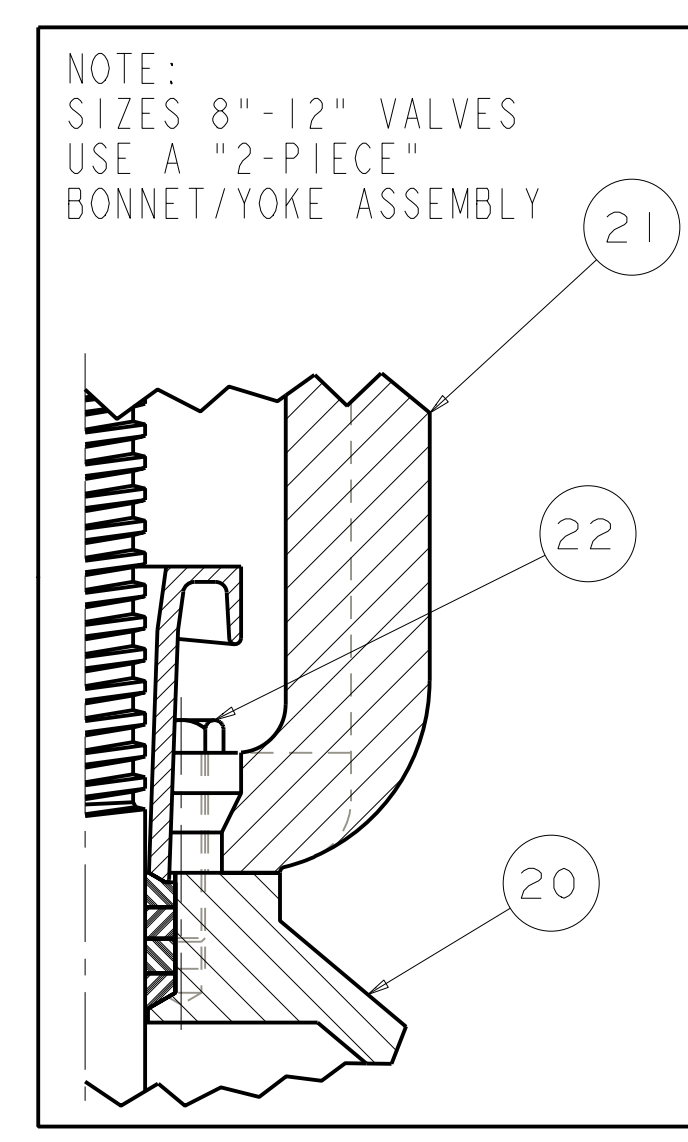
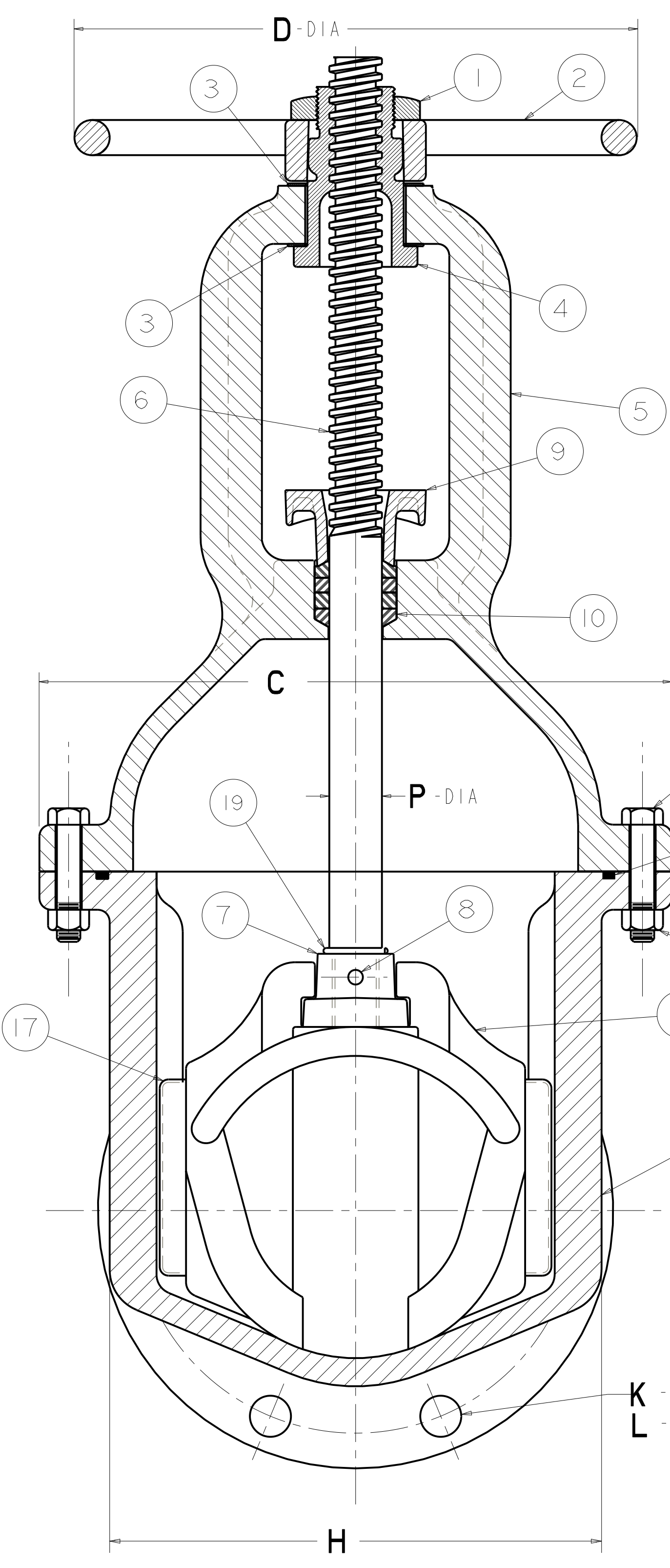


6823 4IN - 12IN RESILIENT WEDGE GATE VALVES - R2460 - OS&Y



PART LIST						
ITEM	DESCRIPTION	RED'D	MATERIAL	ASTM	REMARKS	NOTES
1	CAP NUT	1	BRONZE	B62	ALLOY C83600	
2	HANDWHEEL	1	CAST IRON [SEE NOTE 1]	A126	CLASS B	
3	WASHER	2	BRONZE			
4	BUSH NUT	1	BRONZE	B584	ALLOY C84400	
5	4\"-6\" BONNET&YOKE	1	CAST IRON [SEE NOTE 1]	A126	CLASS B	
6	STEM	1	BRONZE	B138	ALLOY C67600	
7	DISC NUT	1	BRONZE	B62	ALLOY C83600	
8	PIN	1	STAINLESS STEEL		TYPE 304	
9	GLAND FLANGE	1	DUCTILE IRON	A536	GRADE 65-45-12	
10	STEM PACKING	"N"	LUBE FLAX		FED HH-P-106c	
11	GLAND BOLT	2	304 STAINLESS STEEL	A193	GRADE B8	
12	GLAND NUT (4\"-12\")	2	SILICON BRONZE	B98	ALLOY B-12	
13	BONNET BOLT	"M"	304 STAINLESS STEEL	A193	GRADE B8	
14	BONNET NUT	"M"	304 STAINLESS STEEL	F594	GROUP 1	
15	O-RING	1	RUBBER	D2000	R34	
16	DISC RUBBER DISC CASTING	1	RUBBER 4\"-12\" CAST IRON [SEE NOTE 1]	D2000 A126	SBR CLASS B	
17	GUIDE CAP	2	CELCON		M90	
18	4\"-12\" BODY	1	CAST IRON [SEE NOTE 1]	A126	CLASS B	
19	O-RING	1	RUBBER	D2000	R34	
20	8\"-12\" BONNET	1	CAST IRON [SEE NOTE 1]	A126	CLASS B	
21	YOKE	1	CAST IRON [SEE NOTE 1]	A126	CLASS B	
22	4\"-12\" CAP SCREW	4	304 STAINLESS STEEL	A193	GRADE B8	

1. MANUFACTURER'S OPTION TO UPGRADE MAT'L TO DI - A536 GR 65-45-12

SIDE 1	SIDE 2
MUELLER AWWA 250W NSF-61 CHA TN SIZE YEAR	2460 250W CHA TN SIZE

TYPICAL BONNET MARKING COMPLYING WITH UL/FM & AWWA STANDARDS FOR 4\"-12\" RESILIENT WEDGE GATE VALVES

DIMENSIONS FOR MUELLER RWGV OS&Y - INCHES															
VALVE SIZE	A	AA	B	C	D	E	F	G	H	K	L	M	N	P	TURNS TO OPEN
4	19.00	23.68	9.00	10.79	10.00	4.30	9.00	0.94	8.25	8 - .75	7.50	4	4	1.00	14
6	24.50	31.38	10.50	13.50	12.00	6.30	11.00	1.06	10.50	8 - .88	9.50	6	4	1.12	20.5
8	29.50	38.50	11.50	16.36	14.00	8.30	13.50	1.19	13.21	8 - .88	11.75	6	4	1.25	26.5
10	35.75	47.00	13.00	19.99	16.00	10.30	16.00	1.25	16.48	12 - 1.00	14.25	8	4	1.38	33
12	40.50	53.50	14.00	21.00	16.00	12.30	19.00	1.31	16.83	12 - 1.00	17.00	8	3	1.50	38.5

APPROVED
By Jason W. Bradley at 9:30 am, Jan 20, 2009

DR BY: MCB 01/13/09	UNLESS OTHERWISE NOTED	THIRD ANGLE PROJECTION	C.D. NO.
CHKD: CGH 01/16/09	BREAK CAST CORNERS!		
ENGR: JWD 01/16/09	BREAK MACH CORNERS!	PURCH: NO	PART: NO.
MFR:	TOLERANCES	FINISH: ASSY	
MFG:	UNLESS OTHERWISE NOTED	SCALE: NONE	
TOOL:	LINEAR: ±	STR. NO.	
FDRY:	ANGULAR: ±		
MAT'L: NOTED		NUMBER: 6823	
DESCR: 4\"-12\" RWGV R2460 OS&Y			