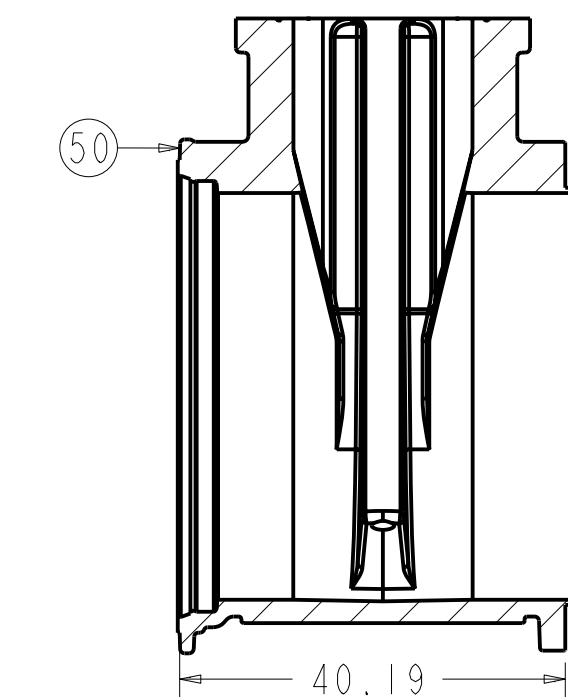
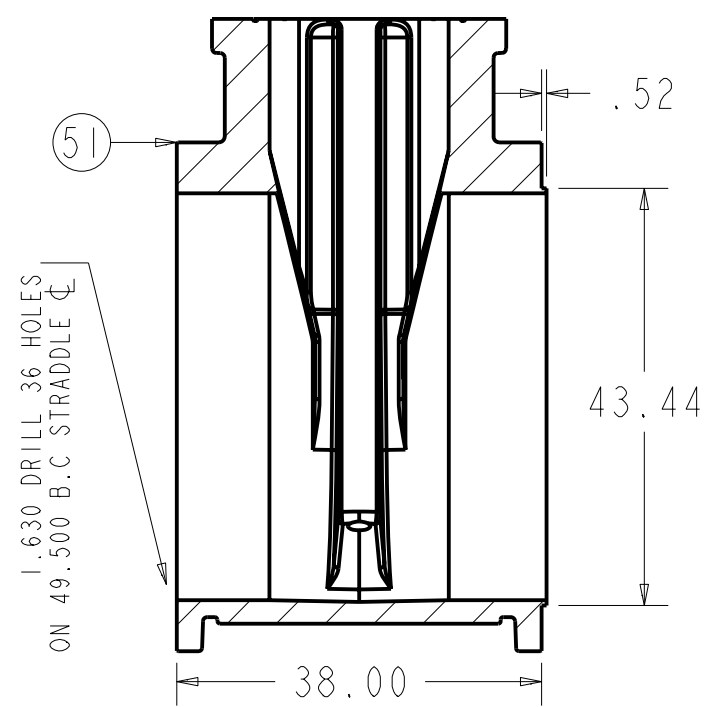
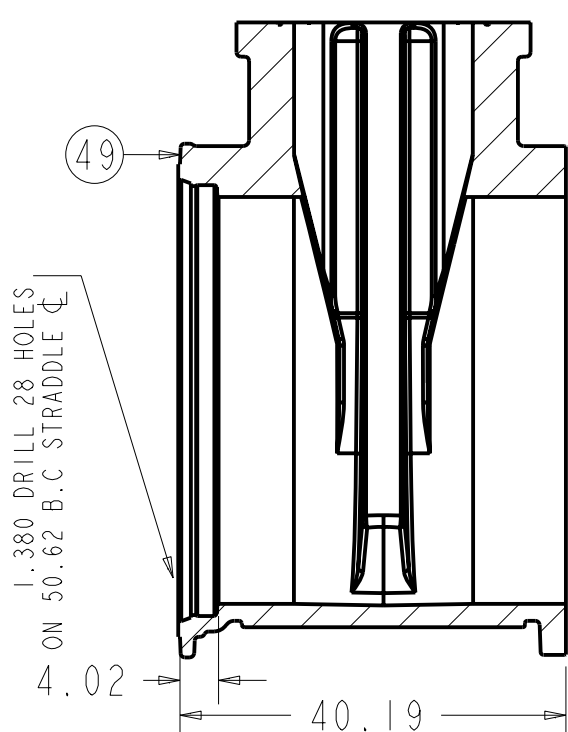
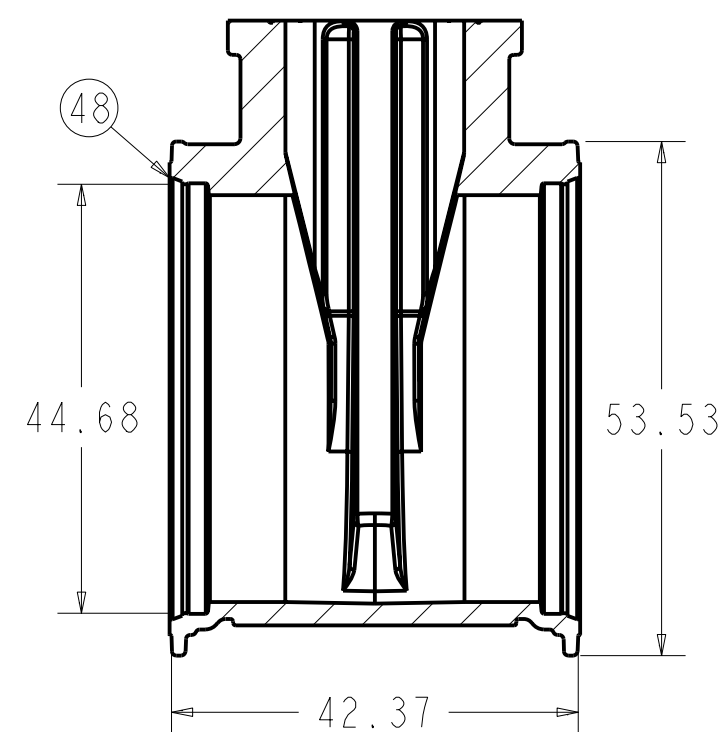
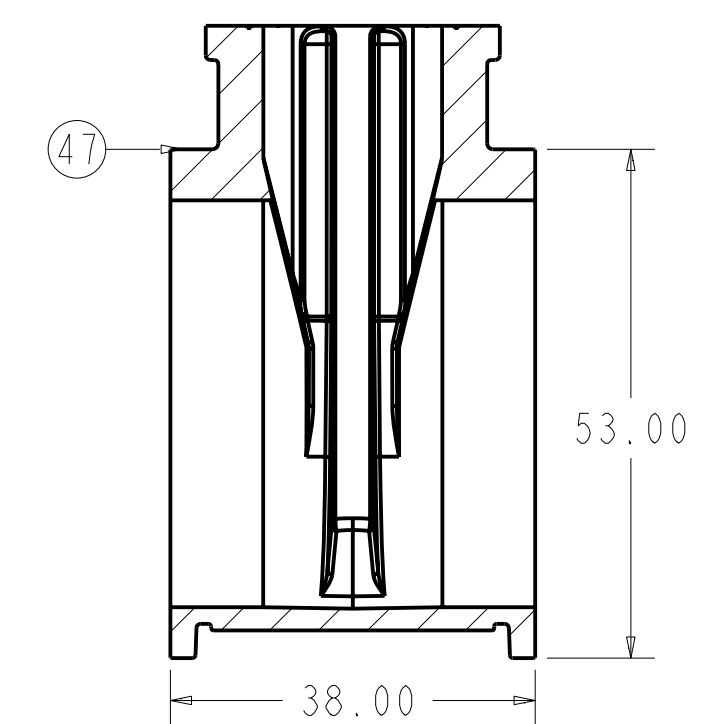
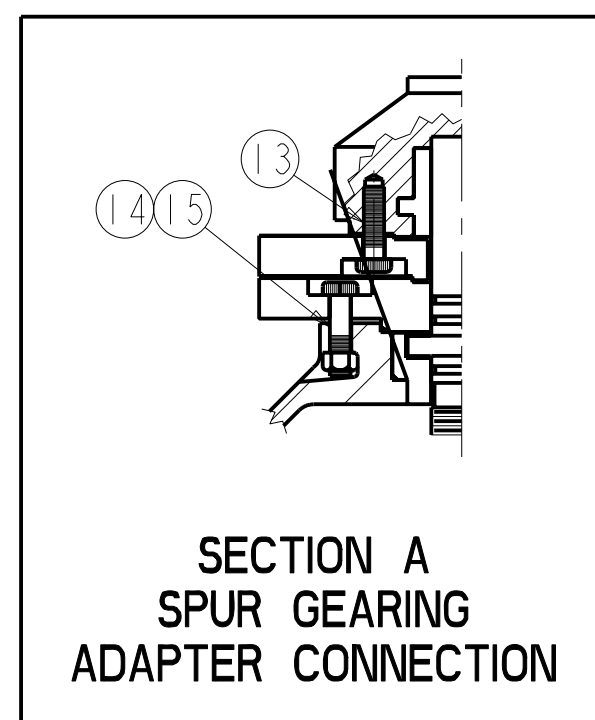
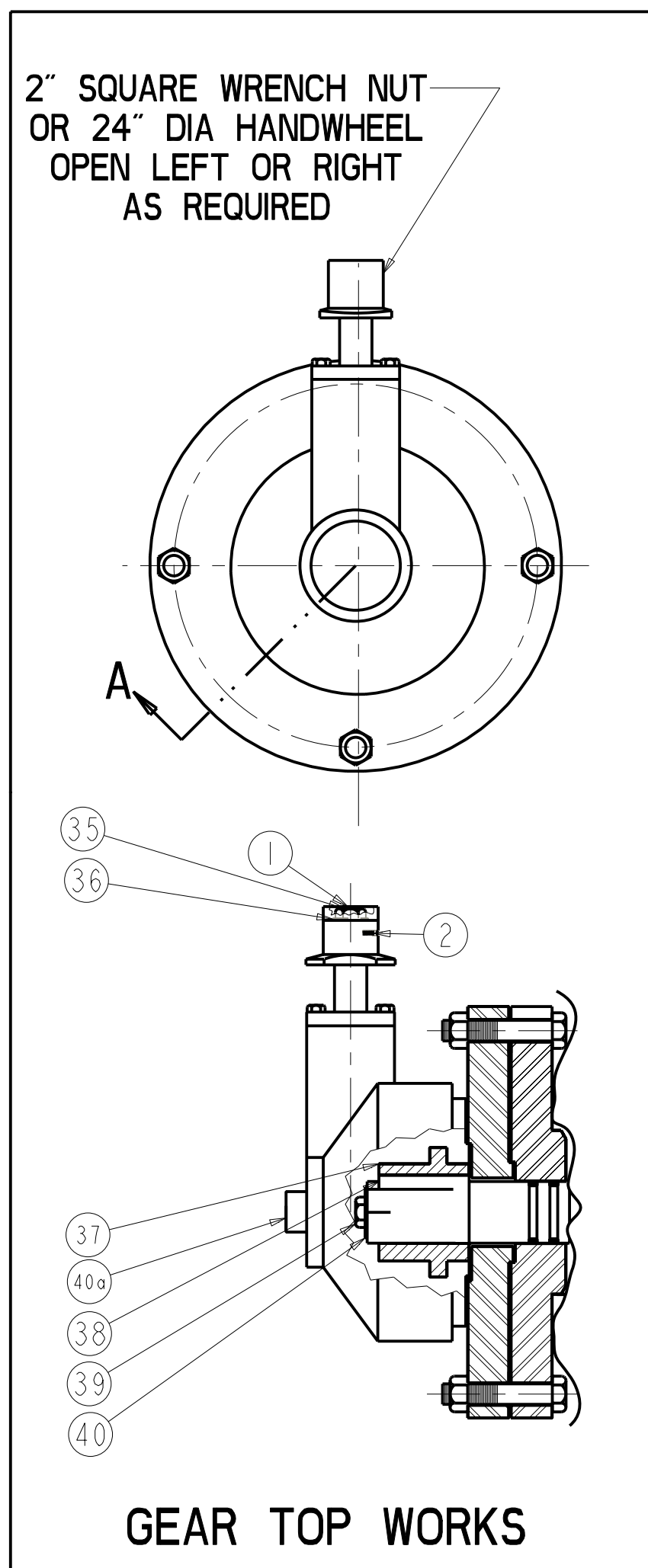


SECTION A-A



PART LIST 42" RWGV ASSEMBLY WITH SPUR GEAR OPERATOR SHOWN 13300' lbs (approx.)

ITEM	DESCRIPTION	REQ'D	MATERIAL	ASTM	
1	WRENCH NUT OPEN LEFT	1	CAST IRON	A126	CLASS B
2	SET SCREW	1			
3	SPUR GEAR 1S7	1			ROTORK
4	HEX BOLT 3/4" x 5 1/2"	4	304 STAINLESS	A593	
5	ADAPTER	1	DUCTILE IRON	A536	GRADE 65-45-12
6	STUFFING BOX w/SPUR GEAR	1	DUCTILE IRON	A536	GRADE 65-45-12
7	HEX NUT 3/4"	4	304 STAINLESS	A594	
8	SO. HEAD PIPE PLUG 1/4-18NPT	1	304 STAINLESS		
9	O-RING 5 1/8"x5 3/8"x 1/8" #251	1	RUBBER	D2000	EPDM
10	O-RING 2 3/4"x3 1/8"x 3/16" #335	3	RUBBER	D2000	EPDM
11	O-RING 6 1/4"x6 5/8"x 3/16" #362	1	RUBBER	D2000	EPDM
12	ANTI-FRICTION (THRUST) WASHER	2	BRASS		HARD CDA260
13	SOCKET HEAD BOLT 3/4"x1 1/2"-SPUR GEAR	4	304 STAINLESS	A593	
14	SOCKET HEAD BOLT 1" x 5"	4	304 STAINLESS	A593	
15	HEAVY HEX NUT 1"	4	304 STAINLESS	A594	
16	EYEBOLT 1 1/2"	2	STEEL		GALVANIZED
17	HEX NUT 1 1/2"	2	STEEL		GALVANIZED
18	BONNET BUSHING	1	BRONZE	B62	
19	STEM	1	BRONZE		SEE NOTE 1
20	BONNET	1	DUCTILE IRON	A536	GRADE 65-45-12
21	HEX BOLT 1 1/4" x 9"	24	304 STAINLESS	A593	
22	HEX NUT 1 1/4"	24	304 STAINLESS	A594	
23	BONNET O-RING	1	RUBBER	D2000	EPDM
24	BODY	1	DUCTILE IRON	A536	GRADE 65-45-12
25	DISC NUT	1	BRONZE	B62	
26	ENCAPSULATED DISC	1	SEE NOTE 2		
27	GUIDE CAP	2	CELCON		M90
<b>GEARED STEM TOP WORKS</b>					
35	CAP SCREW	1	304 STAINLESS	A593	
36	WASHER	1	BRASS		
37	STEM NUT	1	BRASS		
38	KEY	1	STEEL		
39	HOLD DOWN BOLT	1	STEEL		SEE NOTE 4
40	HOLD DOWN WASHER	1	STEEL		SEE NOTE 4
40a	PIPE PLUG 3"	1	CAST IRON		
41	PIN	1	STEEL		
<b>BODY END CONFIGURATIONS</b>					
47	FLANGE x FLANGE BODY	1	DUCTILE IRON	A536	GRADE 65-45-12
48	MECH. JOINT x MECH. JOINT BODY	1	DUCTILE IRON	A536	GRADE 65-45-12
49	FLANGE x MECH. JOINT	1	DUCTILE IRON	A536	GRADE 65-45-12
50	MECH. JOINT x FLANGE TAPPING BODY	1	DUCTILE IRON	A536	GRADE 65-45-12
51	FLANGE x FLANGE TAPPING BODY	1	DUCTILE IRON	A536	GRADE 65-45-12

- NOTES:
- BRONZE ASTM B584 ALLOY C86200
  - RUBBER ENCAPSULATED DUCTILE IRON DISC  
RUBBER - EPDM ASTM D2000  
DUCTILE IRON ASTM A536 GRADE 65-45-12
  3. TURNS TO OPEN SPUR/BEVEL (RATIO 4:1) 524
  - BOLTS - SAE J429 GRADE 2 W/ SC3 PLATING SPEC  
NUTS - ASTM A563 GRADE B

DR BY	DMD	03/9/09	UNLESS OTHERWISE NOTED	THIRD ANGLE PROJECTION	C.D. NO.
CHKD	MCD	03/9/09	BREAK CAST CORNERS!		PART. NO.
ENGR	JWB	03/9/09	BREAK MACH CORNERS!		
MGR			TOLERANCES	NO	ASSY
WFO			UNLESS OTHERWISE NOTED	REF. NO.	SCALE
TOOL			LINEAR	±	ANGULAR
FDRT				STR. NO.	
MATERIAL NOTED					
Mueller Co.			DESCR. 42" RWGV 250-PSI AWWA C515 W/ SPUR GEAR & 304SS FASTENERS		NUMBER 6834