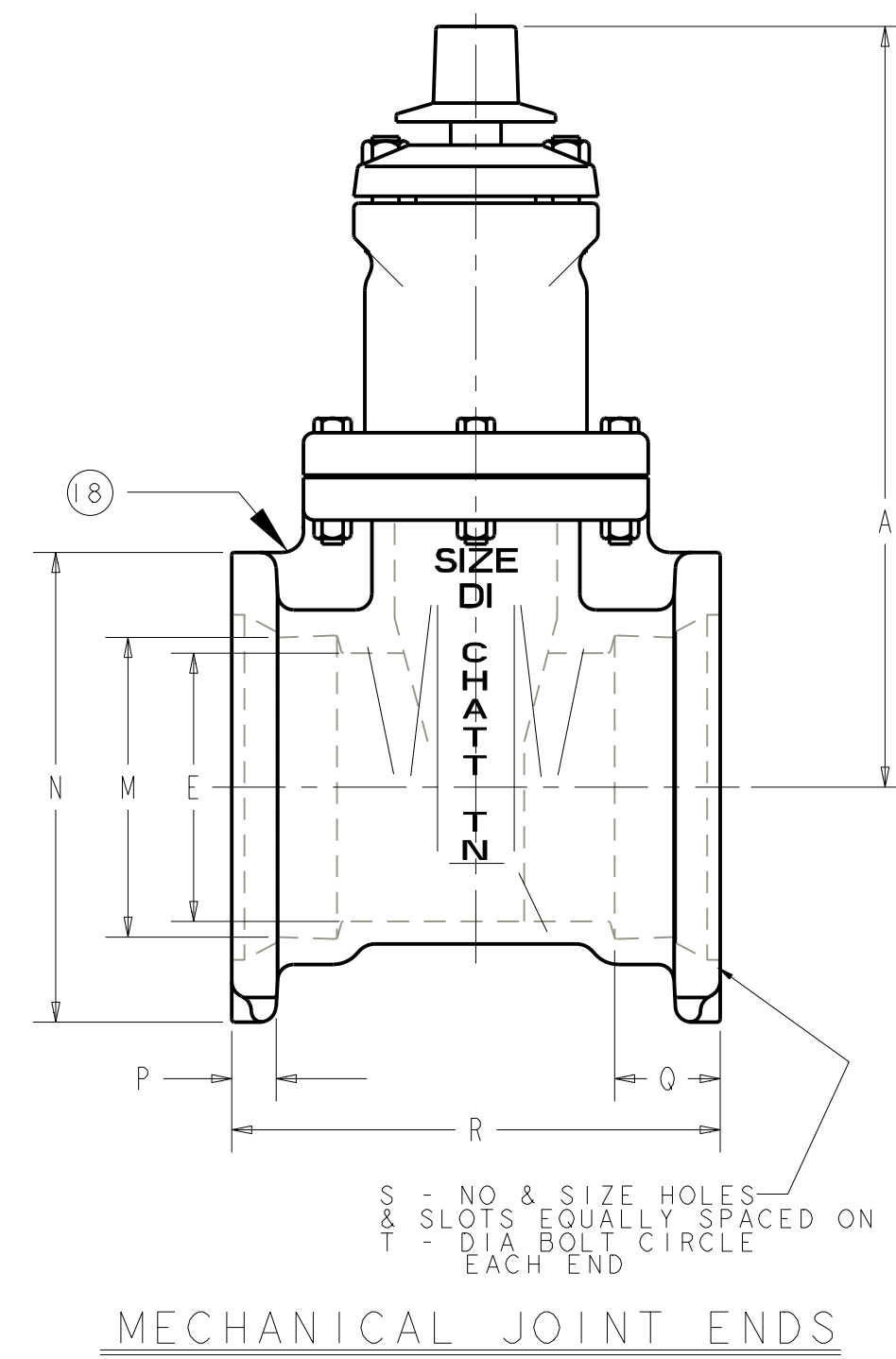
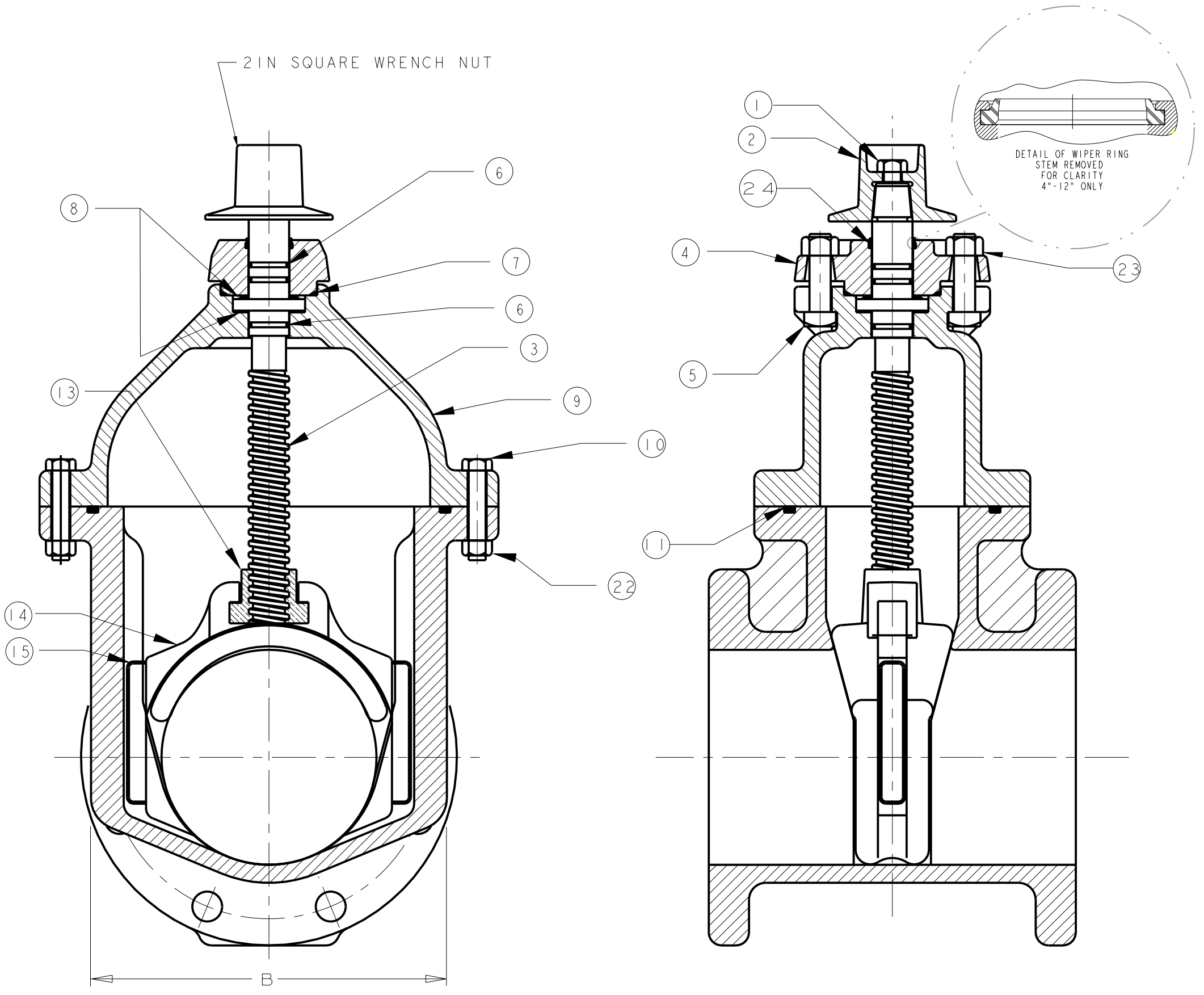
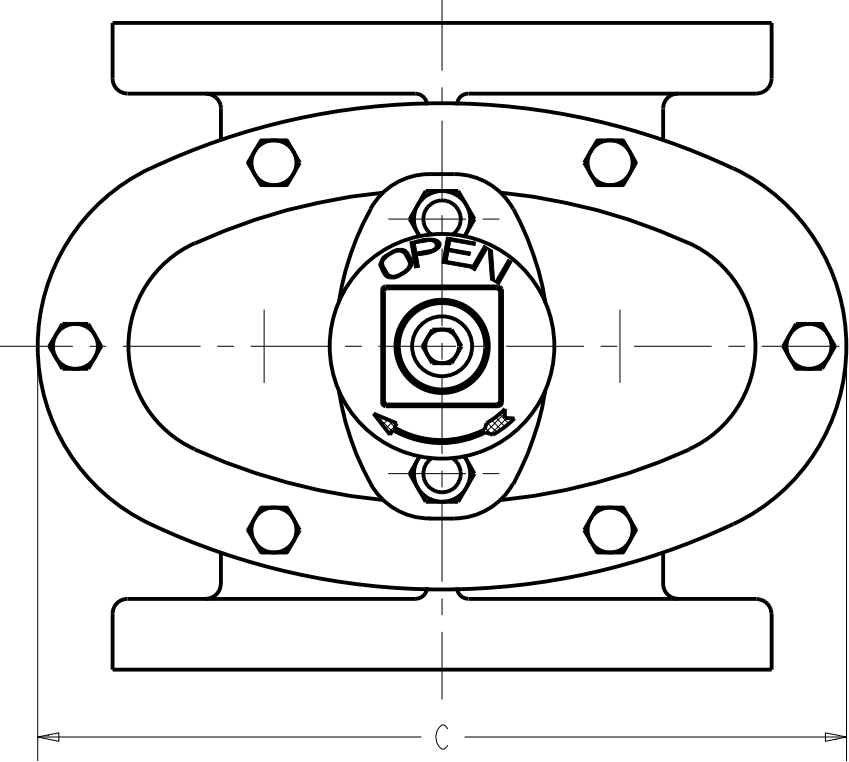


6835 3IN - 12IN 2362 RESILIENT WEDGE GATE VALVE - NRS - AWWA - 250W - 500 TEST W/SILICON BRONZE STEM W/DUCTILE IRON BODY & BONNET & 304SS FASTENERS



PARTS LIST					
ITEM	DESCRIPTION	REQ'D	MATERIAL	ASTM	
1	CAP SCREW	1	304 STAINLESS	F593	
2	WRENCH NUT	1	CAST IRON (SEE NOTE 2)	A126	CLASS B
3	STEM	1	SILICON BRONZE	B98	ALLOY C66100 HO2
4	STUFFING BOX	1	CAST IRON	A126	CLASS B
5	STUFFING BOX BOLT	2	304 STAINLESS	F593	
6	O-RING	3	RUBBER	D2000	R34
7	O-RING	1	RUBBER	D2000	R34
8	ANTI-FRICTION WASHER	2	CELCON		M90
9	BONNET	1	DUCTILE IRON	A536	GRADE 65-45-12
10	BONNET BOLT	"W"	304 STAINLESS	F593	
11	BONNET GASKET O-RING	1	RUBBER	D2000	R34
13	STEM NUT	1	BRONZE	B584 OR B62	CB7600 OR CB3600
14	DISC	1	(SEE NOTE 1 & 2)		
15	GUIDE CAP	2	CELCON		M90
18	BODY (M J ENDS)	1	DUCTILE IRON	A536	GRADE 65-45-12
22	BONNET NUT	"W"	304 STAINLESS	F594	
23	STUFFING BOX NUT	2	304 STAINLESS	F594	
24	WIPER RING	1	RUBBER	D2000	

NOTE:
 (1) RUBBER ENCAPSULATED CAST IRON DISC
 CAST IRON - ASTM A126 CLASS B
 RUBBER - SBR - ASTM D2000
 (2) MANUFACTURER'S OPTION TO UPGRADE MAT'L TO D1 - A536 GR 65-45-12

DIMENSIONS FOR RESILIENT WEDGE VALVE - INCHES														VALVE WEIGHT - LBS		
VALVE SIZE	A	B	C	E	M	N	P	Q	R	S	T	W	URNS TO OPEN	MIN WALL THICKNESS	MJ ENDS	
3	12.38	6.01	8.63	3.30	4.06	7.50	.94	2.50	9.62	4 - 0.75	6.19	4	11	.37	69	
4	14.19	8.25	10.79	4.30	4.90	9.12	1.00	2.50	10.00	4 - 0.88	7.50	4	14	.42	90	
6	18.00	10.50	13.50	6.30	7.00	11.12	1.09	2.50	11.60	6 - 0.88	9.50	6	20.5	.45	150	
8	21.50	13.21	16.36	8.30	9.15	13.37	1.18	2.50	12.68	6 - 0.88	11.75	6	26.5	.52	242	
12	28.62	16.83	21.00	12.30	13.30	17.88	1.31	2.50	15.00	8 - 0.88	16.25	8	38.5	.69	495	

DR BY: BMR 3/30/09	UNLESS OTHERWISE NOTED	THIRD ANGLE PROJECTION	C.D. NO.						
CHKD: NAF 3/30/09	BREAK CAST CORNERS!	<table border="1"> <tr> <td>PURCH: NO</td> <td>FINISH: ASSY</td> <td>PATT. NO.</td> </tr> <tr> <td>REF. NO.</td> <td>SCALE: NONE</td> <td></td> </tr> </table>	PURCH: NO	FINISH: ASSY	PATT. NO.	REF. NO.	SCALE: NONE		
PURCH: NO	FINISH: ASSY		PATT. NO.						
REF. NO.	SCALE: NONE								
ENGR: JWD 3/30/09	BREAK MACH CORNERS!								
MFR:	TOLERANCES								
MFG:	UNLESS OTHERWISE NOTED								
TOOL:	LINEAR	ANGULAR							
DRY:	±	±							
MAT'L NOTED		DESCR.							
Mueller Co.		3IN - 12IN RESILIENT SEATED GATE VALVES - MJ ENDS W/ EVERDUR STEM & 304SS FASTENERS							
		NUMBER 6835							

APPROVED
 By Charles Hines at 10:40 pm, Feb 16, 2012