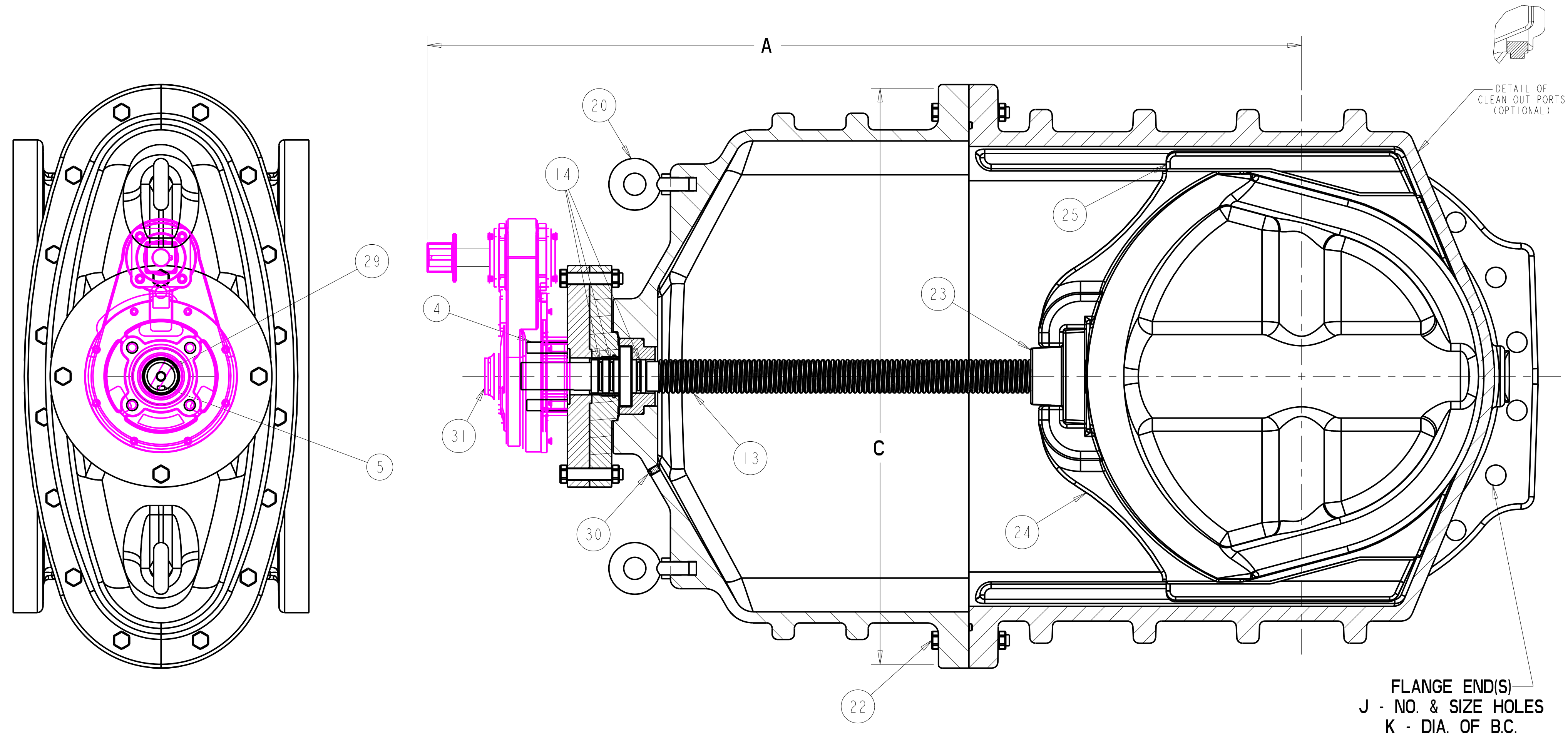
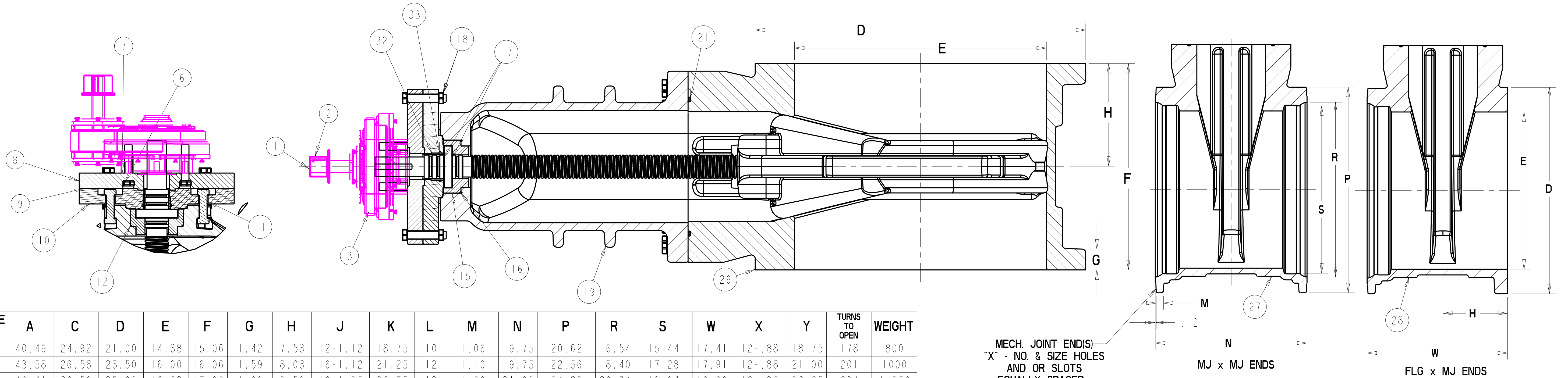


14" - 36" RESILIENT WEDGE GATE VALVES - SPUR GEARING, 304SS STEM & FASTENERS



PARTS LIST				
ITEM	DESCRIPTION	REQ'D	MATERIAL	ASTM
1	CAP SCREW	1	304 STAINLESS STEEL	
2	WRENCH NUT	1	CAST IRON (SEE NOTE 3)	A126
3	SPUR GEARING	1		
4	STEM NUT	1	BRASS	
5	KEY	1	STEEL	
6	SOCKET HEAD SCREW	4	304 STAINLESS STEEL	
7	GASKET	1	RUBBER	D2000
8	ADAPTER	1	STEEL	A36
9	GASKET	1	RUBBER	D2000
10	STUFFING BOX	1	STEEL	A36
11	SOCKET HEAD BOLT & NUT	4	304 STAINLESS STEEL	
12	O-RING	1	EPDM RUBBER	D2000
13	STEM	1	304 STAINLESS STEEL	A276 A473
14	O-RING	3	EPDM RUBBER	D2000
15	BONNET BUSHING	1	BRONZE	B62
16	O-RING	1	EPDM RUBBER	D2000
17	WASHER	2	BRASS	
18	HEX BOLT & NUT	4	304 STAINLESS STEEL	
19	BONNET	1	DUCTILE IRON	A536
20	EYEBOLT	2	STEEL	GALVANIZED
21	O-RING	1	EPDM RUBBER	D2000
22	HEX BOLT & NUT	"L"	304 STAINLESS STEEL	
23	DISC NUT	1	BRONZE	B62
24	DISC	1		
25	GUIDE CAP	2	CELCON	M90
26	BODY - FLG ENDS	1	DUCTILE IRON	A536
27	BODY - MJ ENDS	1	DUCTILE IRON	A536
28	BODY FLG X MJ ENDS	1	DUCTILE IRON	A536
29	HOLD-DOWN WASHER & BOLT	1	304 STAINLESS STEEL	
30	PIPE PLUG	1	304 STAINLESS	A193
31	ACTUATOR PIPE PLUG	1	CAST IRON	GRADE B8
32	STUFFING BOX SLEEVE	1	DELRIN	
33	O-RING	1	EPDM RUBBER	D2000

NOTES:
 1) RUBBER ENCAPSULATED DUCTILE IRON DISC
 14" AND 16" SBR RUBBER - EPDM ASTM D2000 OPTIONAL
 18" TO 36" - EPDM ASTM D2000
 DUCTILE IRON ASTM A536 GRADE 65-45-12
 2) BOLTS - ASTM A193 GRADE B8
 NUTS - ASTM F594 GROUP 1
 3) MANUFACTURER'S OPTION TO UPGRADE MATERIAL TO
 DUCTILE IRON A536 GRADE 65-45-12.



VALVE SIZE	A	C	D	E	F	G	H	J	K	L	M	N	P	R	S	W	X	Y	TURNS TO OPEN	WEIGHT
14	40.49	24.92	21.00	14.38	15.06	1.42	7.53	12-1.12	18.75	10	1.06	19.75	20.62	16.54	15.44	17.41	12-.88	18.75	178	800
16	43.58	26.58	23.50	16.00	16.06	1.59	8.03	16-1.12	21.25	12	1.10	19.75	22.56	18.40	17.28	17.91	12-.88	21.00	201	1000
18	49.41	30.50	25.00	18.38	17.00	1.69	8.50	16-1.25	22.75	12	1.06	21.00	24.88	20.74	19.64	19.00	12-.88	23.25	234	1,350
20	53.01	33.75	27.50	20.38	18.00	1.78	9.00	20-1.25	25.00	12	1.60	21.50	27.25	22.84	21.74	19.75	14-.88	25.50	258	1,800
24	59.15	39.50	32.00	24.38	20.00	2.00	10.00	20-1.38	29.50	16	1.12	23.50	31.88	27.05	25.94	21.75	16-.88	30.00	308	2,300
30	70.81	48.00	38.75	30.38	26.00	2.12	13.00	28-1.38	36.00	20	1.25	33.50	39.53	33.47	32.18	29.75	20-1.125	36.88	444	5,000
36	83.08	56.50	46.00	36.38	30.00	2.37	15.00	32-1.63	42.75	24	1.45	37.50	46.41	39.77	38.48	33.75	24-1.125	43.75	455	8,400

APPROVED
 By Charles Hines at 10:41 pm, Feb 16, 2012

DR BY: NAF 7/30/09	UNLESS OTHERWISE NOTED	THIRD ANGLE PROJECTION	C.B. NO.
CHKD: CGH 7/30/09	BREAK CAST CORNER(S)		
ENGR: JWB 7/30/09	BREAK MACH CORNER(S)		
MFG:	TOLERANCES	PURCH. NO.	FINISH
TOOL:	UNLESS OTHERWISE NOTED	REF. NO.	ASSY
EQPT:	LINEAR	SCALE	NONE
	ANGULAR	STA. NO.	
NOTED			
Mueller Co.		4" - 36" RWGV'S W/ ROTORK SPUR 304SS STEM & FASTENERS	
NUMBER			6842

MUELLER CONFIDENTIAL: TITLE TO AND OWNERSHIP OF THIS ENGINEERING DATA REMAINS IN MUELLER COMPANY. NO USE IS TO BE MADE OF THIS DATA EXCEPT AS SPECIFICALLY AUTHORIZED BY MUELLER COMPANY. ASSENT ON THE PART OF THE RECIPIENTS TO THESE CONDITIONS IS PRESUMED.