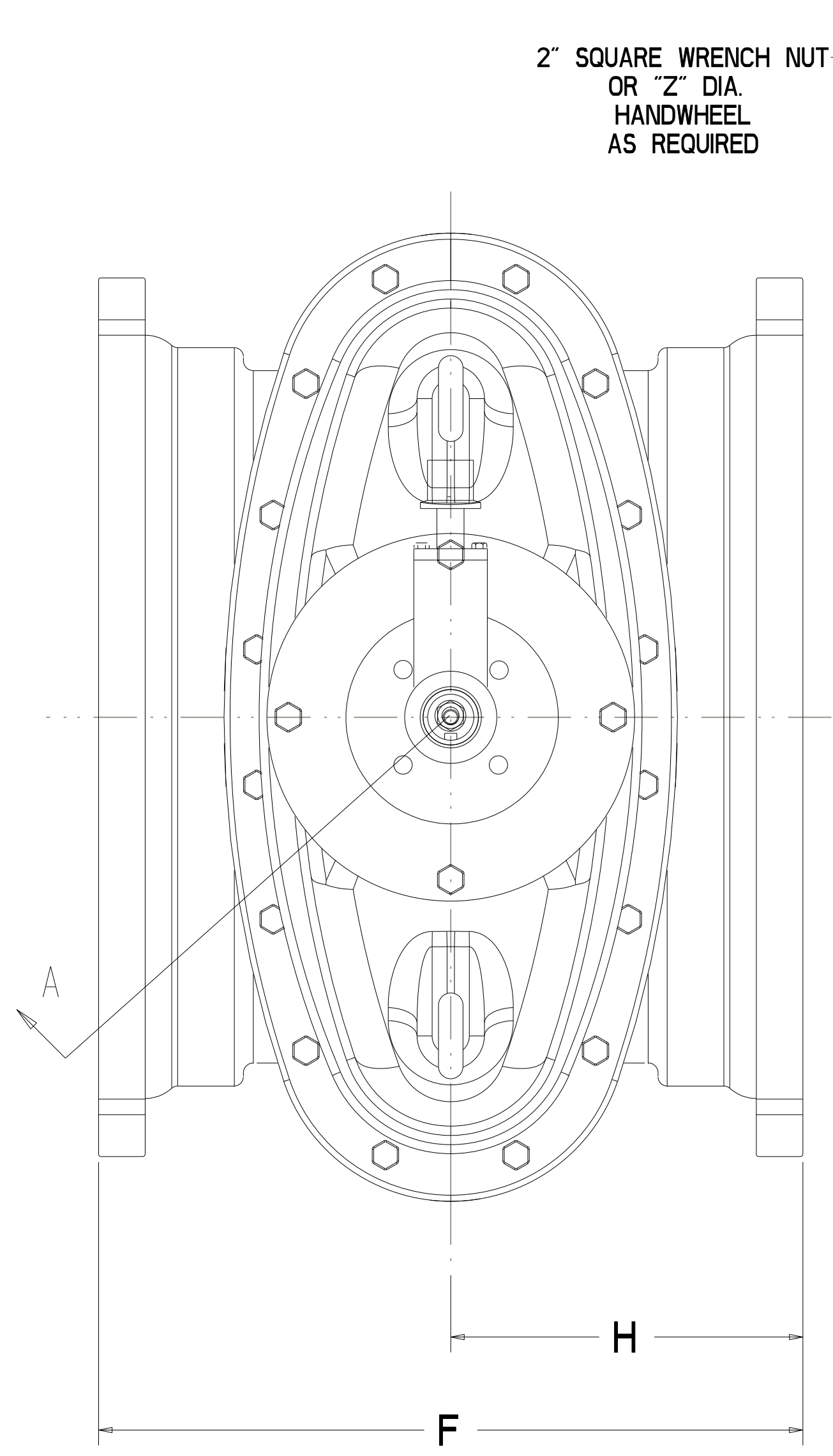
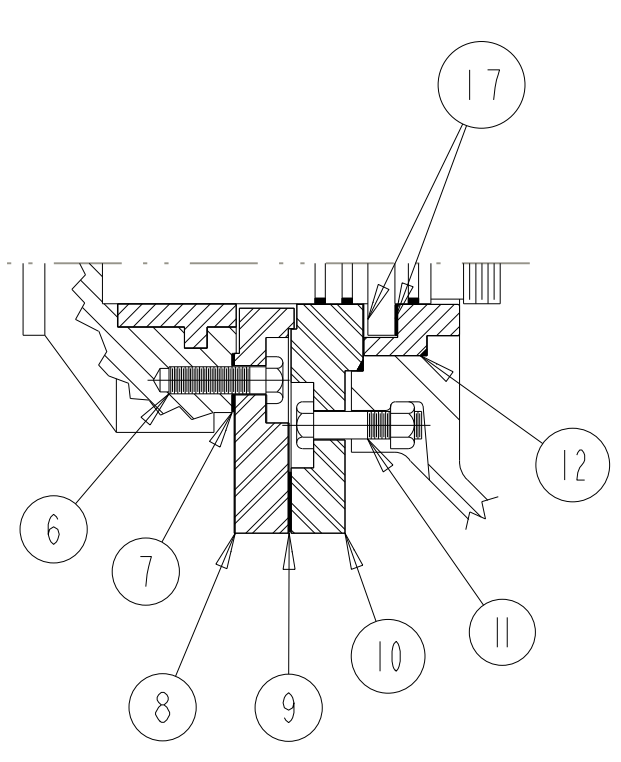
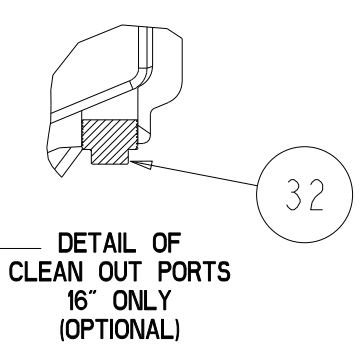
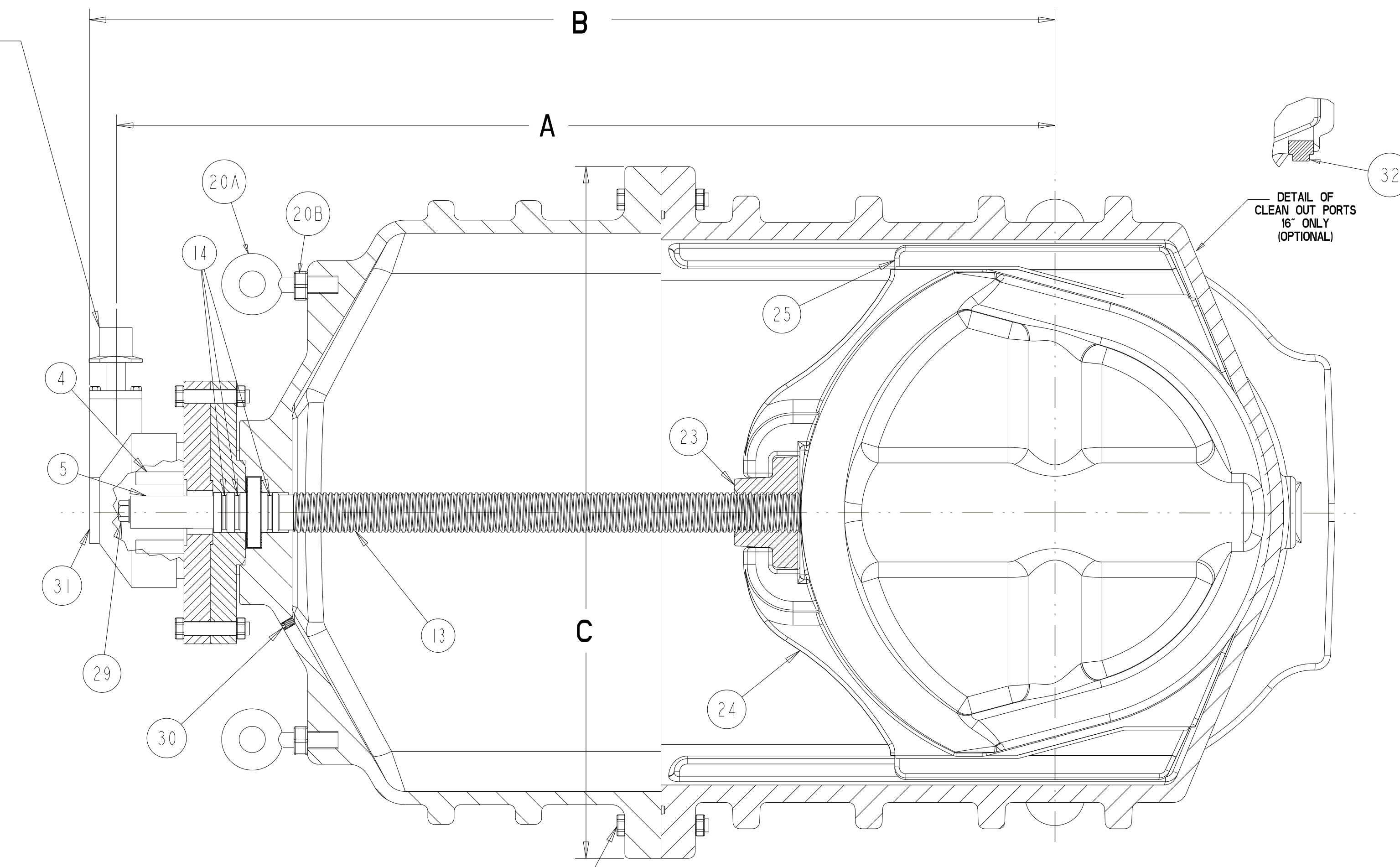


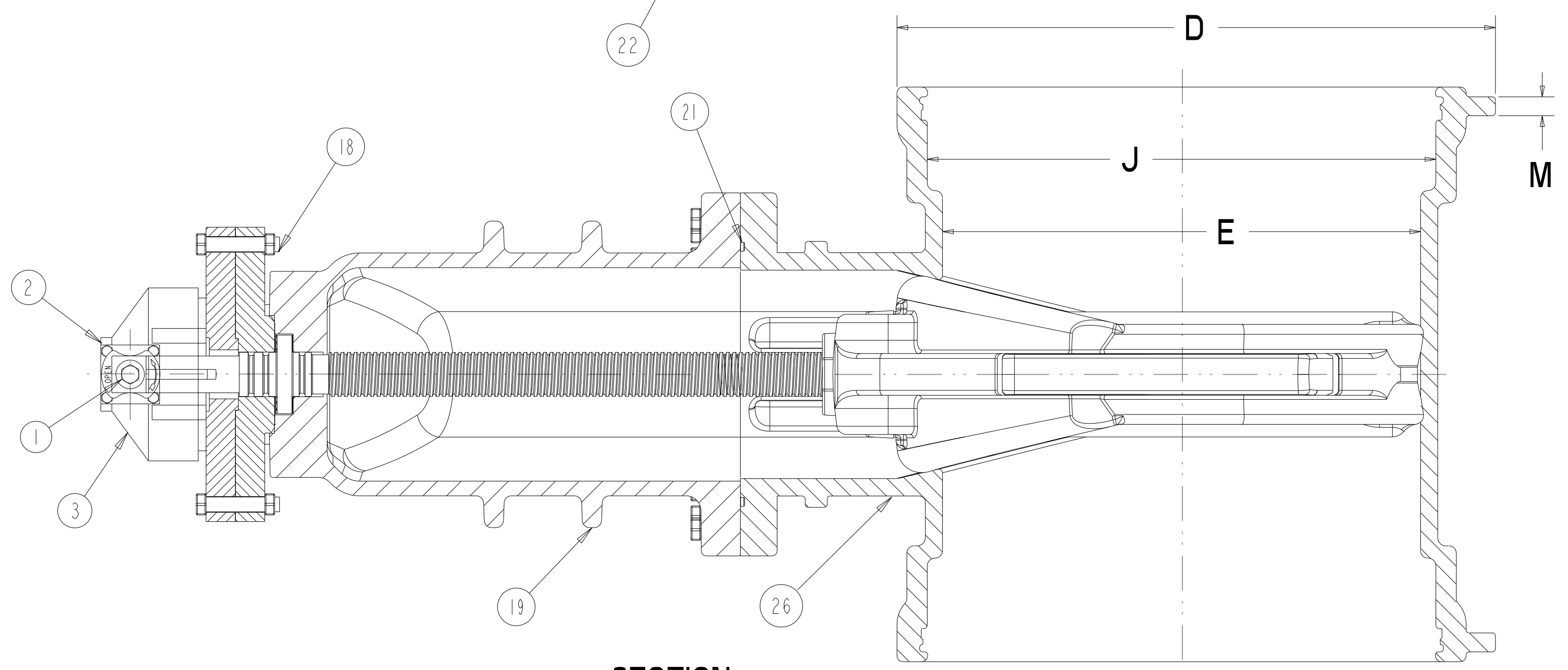
16" SO X SO RWGV, W/ OR W/O BEVEL GEAR, 304 SS FASTENERS, EPDM, EVERDUR STEM



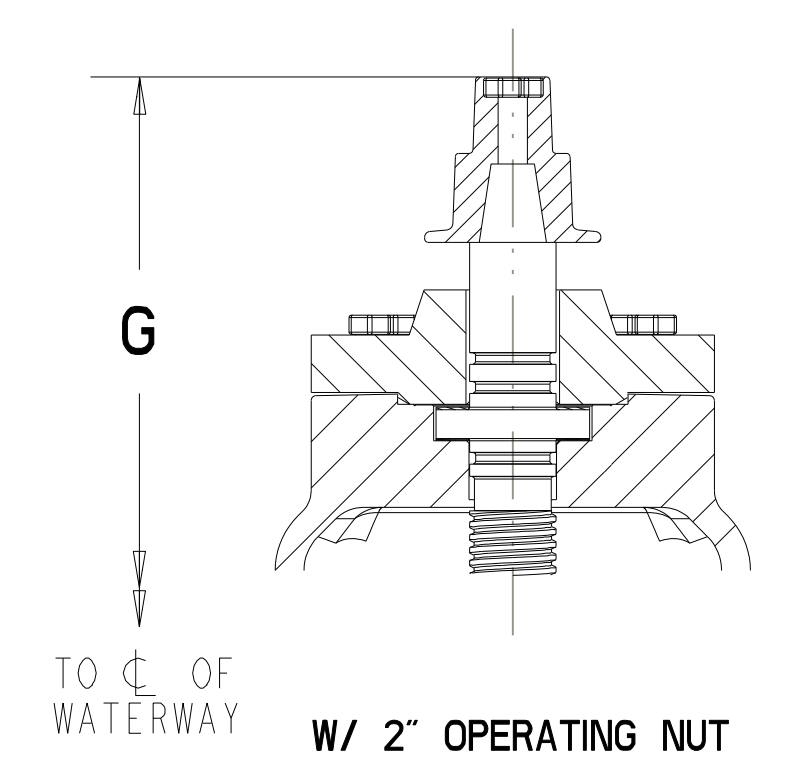
2" SQUARE WRENCH NUT
OR "Z" DIA.
HANDWHEEL
AS REQUIRED



SECTION A



SECTION B-B



W/ 2" OPERATING NUT

PARTS LIST				
ITEM	DESCRIPTION	REQ'D	MATERIAL	ASTM
1	CAP SCREW	1	304 STAINLESS	SEE NOTE 2
2	WRENCH NUT	1	CAST IRON [SEE NOTE 4]	A126
3	BEVEL GEAR UNIT	1		SEE NOTE 3
4	STEM NUT	1	BRASS	
5	KEY	1	STEEL	
6	SOCKET HEAD SCREW	4	304 STAINLESS	SEE NOTE 2
7	GASKET	1	RUBBER	D2000
8	ADAPTER	1	DUCTILE IRON	A536 65-45-12
9	GASKET	1	RUBBER	D2000
10	STUFFING BOX	1	DUCTILE IRON	A536 65-45-12
11	SOCKET HEAD BOLT & NUT	4	304 STAINLESS	SEE NOTE 2
12	O-RING	1	RUBBER - EPDM	D2000
13	STEM	1	SILICON BRONZE	B98 ALLOY C66100 H02
14	O-RING	3	RUBBER - EPDM	D2000
17	WASHER	2	BRASS	
18	HEX BOLT & NUT	4	304 STAINLESS	SEE NOTE 2
19	BONNET	1	DUCTILE IRON	A536 GR. 65-45-12
20A	EYEBOLT	2	STEEL	GALVANIZED
20B	HEX NUT	2	STEEL	GALVANIZED
21	O-RING	1	RUBBER - EPDM	D2000
22	HEX BOLT & NUT	"L"	304 STAINLESS	SEE NOTE 2
23	DISC NUT	1	BRONZE	B62
24	DISC	1		SEE NOTE 1
25	GUIDE CAP	2	CELCON	M90
26	BODY - SO ENDS	1	DUCTILE IRON	A536 GR. 65-45-12
29	HOLD-DOWN WASHER & BOLT	1	304 STAINLESS	SEE NOTE 2
30	PIPE PLUG	1	304 STAINLESS	A193 GRADE B8
31	ACTUATOR CAP PLUG	1	CAST IRON [SEE NOTE 4]	
32	PIPE PLUG	2	SUPPLIED WHEN TAPPED	

- NOTE:
- 1) RUBBER ENCAPSULATED DUCTILE IRON DISC
RUBBER - EPDM ASTM D2000
DUCTILE IRON ASTM A536 GRADE 65-45-12
 - 2) BOLTS - ASTM A193 GRADE B8
NUTS - ASTM F594 GROUP 1
 - 3) VALVES WILL BE FURNISHED WITH ONE OF THE LISTED OPERATORS AT THE MANUFACTURER'S DISCRETION.
14" - 16" MASTERGEAR OR ROTORK
 - 4) MANUFACTURER'S OPTION TO UPGRADE MATERIAL TO DUCTILE IRON A536 GRADE 65-45-12

VALVE SIZE	A	B	C	D	E	F	G	H	J	L	M	Z	URNS TO OPEN 2" WRENCH NUT	URNS TO OPEN ROTORK, RATIO 4:1	EST. WEIGHT
16	39.24	37.03	26.58	22.00	16.00	25.37	37.88	12.69	17.74	12	0.98	12.00	49	196	1,000

APPROVED
By Graham Hines at 3:47 pm, Aug 28, 2009

DR BY: NAF 08/28/09	UNLESS OTHERWISE NOTED	THIRD ANGLE PROJECTION	C.D. NO.
CHKD: CGH 08/28/09	BREAK CAST CORNERS!		PART. NO.
ENGR: RWV 08/28/09	BREAK MACH CORNERS!		
MFR:	TOLERANCES	PURCH: NO	FINISH: ASSY
MFG:	UNLESS OTHERWISE NOTED	REF. NO.	SIZE: NONE
TOOL:	LINER ±	ANGULAR ±	STR. NO.
FBKT:			
MAT'L: NOTED		NUMBER: 6844	
Mueller Co.		DESCR: 16" SO X SO RWGV W/ OR W/O BEVEL GEAR 304 SS FASTENERS, EPDM, EVERDUR STEM	