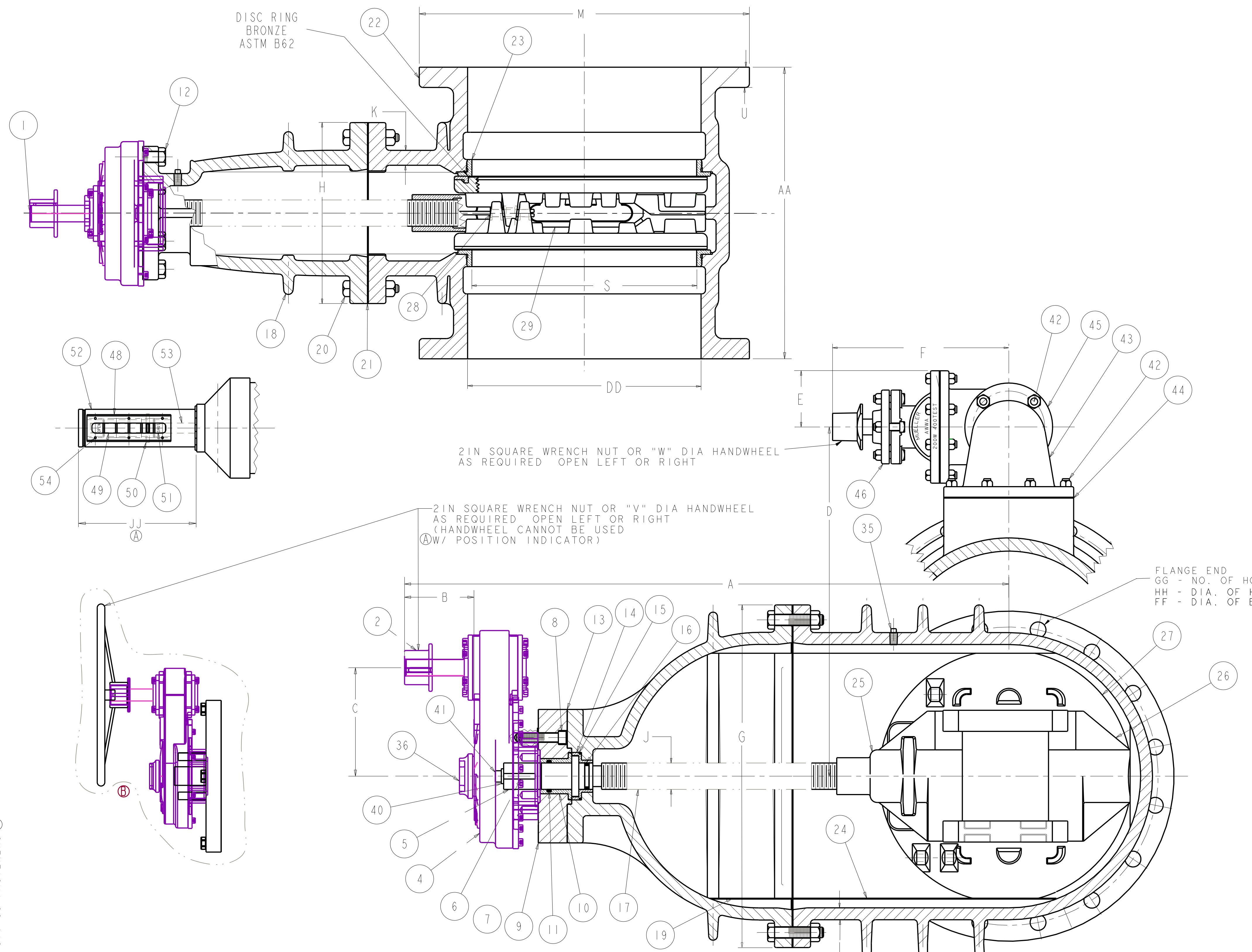


16" - 36" MUELLER GATE VALVE W/SPUR GEAR - POSITION INDICATOR
SIDE BY-PASS - 316 SS FASTENERS



PARTS LIST

ITEM	DESCRIPTION	REQ'D	MATERIAL	ASTM	GROUP
1	CAP SCREW	1	316 SS (A)	F593	GROUP 2-CW
2	WRENCH NUT	1	CAST IRON	A126	CLASS B
		1	*		
4	VALVE ACTUATOR	1			
5	DRIVE SLEEVE	1	*		
6	KEY	1	STEEL		
7	ACTUATOR GASKET	1	NEOPRENE	D2000	MUELLER R51
8	CAP SCREW	4	316 SS	F593	GROUP 2-CW
9	ACTUATOR ADAPTER	1	CAST IRON	A126	CLASS B
10	ADAPTER BUSHING	1	BRONZE	B62	
11	O-RING	1	RUBBER	D2000	MUELLER R34
12	CAP SCREW	6	316 SS	F593	GROUP 2-CW
13	STANDARD GASKET	1	RUBBER	D2000	
14	BONNET BUSHING	1	BRONZE	B62	
15	O-RING	1	RUBBER	D2000	MUELLER R34
16	O-RING	1	RUBBER	D2000	MUELLER R34
17	STEM	1	BRONZE	**	
18	BONNET	1	CAST IRON	A126	CLASS B
19	BONNET TRACK	1	BRONZE	B62	
20	BONNET BOLT	"X"	316 SS (A)	F593	GROUP 2-CW
21	BONNET GASKET	1	RUBBER		CLOTH INSERTED
22	BODY	1	CAST IRON	A126	CLASS B
23	SEAT RING	2	BRONZE	B62	
24	BODY TRACK	1	BRONZE	B62	
25	TOP WEDGE NUT	1	BRONZE	B62	
26	BOTTOM WEDGE	1	BRONZE	B62	
27	DISC W/BRONZE RING	2	CAST IRON	A126	CLASS B
28	DISC PIN	2	BRASS	B21	ALLOY 464
29	SIDE SPREADER	2	BRONZE	B62	
35	TEST PLUG	2	316 SS (A)	F593	GROUP 2-CW
36	PIPE PLUG	1	CAST IRON		
37					
38					
39					
40	WASHER	1	STEEL		PLATED
41	CAP SCREW	1	316 SS	F593	GROUP 2-CW

BY-PASS VALVE PARTS

ITEM	DESCRIPTION	REQ'D	MATERIAL	ASTM	GROUP
42	STUD	"Y"	316 SS	F593	GROUP 2-CW
43	BY-PASS ELL	2	CAST IRON	A126	CLASS B
44	BY-PASS VLV GSKT	2	RUBBER		CLOTH INSERTED
45	ELL GASKET	2	RUBBER		CLOTH INSERTED
46	BY-PASS VALVE	1	SEE BY-PASS VALVE CHART		

VALVE SIZE	TURNS TO OPEN	BY-PASS SIZE	TURNS TO OPEN
16	20±3	3	11
18	234±3	3	11
20	258±3	3	11
24	308±3	4	14.5
30	382±3	4	14.5
36	456±3	6	21

BY-PASS VALVE CHART	
BY-PASS SIZE	SUB ASS'Y DWG NO
3	6215
4	6176
6	6176

POSITION INDICATOR PARTS LIST

ITEM	DESCRIPTION	REQ'D	MATERIAL	ASTM	GROUP
48	GASKET	1	RUBBER		
49	WINDOW	1	PLEXI-GLASS		
50	POINTER	1	BRONZE	B138A	ALLOY 676
51	DECAL	1			
52	HOUSING	1	STEEL		
53	INDICATOR STEM	1	BRONZE		
54	CAP SCREW	6	ST. STEEL		

VALVE SIZE	A	B	C	D	E	F	G	H	J	K	L	M	N	S	U	V	W	X	Y	AA	DD	FF	GG	HH	JJ
16	42.73	4.76(A)	8.03(A)	21.00	4.00	12.50	24.38	12.88	1.88	1.06	0.84	23.50	0.75	16.00	1.44	12.00(A)	8.0	18	20	20.25	16.00	21.25	16	1.12	8.94(A)
18	45.86	4.76(A)	8.03(A)	21.50	4.00	12.50	28.00	14.88	2.00	1.12	0.94	25.00	0.75	18.00	1.56	12.00(A)	8.0	20	20	22.00	18.00	22.75	16	1.25	8.94(A)
20	50.86	4.76(A)	8.03(A)	22.50	4.00	12.50	30.50	16.12	2.12	1.18	1.00	27.50	0.75	20.00	1.69	12.00(A)	8.0	20	20	22.25	20.00	25.00	20	1.25	8.94(A)
24	59.10	4.76(A)	8.03(A)	25.08	4.50	15.00	35.25	18.00	2.38	1.44	1.18	32.00	0.75	24.00	1.88	18.00(A)	11.0	24	24	25.50	24.00	29.50	20	1.38	8.94(A)
30	69.50(A)	4.76(A)	12.00(A)	27.70	4.50	15.00	42.63	21.00	3.00	1.94	1.56	38.75	0.75	30.00	2.13	30.00	11.0	30	30	28.75	30.00	29.50	20	1.38	8.80(A)
36	79.10	4.76(A)	12.00(A)	33.19	5.91	18.50	49.75	23.25	3.24	2.19	1.75	46.00	0.75	36.00	2.50	36.00	13.0	36	36	32.00	36.00	42.75	32	1.62	8.80(A)

*SUPPLIED W/ACTUATOR BUT FINISHED BY MUELLER CO.
** 16IN SIZE ONLY - ASTM B138 ALLOY 675 W/ADDED LEAD FOR MACHINABILITY
18IN - 24IN SIZES - ASTM B584 ALLOY 864
ASTM A242 TYPE 1 OR ASTM A588 GRADE B

DR BY: RAD	1/8/10	UNLESS OTHERWISE NOTED	THIRD ANGLE PROJECTION	C.D. NO.
CHKD: CGR	7/8/10	BREAK CAST CORNERS!	PURCH. FINISH	PART. NO.
ENGR: RWV	7/8/10	BREAK MACH CORNERS!	REF. NO.	SCALE
MFR:		TOLERANCES	ANGULAR	STR. NO.
INFO:		UNLESS OTHERWISE NOTED	LINEAR	
TOOL:		±	ANGULAR	
FBY:		±	ANGULAR	
MAT'L:	NOTED			
DESCR:	16IN - 36IN MUELLER GATE VALVE W/ SPUR GEAR - POS. IND. SIDE BY-PASS - 316 SS FASTENERS			6867

APPROVED
By Charles Graham Hines at 2:01 pm, Nov 02, 2012