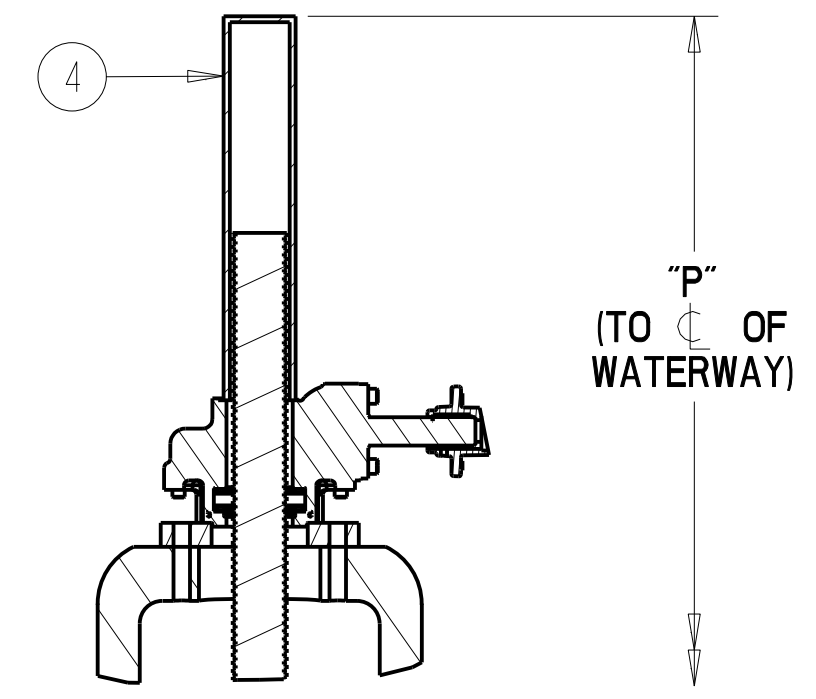
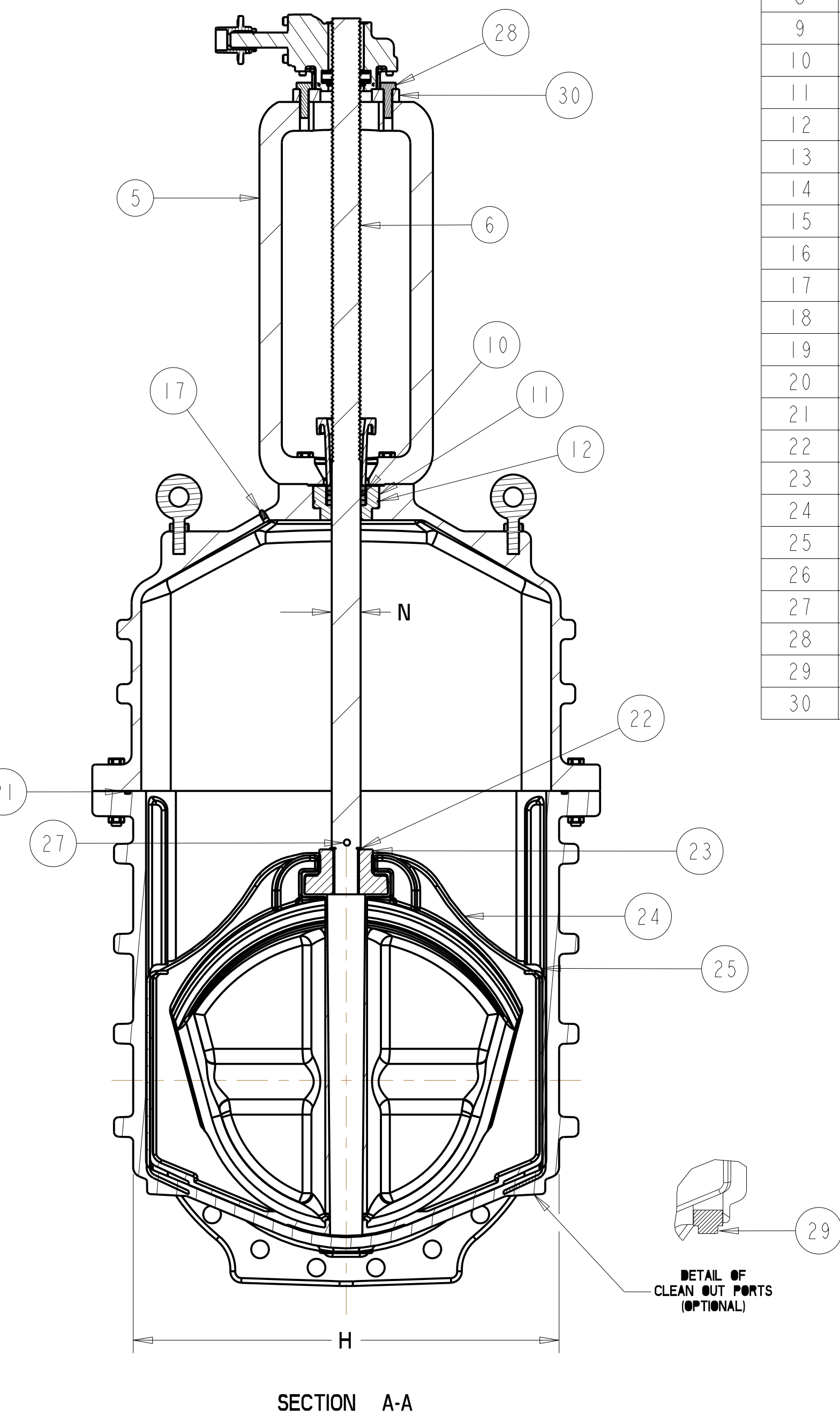
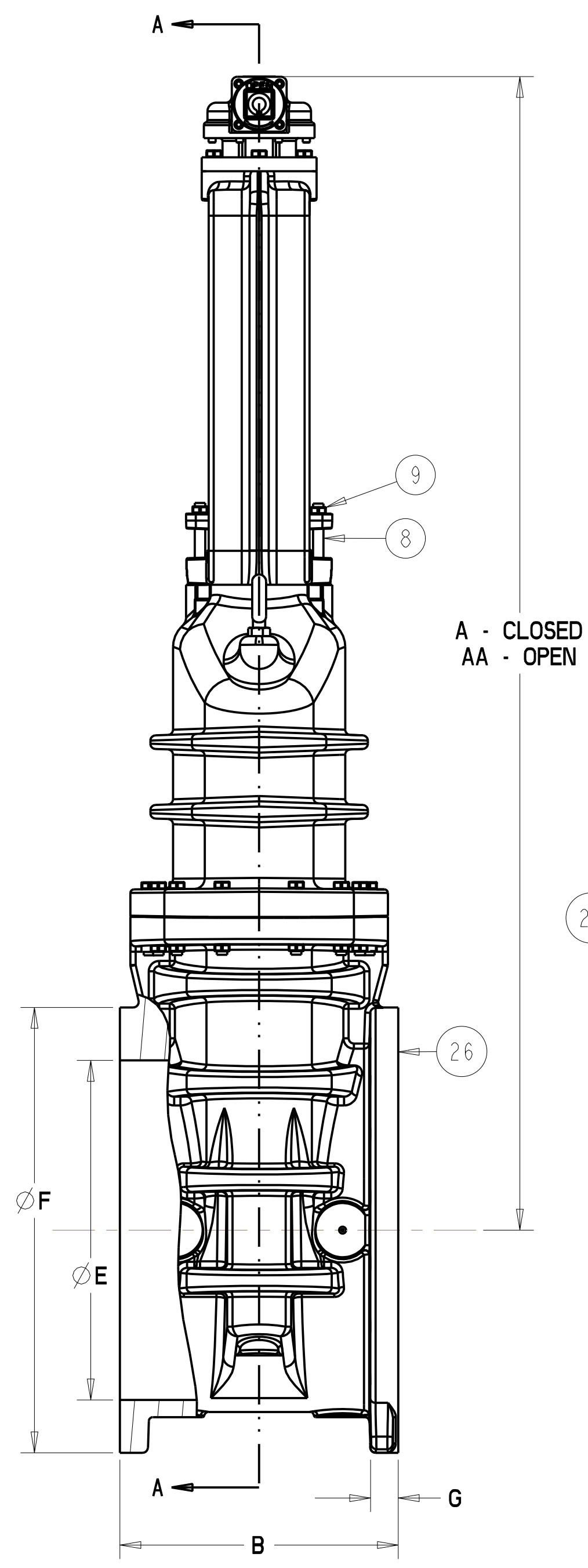
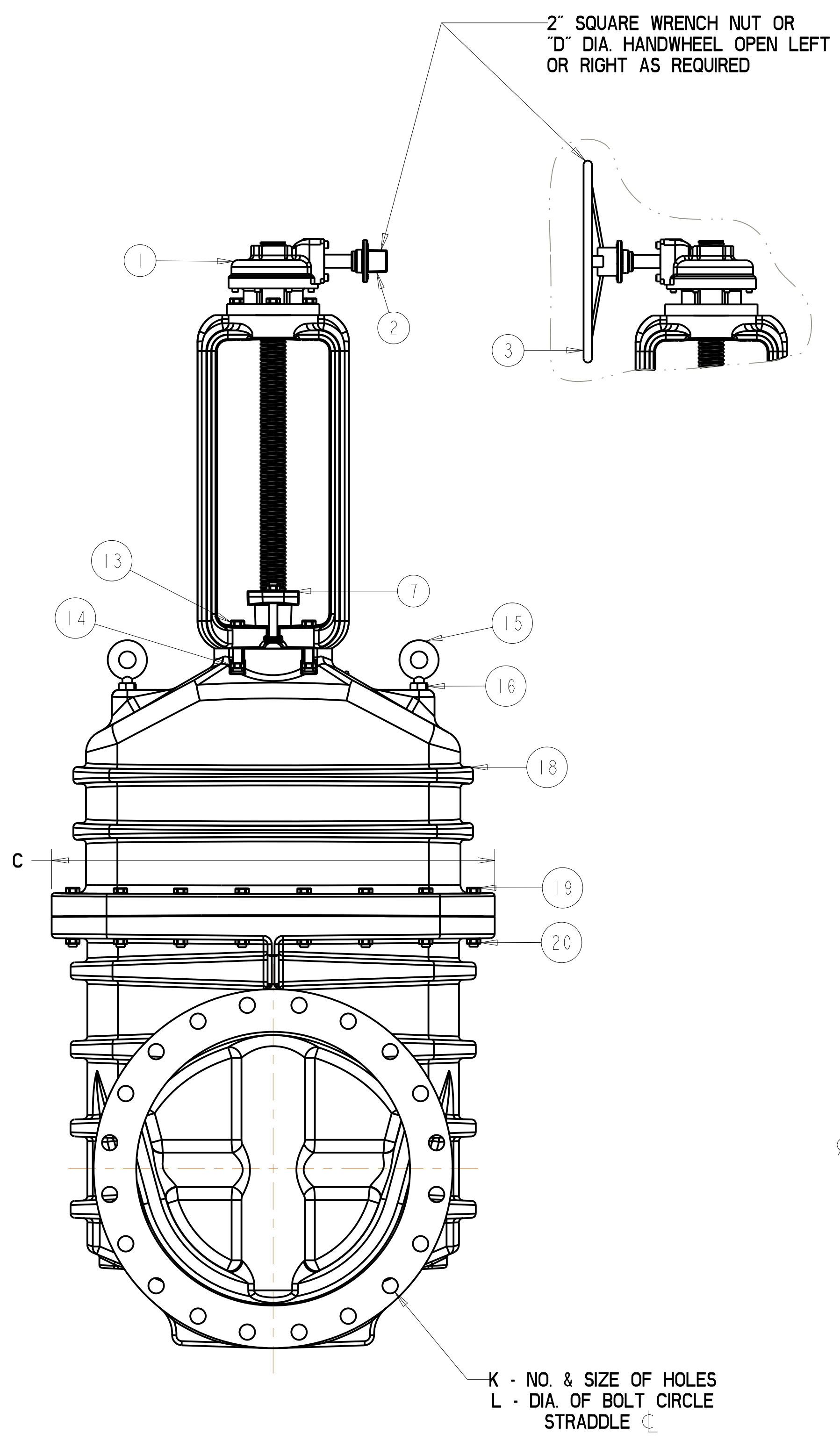


6885 18" - 24" RWGV OS&Y W/BEVEL GEAR OPERATOR



SHOWN WITH OPTIONAL STEM COVER (SHORTENED FOR CLARITY)

PARTS LIST					
ITEM	DESCRIPTION	REQ'D	MATERIAL	ASTM	REMARKS
1	BEVEL GEAR UNIT	1			SEE NOTE 3
2	WRENCH NUT	1	DUCTILE IRON	A536	GRADE 65-45-12
3	HANDWHEEL	1	STEEL		OPTIONAL
4	STEM COVER	1	SEE NOTE 4		OPTIONAL
5	YOKE	1	DUCTILE IRON	A536	GRADE 65-45-12
6	STEM	1	BRONZE	B138	ALLOY 67600
7	GLAND FLANGE	1	DUCTILE IRON	A536	GRADE 65-45-12
8	GLAND BOLT	2	SEE NOTE 2		
9	GLAND NUT	2	SILICON BRONZE	B98	ALLOY B-12
10	STEM PACKING	4	LUBE FLAX		FED HH-P-106c
11	BONNET BUSHING	1	BRONZE	B62	ALLOY C83600
12	BUSHING O-RING	1	RUBBER	D2000	EPDM
13	YOKE BOLT	4	SEE NOTE 2		
14	YOKE NUT	4	SEE NOTE 2		
15	EYEBOLT	2	STEEL		GALVANIZED
16	EYEBOLT NUT	2	SEE NOTE 2		
17	PIPE PLUG	1	304 S. STEEL	A193	GRADE B8
18	BONNET	1	DUCTILE IRON	A536	GRADE 65-45-12
19	BONNET BOLT	"M"	SEE NOTE 2		
20	BONNET NUT	"M"	SEE NOTE 2		
21	BONNET O-RING	1	RUBBER	D2000	EPDM
22	STEM O-RING	1	RUBBER	D2000	EPDM
23	DISC NUT	1	BRONZE	B62	ALLOY C83600
24	DISC	1	SEE NOTE 1		
25	GUIDE CAP	2	CELCON		M90
26	BODY	1	DUCTILE IRON	A536	GRADE 65-45-12
27	PIN	1	303 S. STEEL		
28	ADAPTER BOLT	4	SEE NOTE 2		
29	PIPE PLUG	2	SUPPLIED WHEN TAPPED (OPTIONAL)		
30	ADAPTER PLATE	1	STEEL	A36	

- NOTE:
- RUBBER ENCAPSULATED DUCTILE IRON DISC
RUBBER - EPDM ASTM D2000
DUCTILE IRON ASTM A536 GRADE 65-45-12
 - BOLTS - SAE J429 GRADE 2
NUTS - ASTM A563 GRADE B
FASTENERS - PLATED TO ASTM F1941 CLASS Fe/Zn 12C
 - VALVES WILL BE FURNISHED WITH ONE OF THE LISTED OPERATORS AT THE MANUFACTURER'S DISCRETION
18" - 24" MASTERGEAR OR ROTORK
 - (OPTIONAL) STEM COVER MADE OF CLEAR PVC PIPE (SCH 40) AND PLEXIGLASS CAP

DIMENSIONS FOR RWGV OS&Y - INCHES															
VALVE SIZE	A	AA	B	C	D	E	F	G	H	K	L	M	N	P	TURNS TO OPEN (4:1 RATIO)
18	67.82	87.81	17.00	30.50	18.00	18.38	17.00	1.66	25.13	16 - 1.25	22.75	12	1.88	89.06	228
20	72.56	94.35	18.00	33.75	18.00	20.38	18.00	1.78	28.25	20 - 1.25	25.00	12	2.00	95.60	252
24	82.42	108.19	20.00	39.50	18.00	24.38	20.00	2.00	33.13	20 - 1.38	29.50	16	2.25	109.44	300

APPROVED
By Charles Hines at 10:50 pm, Feb 16, 2012

SR BY: NAF 12/17/10	UNLESS OTHERWISE NOTED	THIRD ANGLE PROJECTION	C.D. NO.
CHKD: CGB 12/17/10	BREAK CAST CORNERS!		PART. NO.
ENGR: RWV 12/17/10	BREAK MACH CORNERS!		
MR: [blank]	TOLERANCES	PURCH. NO.	FINISH
MFG: [blank]	UNLESS OTHERWISE NOTED	REF. NO.	SCALE
TOOL: [blank]	L INCH	STR. NO.	NONE
FBY: [blank]	±		
MAT'L NOTED		DESCR. 18" - 24" RWGV OS&Y W/ BEVEL GEAR OPERATOR	
		NUMBER 6885	