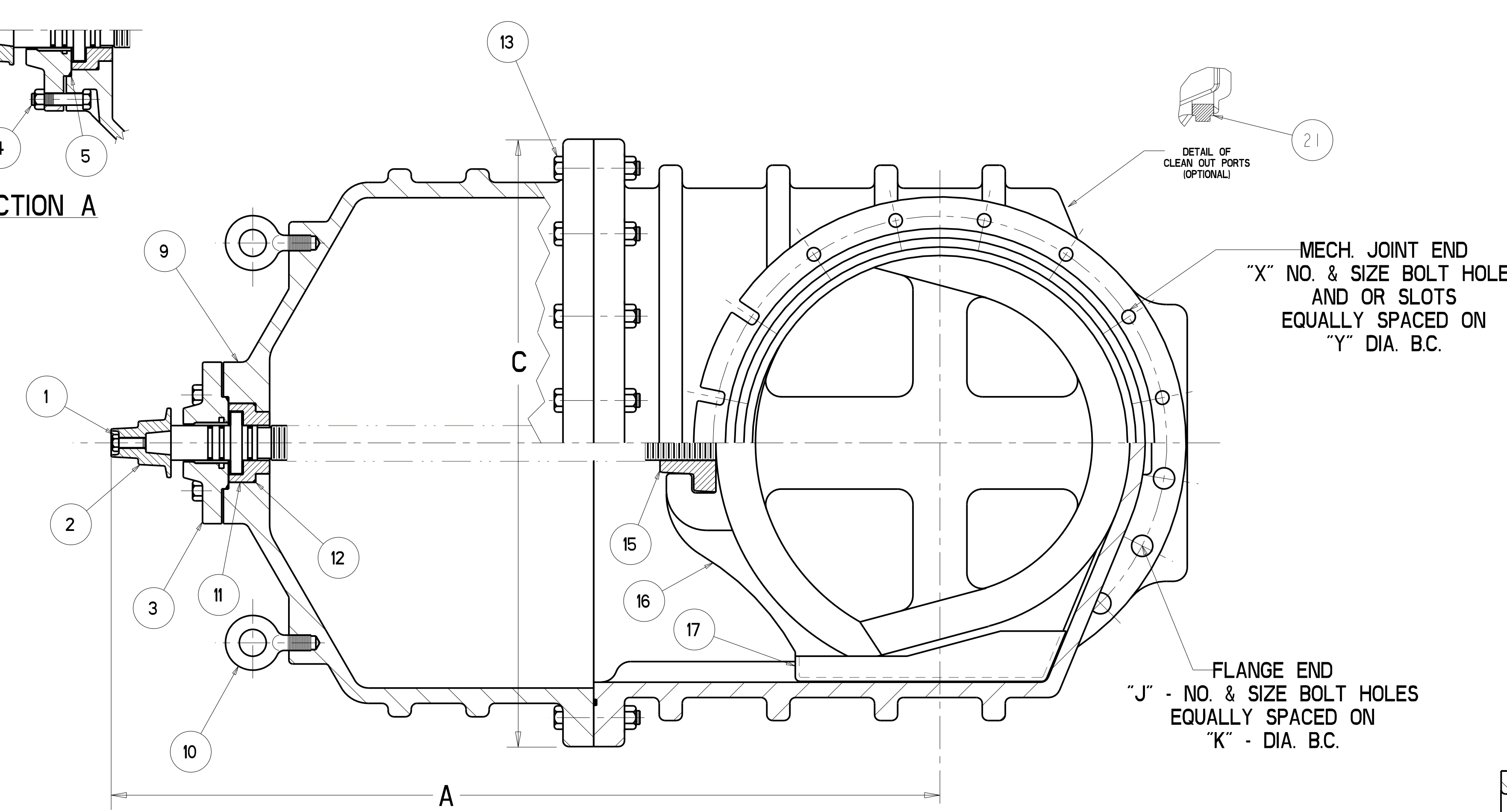
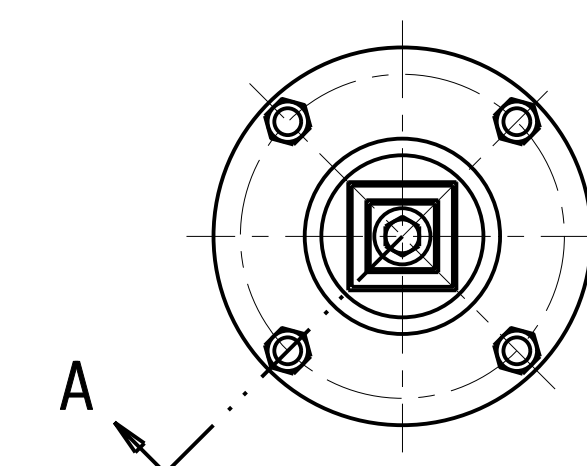
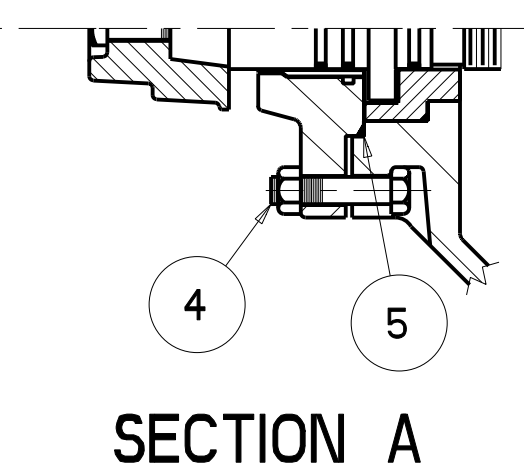


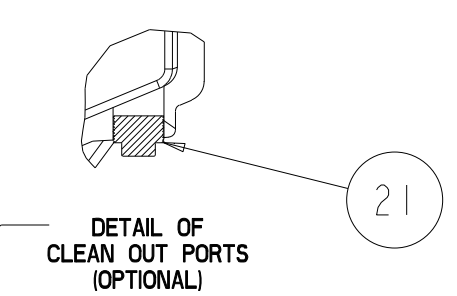
16" - 24" A2361 - ALL END CONFIGS W/ 431 SS STEM AND 304 SS FASTENERS

6887



MECH. JOINT END  
"X" NO. & SIZE BOLT HOLES  
AND OR SLOTS  
EQUALLY SPACED ON  
"Y" DIA. B.C.

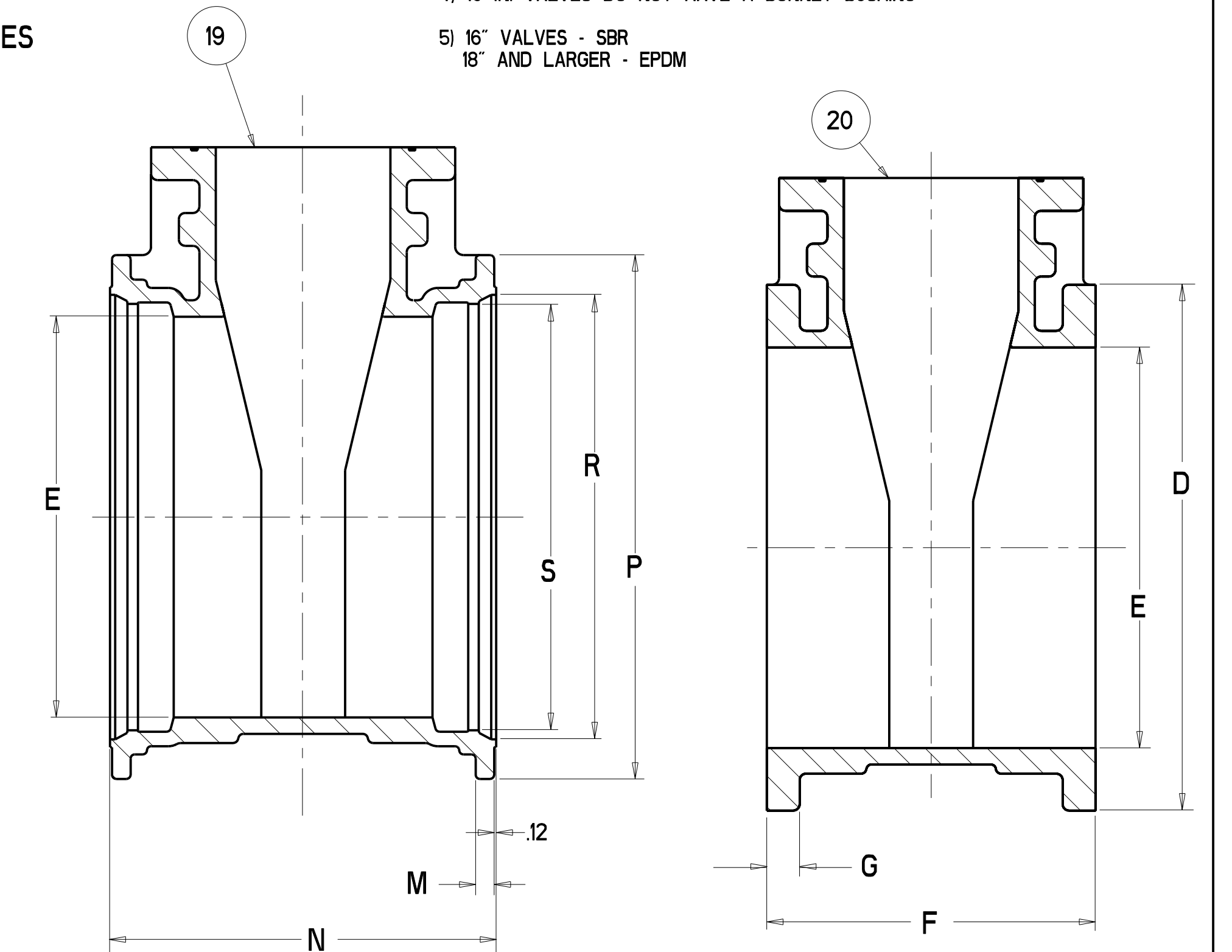
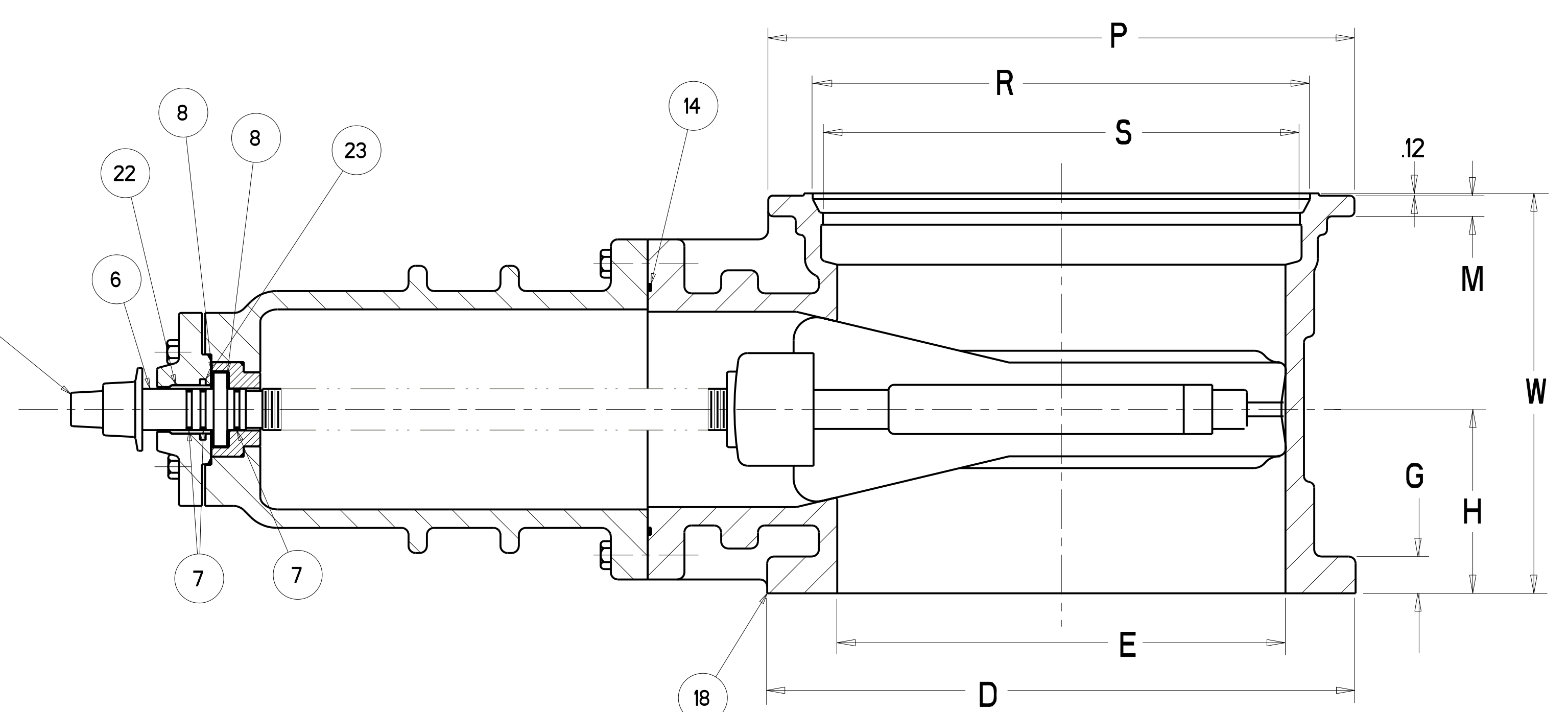
FLANGE END  
"J" - NO. & SIZE BOLT HOLES  
EQUALLY SPACED ON  
"K" - DIA. B.C.



PARTS LIST				
ITEM	DESCRIPTION	REQ'D	MATERIAL	ASTM
1	CAP SCREW	1	304 STAINLESS STEEL	SEE NOTE 2
2	WRENCH NUT	1	CAST IRON (SEE NOTE 3)	A126 CLASS B
3	STUFFING BOX	1	DUCTILE IRON	A536 GR. 65-45-12
4	HEX BOLT & NUT	"AA"	304 STAINLESS STEEL	SEE NOTE 2
5	O-RING	1	RUBBER	D2000 SEE NOTE 5
6	STEM	1	431 STAINLESS STEEL	A276 A473 CONDITION A
7	O-RING	3	RUBBER	D2000 SEE NOTE 5
8	WASHER	2	BRASS	
9	BONNET	1	DUCTILE IRON	A536 GR. 65-45-12
10	EYEBOLT	2	STEEL	GALVANIZED
11	BONNET BUSHING	1	BRONZE	B62 SEE NOTE 4
12	O-RING	1	RUBBER	D2000 SEE NOTE 5
13	HEX BOLT & NUT	"L"	304 STAINLESS STEEL	SEE NOTE 2
14	O-RING	1	RUBBER	D2000 SEE NOTE 5
15	DISC NUT	1	BRONZE	B62
16	DISC	1		SEE NOTE 1
17	GUIDE CAP	2	CELCON	M90
18	BODY FL x MJ	1	DUCTILE IRON	A536 GR. 65-45-12
19	BODY MJ x MJ	1	DUCTILE IRON	A536 GR. 65-45-12
20	BODY FL x FL	1	DUCTILE IRON	A536 GR. 65-45-12
21	PIPE PLUG	2	SUPPLIED WHEN TAPPED, 304 STAINLESS STEEL	
22	STUFFING BOX SLEEVE	1	CELCON M90	
23	O-RING	1	EPDM	D2000

- NOTES:
- RUBBER ENCAPSULATED DUCTILE IRON DISC  
RUBBER - SBR 16" - EPDM (18" AND LARGER) ASTM D2000  
DUCTILE IRON ASTM A536 GRADE 65-45-12
  - BOLTS - ASTM F593 GROUP 1-CW  
NUTS - ASTM F594 GROUP 1-CW
  - MANUFACTURER'S OPTION TO UPGRADE MATERIAL  
TO DUCTILE IRON A536 GRADE 65-45-12
  - 16 IN. VALVES DO NOT HAVE A BONNET BUSHING
  - 16" VALVES - SBR  
18" AND LARGER - EPDM

2" SQUARE WRENCH NUT OR  
"Z" DIA. HANDWHEEL OPEN LEFT  
OR RIGHT AS REQUIRED



VALVE SIZE	A	C	D	E	F	G	H	J	K	L	M	N	P	R	S	W	X	Y	Z	AA	TURNS TO OPEN
16	37.88	26.58	23.50	16.00	16.06	1.59	8.03	16 - .112	21.25	12	1.50	19.75	22.56	18.40	17.28	17.91	8 - .88	21.00	18.00	2	49
18	44.19	30.50	25.00	18.38	17.00	1.69	8.50	16 - .125	22.75	12	1.50	21.00	24.88	20.74	19.64	19.00	12 - .88	23.25	18.00	4	57
20	48.25	33.75	27.50	20.38	18.00	1.78	9.00	20 - .125	25.00	12	1.60	21.50	27.25	22.84	21.74	19.75	14 - .88	25.50	20.00	4	63
24	53.88	39.50	32.00	24.38	20.00	2.00	10.00	20 - .138	29.50	16	1.12	23.50	31.88	27.05	25.94	21.75	16 - .88	30.00	30.00	4	75

**APPROVED**  
By Charles Hines at 3:01 pm, Oct 24, 2011

SR BY: JAB	10/03/11	UNLESS OTHERWISE NOTED	THIRD ANGLE PROJECTION	C.D. NO.
CHKD: HJD	10/03/11	BREAK CAST CORNERS!		PART. NO.
ENGR: CBH	10/03/11	BREAK MACH CORNERS!		
MFR:		TOLERANCES	PURCH: NO	FINISH: ASSY
MFG:		UNLESS OTHERWISE NOTED	REF. NO.	SCALE: NONE
TOOL:		LINEAR	ANGULAR	STR. NO.
FBKT:		±	±	
MAT'L: NOTED		DESCR: 16"-24" A2361, ALL END CONFIGS W/ 431 SS STEM & 304 SS FASTENERS		
		NUMBER		6887