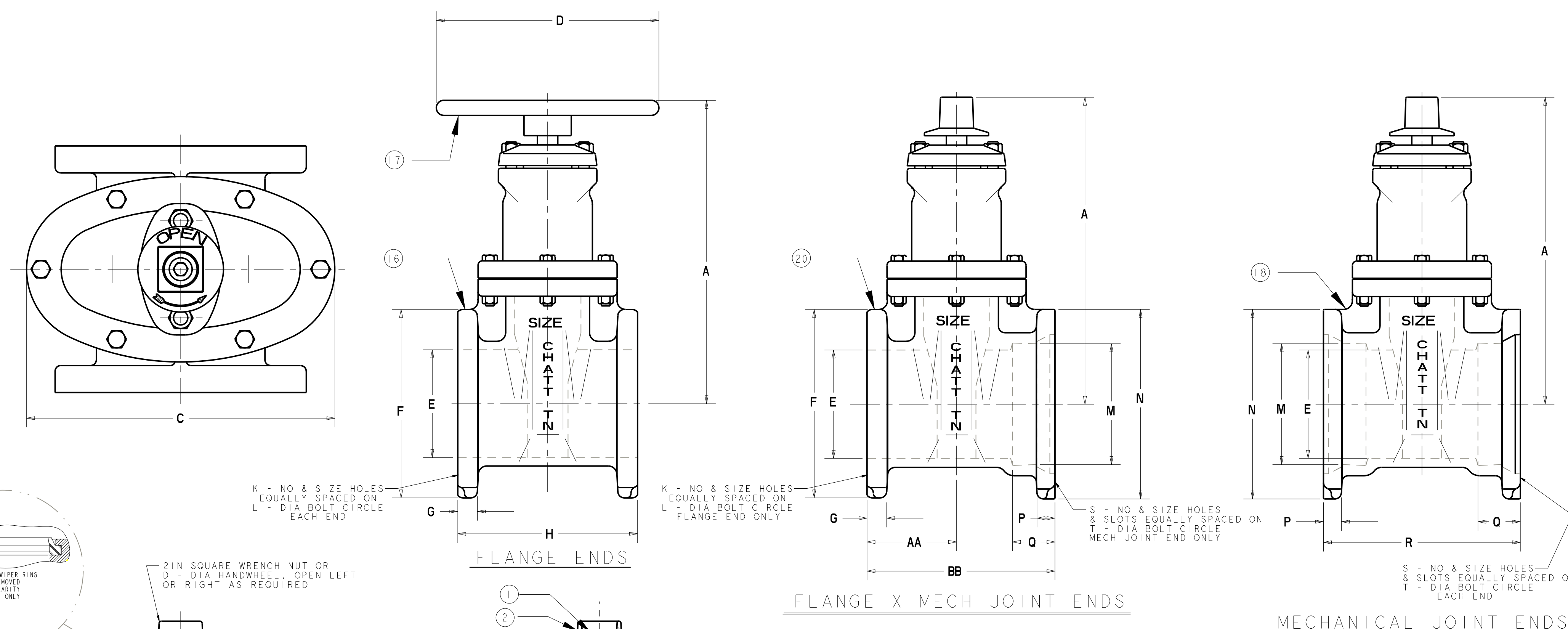
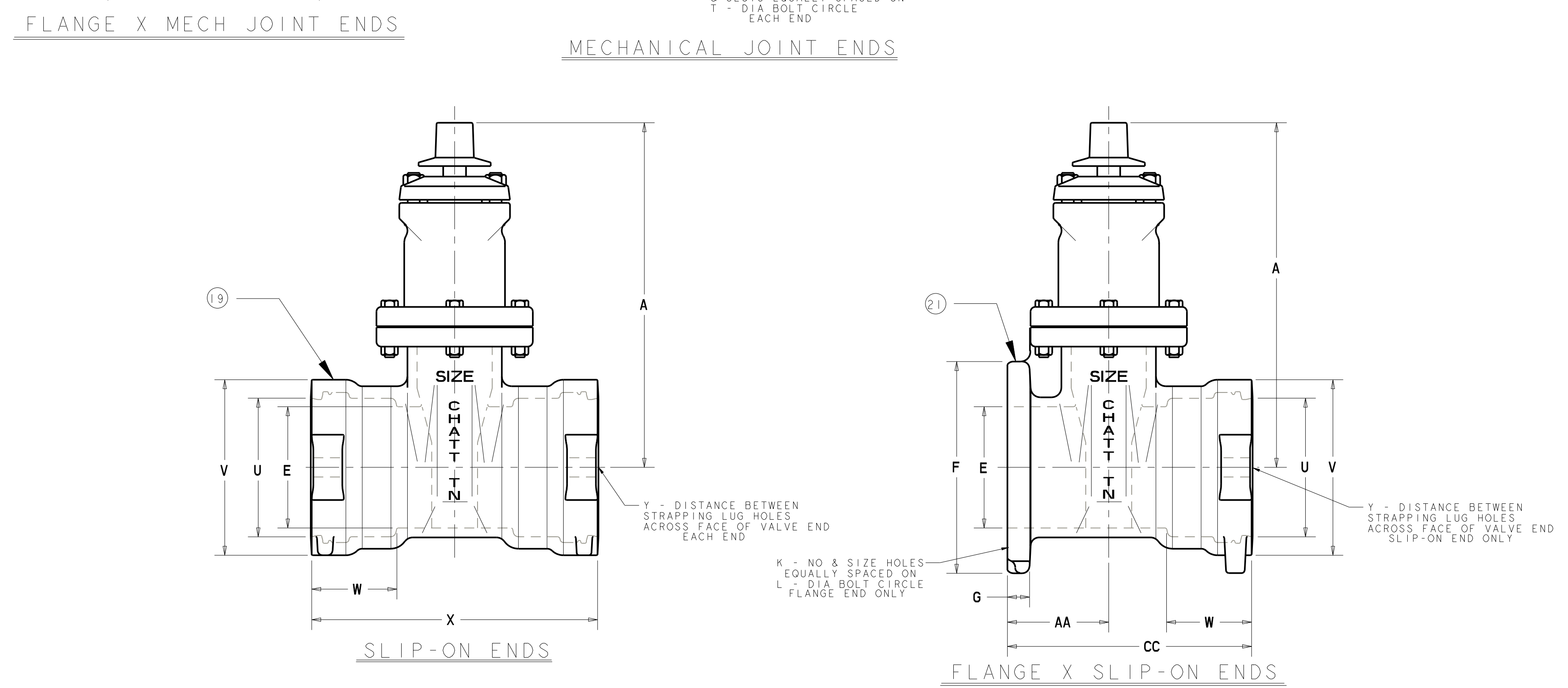
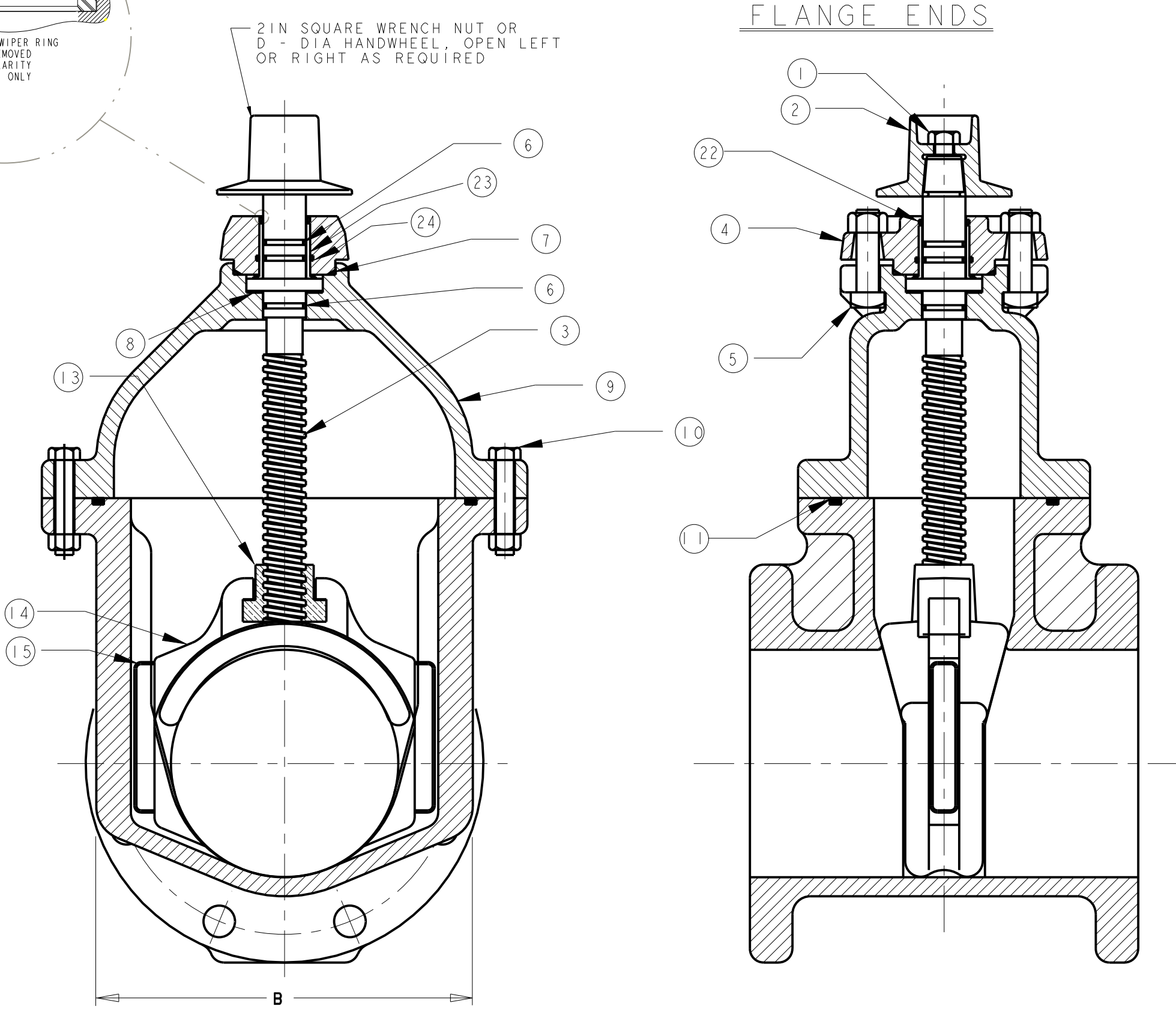
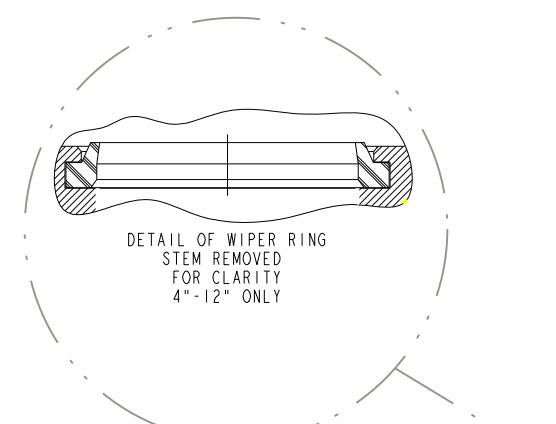


4 IN. - 12 IN. RWGV A2360 - W/316 STAINLESS STEEL STEM & FASTENERS



PART LIST					
ITEM	DESCRIPTION	REQ'D	MATERIAL	ASTM	
1	CAP SCREW	1	316 STAINLESS STEEL	F593	GROUP 2-CW
2	WRENCH NUT	1	CAST IRON (SEE NOTE 2)	A126	CLASS B
3	STEM	1	316 STAINLESS STEEL	A276 A473	
4	STUFFING BOX	1	CAST IRON (SEE NOTE 2)	A126	CLASS B
5	STUFFING BOX BOLTS STUFFING BOX NUTS	2	316 STAINLESS STEEL 316 STAINLESS STEEL	F593 F594	GROUP 2-CW GROUP 2-CW
6	O-RING	3	RUBBER	D2000	R34 (NITRILE)
7	O-RING	1	RUBBER	D2000	R34 (NITRILE)
8	ANTI-FRICTION WASHER	1	CELCON		M90
9	BONNET	1	CAST IRON (SEE NOTE 2)	A126	CLASS B
10	BONNET BOLTS BONNET NUTS	"Z"	316 STAINLESS STEEL 316 STAINLESS STEEL	F593 F594	GROUP 2-CW GROUP 2-CW
11	BONNET GASKET (O-RING)	1	RUBBER	D2000	R34 (NITRILE)
13	DISC NUT	1	BRONZE	B62	ALLOY C83600
14	DISC	1	SEE NOTES 1 & 2		
15	GUIDE CAP	2	CELCON		M90
16	BODY - FLANGE ENDS	1	CAST IRON (SEE NOTE 2)	A126	CLASS B
17	HANDWHEEL	1	CAST IRON (SEE NOTE 2)	A126	CLASS B
18	BODY - MJ ENDS	1	CAST IRON (SEE NOTE 2)	A126	CLASS B
19	BODY - SLIP-ON ENDS	1	CAST IRON (SEE NOTE 2)	A126	CLASS B
20	BODY - FLANGE x MJ END	1	CAST IRON (SEE NOTE 2)	A126	CLASS B
21	BODY - FLANGE x SLIP-ON END	1	CAST IRON (SEE NOTE 2)	A126	CLASS B
22	WIPER RING	1	RUBBER		
23	THRUST SLEEVE	1	CELCON		M90
24	O-RING	1	EPDM RUBBER	D2000	R73

- RUBBER ENCAPSULATED CAST IRON DISC
CAST IRON - ASTM A126 CLASS B
RUBBER - SBR - ASTM D2000
- MANUFACTURER'S OPTION TO UPGRADE MAT'L
TO DI - A536 GR 65-45-12



DIMENSIONS FOR RESILIENT WEDGE VALVE - INCHES (this drawing only)																											
VALVE SIZE	A	B	C	D	E	F	G	H	K	L	M	N	P	Q	R	S	T	U	V	W	X	Y	Z	AA	BB	CC	TURN TO OPEN
4	14.19	8.25	10.79	11.00	4.30	9.00	0.94	9.00	8 - 0.75	7.50	4.90	9.12	1.00	2.50	10.00	4 - 0.88	7.50	4.92	6.88	4.12	12.81	8.62	4	4.50	9.50	10.91	14
6	18.00	10.50	13.50	13.00	6.30	11.00	1.06	10.50	8 - 0.88	9.50	7.00	11.12	1.09	2.50	11.60	6 - 0.88	9.50	7.02	9.12	4.38	14.96	10.62	6	5.25	11.06	12.73	20.5
8	21.50	13.21	16.36	14.00	8.30	13.50	1.19	11.50	8 - 0.88	11.75	9.15	13.37	1.18	2.50	12.68	6 - 0.88	11.75	9.30	11.38	5.62	17.94	13.12	6	5.75	12.09	14.72	26.5
10	25.50	16.48	19.99	16.00	10.30	16.00	1.25	13.00	12 - 1.00	14.25	11.20	15.62	1.25	2.50	14.88	8 - 0.88	14.00	11.38	13.50	5.62	18.50	16.38	8	6.50	13.94	15.75	33
12	28.62	16.83	21.00	16.00	12.30	19.00	1.31	14.00	12 - 1.00	17.00	13.30	17.88	1.31	2.50	15.00	8 - 0.88	16.25	13.33	15.75	5.62	18.70	18.12	8	7.00	14.50	16.35	38.5

MUELLER CONFIDENTIAL

TITLE TO AND OWNERSHIP OF THIS ENGINEERING DATA REMAINS IN MUELLER CO. NO USE IS TO BE MADE OF THIS DATA EXCEPT AS SPECIFICALLY AUTHORIZED BY MUELLER CO. ASSENT ON THE PART OF RECIPIENTS TO THESE CONDITIONS IS PRESUMED.

NOTICE:
UL/FM NOTIFICATION
REQUIRED FOR
ALL CHANGES

APPROVED
By Charles Hines at 10:54 am, Jun 17, 2011

DR BY: HD	DATE: 6/17/11	UNLESS OTHERWISE NOTED	THIRD ANGLE PROJECTION	C.D. NO.
CHKD: JAB	DATE: 6/17/11	BREAK CAST CORNERS!	PURCH. NO. FINISH ASM	PART. NO.
ENGR: CGH	DATE: 6/17/11	BREAK MACH CORNERS!		
MFR:		TOLERANCES	REF. NO.	SCALE
MFG:		UNLESS OTHERWISE NOTED		NONE
TOOL:		LINEAR	ANGULAR	STR. NO.
FBRY:		±	±	
MAT'L: NOTED		DESCR: 4 IN. - 12 IN RWGV A2360 W/316 STAINLESS STEEL STEM & FASTENERS		
Mueller Co.		NUMBER		6910