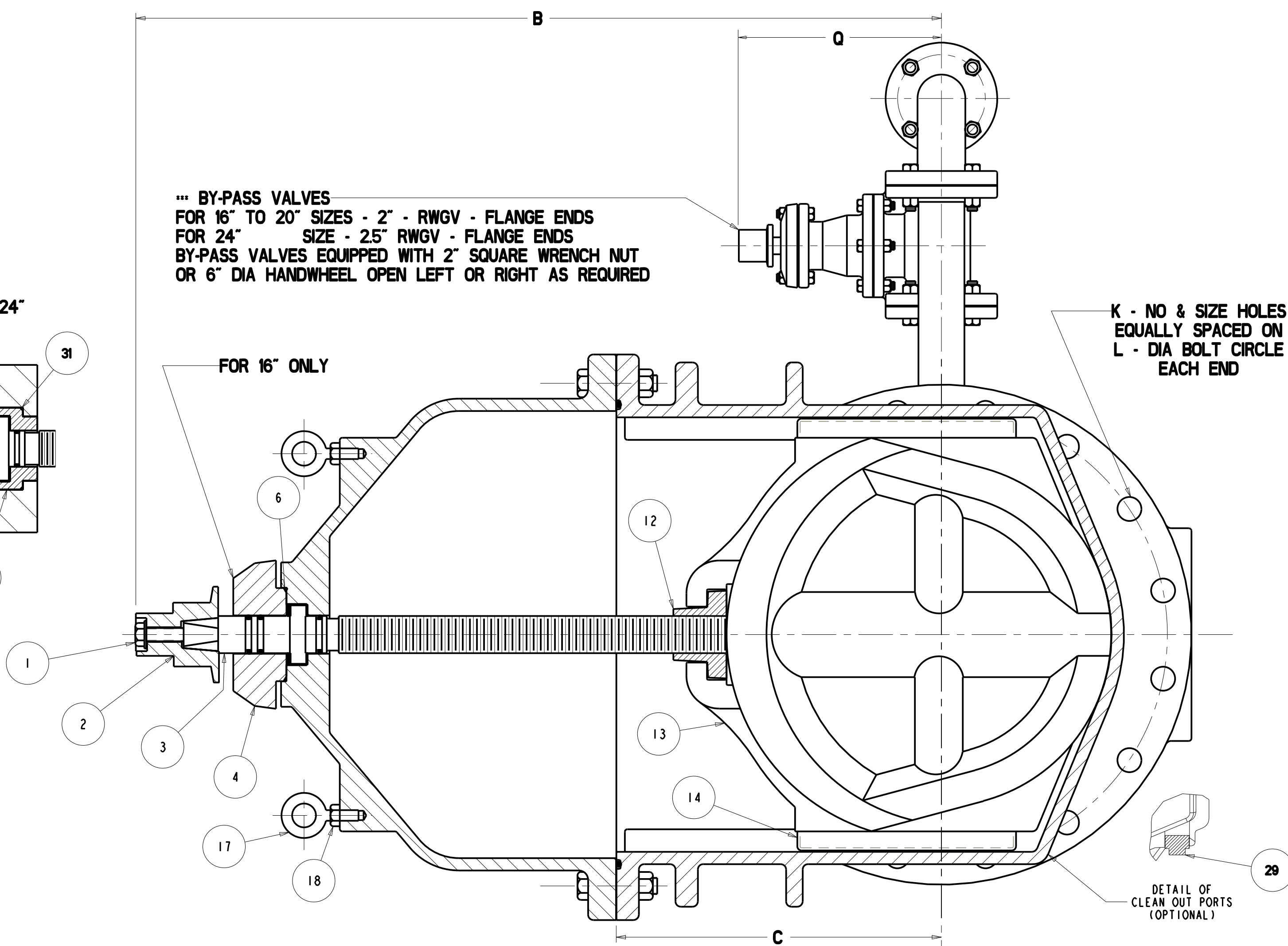
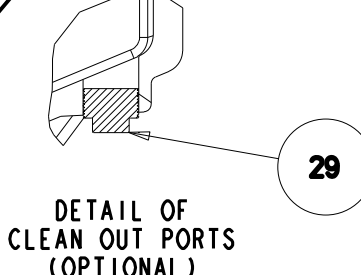


\*\*\* BY-PASS VALVES  
 FOR 16" TO 20" SIZES - 2" - RWGV - FLANGE ENDS  
 FOR 24" SIZE - 2.5" RWGV - FLANGE ENDS  
 BY-PASS VALVES EQUIPPED WITH 2" SQUARE WRENCH NUT  
 OR 6" DIA HANDWHEEL OPEN LEFT OR RIGHT AS REQUIRED



K - NO & SIZE HOLES  
 EQUALLY SPACED ON  
 L - DIA BOLT CIRCLE  
 EACH END



PARTS LIST					
ITEM	DESCRIPTION	REQ'D	MATERIAL	ASTM	GRADE
1	CAP SCREW	1	CARBON STEEL	J429	GRADE 2
2	WRENCH NUT	1	CAST IRON (SEE NOTE 2)	A126	CLASS B
3	STEM	1	BRONZE		SEE NOTE 5
4	STUFFING BOX	1	DUCTILE IRON	A536	GR. 65-45-12
5	"O" RING	3	RUBBER	D2000	SEE NOTE 7
6	"O" RING	1	RUBBER	D2000	SEE NOTE 7
7	ANTI-FRICTION WASHER	2	BRASS		
8	HEX BOLT & NUT	2	CARBON STEEL	SEE NOTE 1	SEE NOTE 1
9	BONNET	1	DUCTILE IRON	A536	GR. 65-45-12
10	HEX BOLT & NUT	"N"	CARBON STEEL	SEE NOTE 1	SEE NOTE 1
11	"O" RING	1	RUBBER	D2000	SEE NOTE 7
12	DISC NUT	1	BRONZE	B62	C83600
13	DISC	1			SEE NOTE 3
14	GUIDE CAP	2	CELCON		M90
15	FLG x FLG BODY	1	DUCTILE IRON	A536	GR. 65-45-12
16	HANDWHEEL	1	CAST IRON	A126	CLASS B
17	EYE BOLT	2	STEEL		ANSI B18.15
18	HEX NUT	2	STEEL	A563	GR. B PLATED
19	SHORT NIPPLE	1	STEEL PIPE		
20	LONG NIPPLE	1	STEEL PIPE		
21	PIPE FLANGE	2	STEEL		
22	HEX BOLT	12	STEEL		SEE NOTE 2
23	PIPE GASKET	"U"	REINFORCED NEOPRENE	D2000	
24	HEX NUT	20	STEEL		SEE NOTE 2
25	PIPE ELBOW	2	CAST STEEL		
26	STUD	4	STEEL		SEE NOTE 2
27	SPACER	1	STEEL		SEE NOTE 4
28	BY-PASS VALVE	1	***		
29	PIPE PLUG	2	SUPPLIED WHEN TAPPED		
30	BONNET BUSHING	1	BRONZE	B62	SEE NOTE 6
31	"O" RING	1	RUBBER	D2000	R73 (EPDM)

- NOTES:  
 1. BOLTS - SAE J429 GRADE 2  
 NUTS - ASTM A563 GRADE A  
 2. MANUFACTURER'S OPTION TO UPGRADE MAT'L  
 TO DI - A536 GR 65 - 45 - 12  
 3. RUBBER ENCAPSULATED DUCTILE IRON DISC  
 DUCTILE IRON - ASTM A536 65-45-12  
 RUBBER - MUELLER RUBBER SPEC R88 (SBR) - 16"  
 RUBBER - MUELLER RUBBER SPEC R97 (EPDM) - 18" - 24"  
 4. NO SPACER ON 16" VALVE  
 5. 16" VALVE - BRONZE ALLOY ASTM B138 ALLOY 67600  
 18" TO 24" VALVES - BRONZE ASTM B584 ALLOY 86400 OR 86500  
 6. 16" VALVES DO NOT HAVE A BONNET BUSHING  
 7. O-RINGS - 16" MUELLER R34 (NITRILE)  
 18"-24" MUELLER R73 (EPDM)

DIMENSIONS FOR RESILIENT WEDGE VALVE - INCHES (this drawing only)

VALVE SIZE	A	B	C	D	E	F	G	K	L	M	N	P	Q	R	S	T	U	TURNS TO OPEN
16	26.58	37.88	15.32	23.50	16.13	109	16.06	16 - 113	21.25	18.00	12	20.00	9.88	8.00	4.50	31.00	4	49
18	30.50	44.19	18.56	25.00	18.38	169	17.00	16 - 125	22.75	18.00	12	21.50	9.88	8.50	5.00	32.50	5	57
20	33.75	48.25	20.27	27.50	20.38	178	18.00	20 - 125	25.00	24.00	12	22.50	9.88	8.50	5.00	33.50	5	63
24	39.50	53.88	22.62	32.00	24.38	200	20.00	20 - 138	29.50	30.00	16	25.06	12.38	10.31	6.00	37.31	5	75

SR BY: JAB	10/04/11	UNLESS OTHERWISE NOTED	THIRD ANGLE PROJECTION	C.D. NO.
CHKD: H D	10/04/11	BREAK CAST CORNERS!		PART. NO.
ENGR: CGH	10/04/11	BREAK MACH CORNERS!		
MR: [ ]		TOLERANCES	PURCH. FINISH	
MFG: [ ]		UNLESS OTHERWISE NOTED	REF. NO.	SCALE
TOOL: [ ]		LINEAR	ANGULAR	25 : 1.00
FBY: [ ]		±	±	STR. NO.

**APPROVED**  
 By Jason Bradley at 3:38 pm, Oct 05, 2011

MAT'L NOTED  
 DESCR: 16"-24" RWGV  
 W/ SIDE BY-PASS (-09 OPTION)  
 NUMBER: 6932