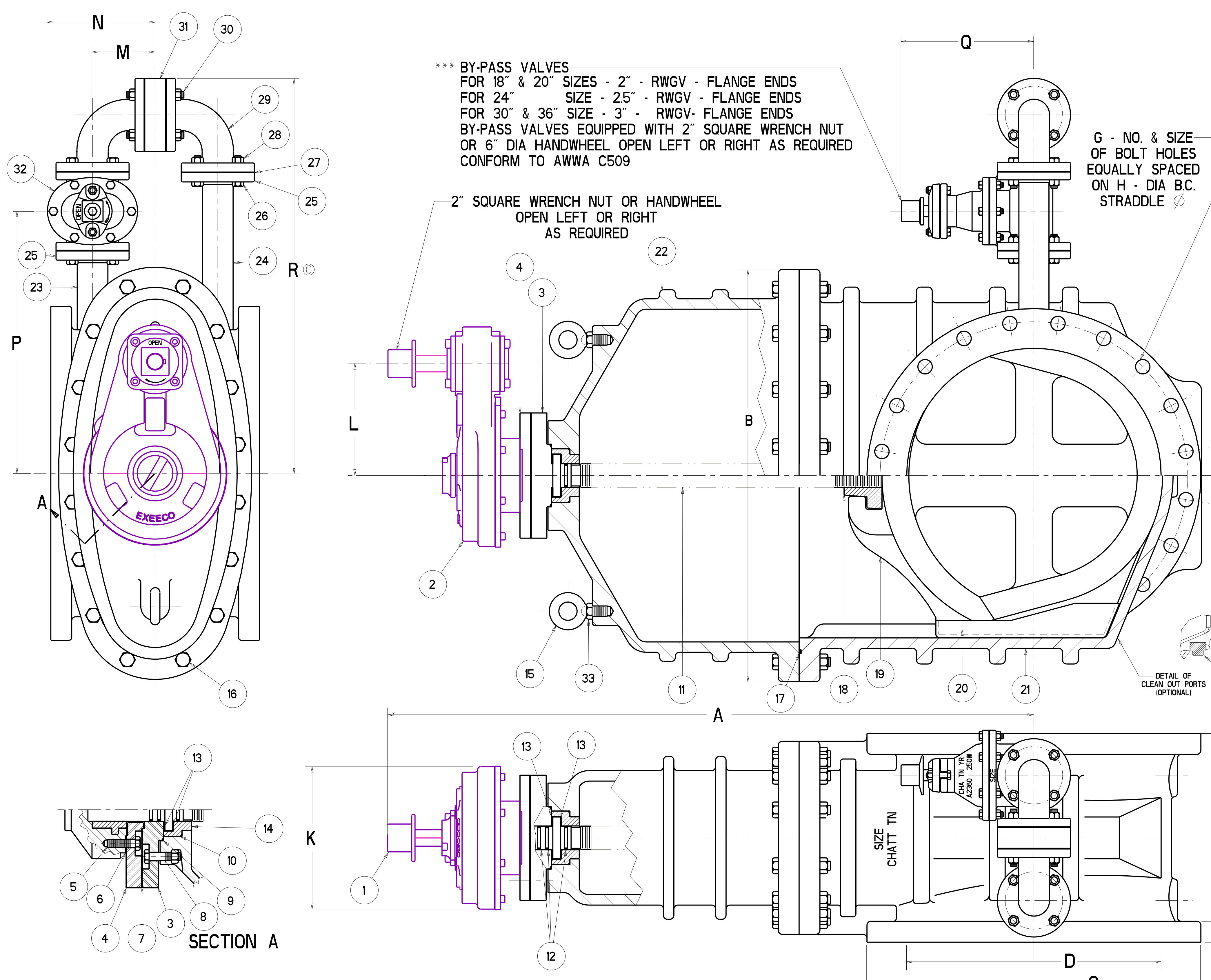
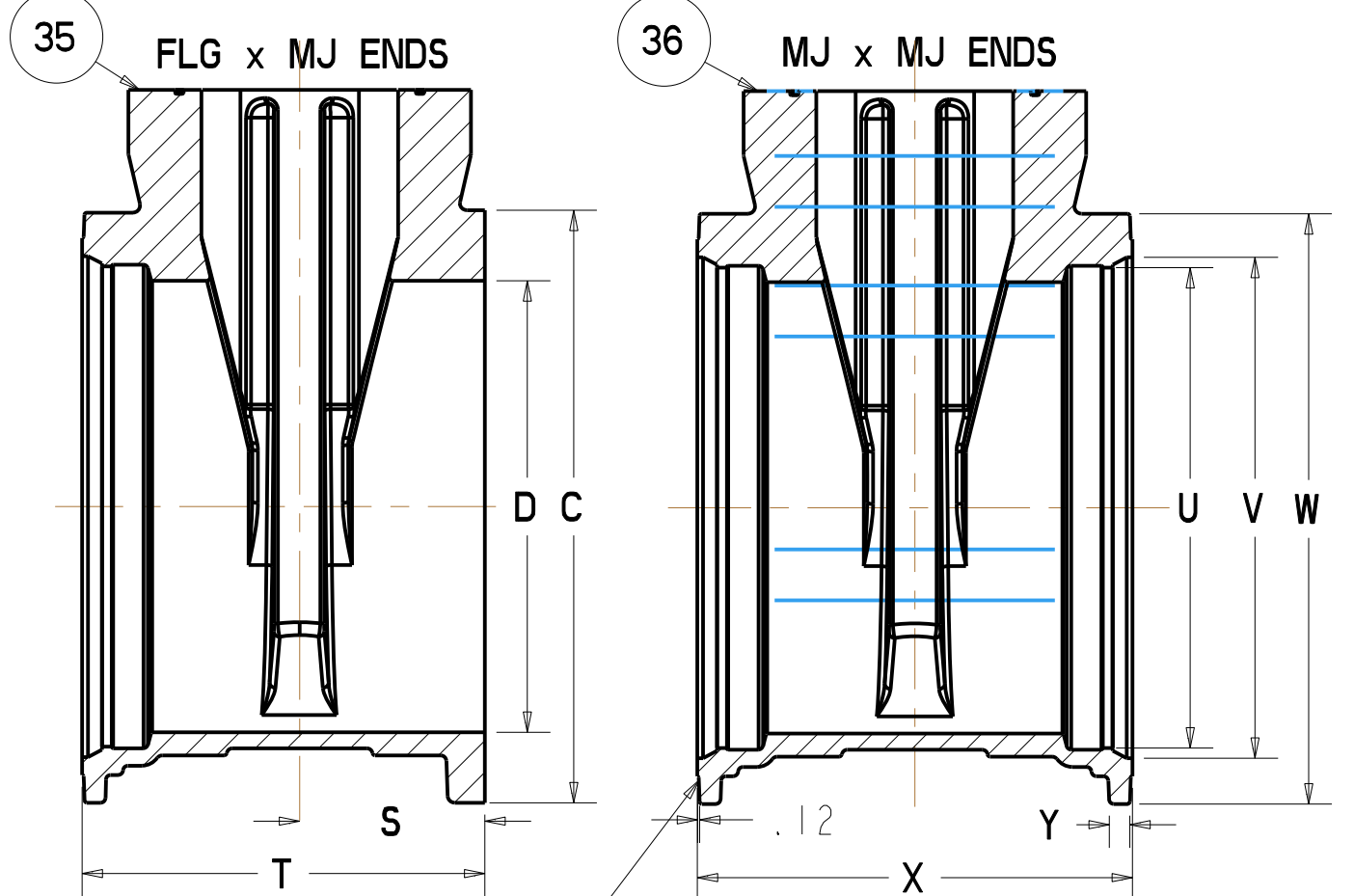


6945 AWWA C515 18" - 36" A2361 RESILIENT WEDGE GATE VALVES - W/ROTOR SPUR GEARING - W/ SIDE BY-PASS & 304 SS FASTENERS



PARTS LIST					
ITEM	DESCRIPTION	REQ'D	MATERIAL	ASTM	CLASS
1	WRENCH NUT	1	CAST IRON (SEE NOTE 4)	A126	CLASS B
2	ROTOR SPUR GEAR IS-5	1	CAST IRON	A48	35B/40B
3	STUFFING BOX	1	HOT ROLLED STEEL	A36	
4	ADAPTER PLATE	1	HOT ROLLED STEEL	A36	
5	SOCKET HEAD SCREW	4	304 SS		SEE NOTE 2
6	GASKET	1	RUBBER	D2000	R51
7	O-RING	1	RUBBER	D2000	EPDM
8	SOCKET HEAD BOLT & NUT	4	304 SS		SEE NOTE 2
9	O-RING	1	RUBBER	D2000	EPDM
10	O-RING	1	RUBBER	D2000	EPDM
11	STEM	1	BRONZE		SEE NOTE 3
12	O-RING	3	RUBBER	D2000	EPDM
13	ANTI-FRICTION WASHER	2	BRASS		
14	BONNET BUSHING	1	BRONZE	B62	ALLOY C83600
15	EYE BOLT	2	STEEL		GALVANIZED
16	HEX BOLT & NUT	"J"	304 SS		SEE NOTE 2
17	O-RING	1	RUBBER	D2000	EPDM
18	DISC NUT	1	BRONZE	B62	ALLOY C83600
19	DISC ENCAPSULATED	1			SEE NOTE 1
20	GUIDE CAP	2	CELCON		M90
21	BODY - FLG X FLG ENDS	1	DUCTILE IRON	A536	GR 65-45-12
22	BONNET	1	DUCTILE IRON	A536	GR 65-45-12
23	SHORT NIPPLE	1	STEEL PIPE		
24	LONG NIPPLE	1	STEEL PIPE		
25	PIPE FLANGE	2	STEEL		
26	HEX BOLT	12	304 SS		SEE NOTE 2
27	PIPE GASKET	5	REINFORCED NEOPRENE	D2000	
28	HEX NUT	20	304 SS		SEE NOTE 2
29	PIPE ELBOW	2	CAST STEEL		
30	STUD	4	304 SS		SEE NOTE 2
31	SPACER	1	STEEL		
32	BY-PASS VALVE	1	***		
33	HEX NUT	2	STEEL	A136	
34	PIPE PLUG	2	SUPPLIED WHEN TAPPED		
35	BODY - FLG X MJ ENDS	1	DUCTILE IRON	A536	GR 65-45-12
36	BODY - MJ X MJ ENDS	1	DUCTILE IRON	A536	GR 65-45-12

VALVE SIZE	A	B	C	D	E	F	G	H	J	K	L	M	N	P	Q	R	S	T	U	V	W	X	Y	AA	BB	URNS TO OPEN 18"-36" RATIO 4:1:1	HANDWHEEL DIAMETER
18	49.64	30.50	25.00	18.38	17.00	1.69	16 - 1.25	22.75	12	10.24	8.00	5.00	8.50	21.50	9.88	32.50	8.50	19.00	19.64	20.74	24.88	21.00	1.06	12 - .88	23.25	234	18.00
20	52.75	33.75	27.50	20.38	18.00	1.78	20 - 1.25	25.00	12	10.24	8.00	5.00	8.50	22.50	9.88	33.50	9.00	19.75	21.74	22.84	27.25	21.50	1.60	14 - .88	25.50	258	18.00
24	59.15	39.50	32.00	24.38	20.00	2.00	20 - 1.38	29.50	16	10.24	8.00	6.00	10.31	25.06	12.38	37.31	10.00	21.75	25.94	27.05	31.88	23.50	1.12	16 - .88	30.00	308	18.00
30	70.83	48.00	38.75	30.38	26.00	2.12	28 - 1.38	36.00	20	10.24	8.00	7.08	11.67	27.70	12.38	43.20	13.00	29.75	32.18	33.47	39.53	33.50	1.25	20 - 1.125	36.88	381	18.00
36	83.14	56.50	46.00	36.38	30.00	2.37	32 - 1.63	42.75	24	10.24	8.00	8.75	13.40	31.75	12.38	47.25	15.00	33.75	38.48	39.77	46.41	37.50	1.45	24 - 1.125	43.75	455	24.00



NOTES:
 1) RUBBER ENCAPSULATED DUCTILE IRON DISC
 RUBBER - EPDM ASTM D2000
 DUCTILE IRON ASTM A536 GRADE 65-45-12
 2) BOLTS - 304 STAINLESS STEEL ASTM F593 GROUP 1CW
 NUTS - 304 STAINLESS STEEL ASTM F594 GROUP 1CW
 3) 18", 20", & 24" VALVES - BRONZE ASTM 584 ALLOY C86400 OR C86500
 30" & 36" VALVES - BRONZE ASTM B694 ALLOY C86200 OR C86700
 4) MANUFACTURER'S OPTION TO UPGRADE MATERIAL TO DUCTILE IRON A536 GRADE 65-45-12

SR BY: HD	11/15/11	UNLESS OTHERWISE NOTED	THIRD ANGLE PROJECTION	C.D. NO.
CHKD: JAB	11/15/11	BREAK CAST CORNERS		PART: NO.
ENGR: CGH	11/15/11	BREAK MACH CORNERS		
MFG:		TOLERANCES	NO	ASSY
FIN:		UNLESS OTHERWISE NOTED	REF. NO.	SCALE
TOOL:		LINEAR	ANGULAR	NONE
FDRT:		±	±	STR. NO.

APPROVED
 By Charles Hines at 4:34 pm, Nov 15, 2011

Mueller Co. AWWA C515 18"-36" A2361 RWGV'S W/ROTOR SPUR GEAR & 304 SS FASTENERS NUMBER 6945